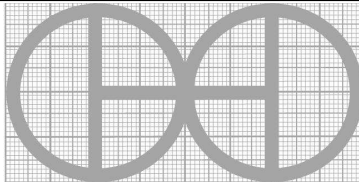
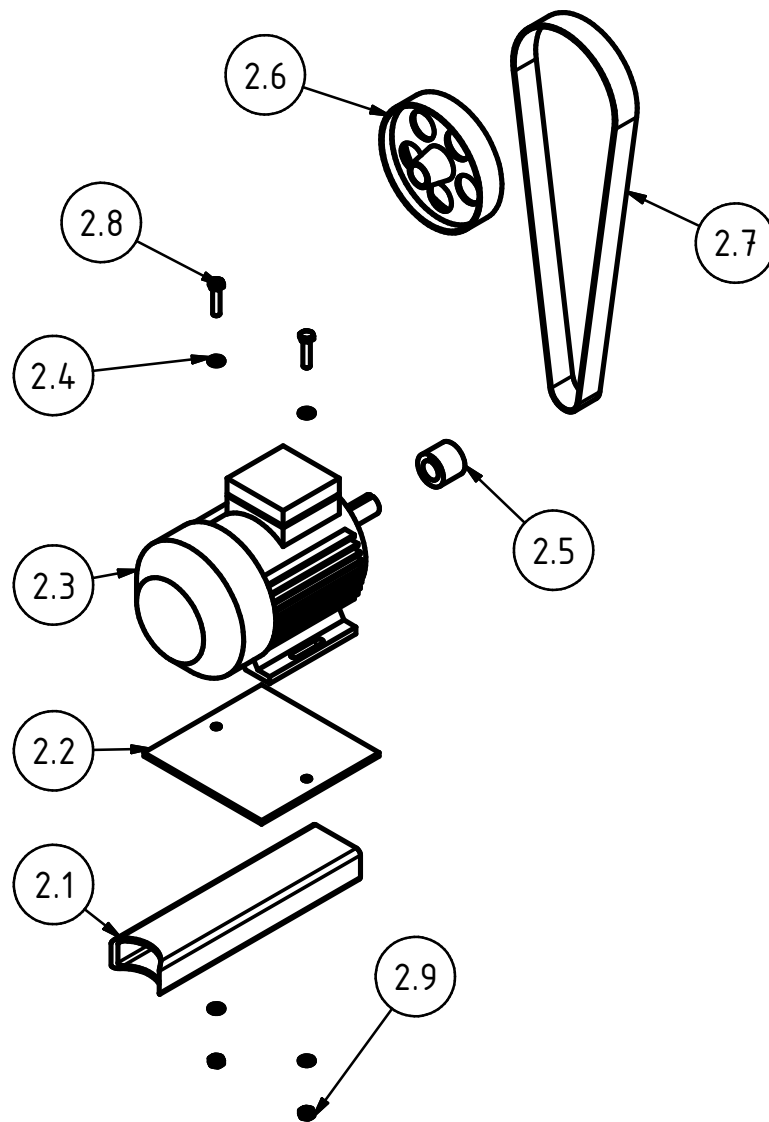
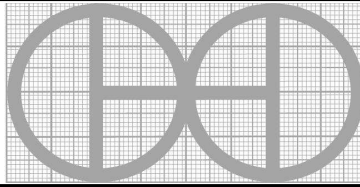


PROJECT Heavy duty drill press made from auto parts	CREATED BY E. Araujo	APPROVED BY A. Morillo	DATE 02/11/2021	VERSION 1.0
PART NAME Motor Base	FILE NAME lhh_hda_heavy_duty_drill_press_made_from_auto.idw			POS 2.0
PUBLISHED BY OHO e.V.		DOC. TYPE Assamby	MATERIAL	QUANTITY
		LICENCE CC-BY-SA 4.0	SCALE 1:7.5	SHEET 25 /70



PROJECT Heavy duty drill press made from auto parts	CREATED BY E. Araujo	APPROVED BY A. Morillo	DATE 02/11/2021	VERSION 1.0	
PART NAME Motor Base	FILE NAME lhh_hda_heavy_duty_drill_press_made_from_auto.idw			POS 2.0	
PUBLISHED BY OHO e.V.			DOC. TYPE Assambly	MATERIAL	QUANTITY
			LICENCE CC-BY-SA 4.0	SCALE 1:10	SHEET 26 /70