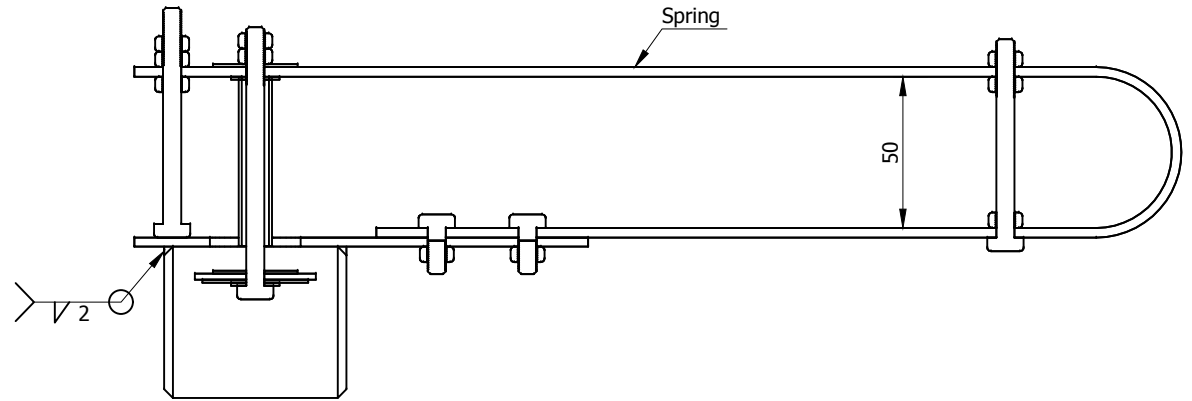
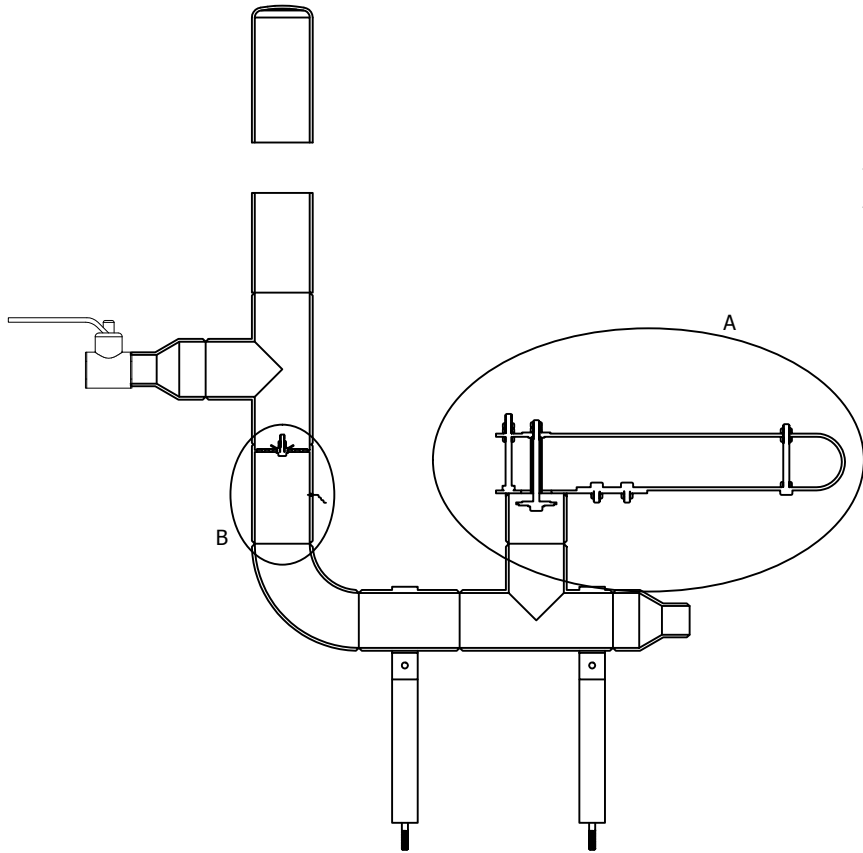
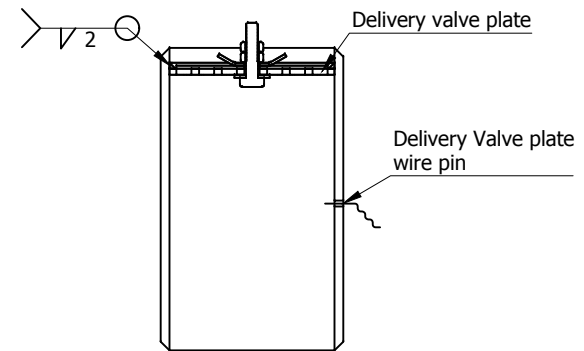


Note: All units in mm.

PROJECT	CREATED BY	APPROVED BY	DATE	VERSION
Hydraulic Ram for Pumping W.	E. Araujo	A. Morillo	13/07/2021	1.0
PART NAME	FILE NAME			POS
3d views	pac_hrw_hydraulic-ram-for-pumping-water.dwg			A1
DEVELOPED BY	REDESIGNED BY	DOC. TYPE	MATERIAL	QUANTITY
Practical Action	OHO e.V.	Assembly		1
		LICENCE	SCALE	SHEET
		CC-BY-SA 4.0	1:10	1/16

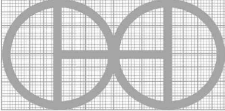


Detail B
Esc.: 1:2.5



Detail A
Esc.: 1:2.5

Note: All units in mm.

PROJECT	CREATED BY	APPROVED BY	DATE	VERSION
Hydraulic Ram for Pumping W.	E. Araujo	A. Morillo	13/07/2021	1.0
PART NAME	FILE NAME			POS
3d views	pac_hrw_hydraulic-ram-for-pumping-water.dwg			A1
DEVELOPED BY	REDESIGNED BY	DOC. TYPE	MATERIAL	QUANTITY
		Assembly		1
Practical Action	OHO e.V.	LICENCE	SCALE	SHEET
		CC-BY-SA 4.0	1:7.5	2/16