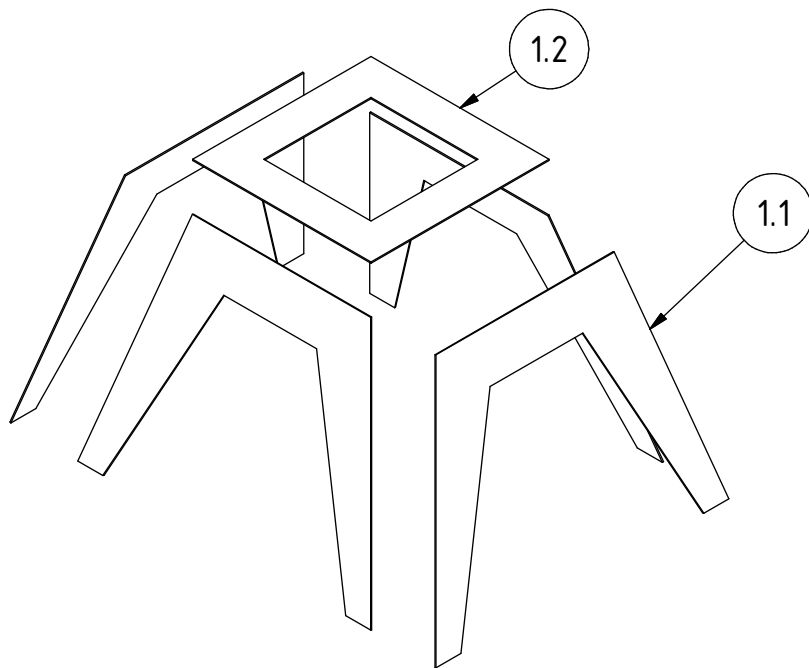
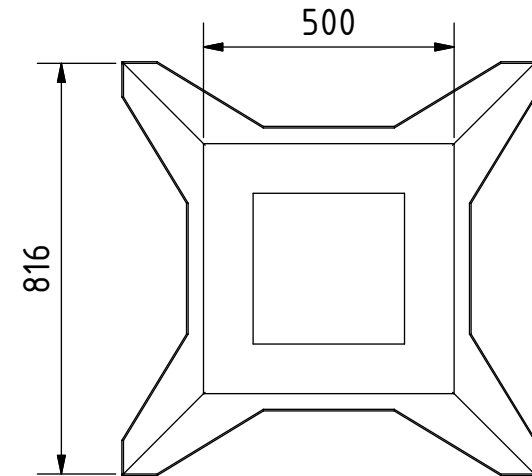
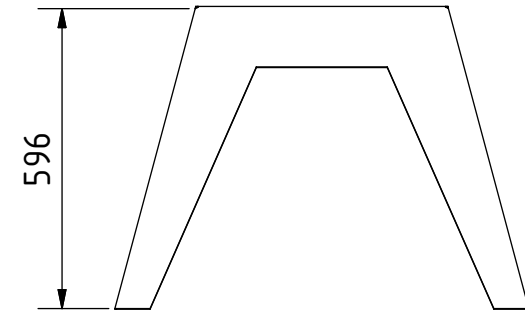
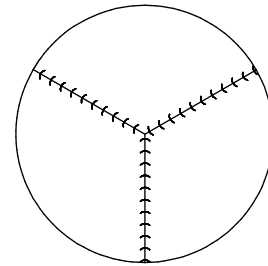



A (1 : 4)



Note: All units in mm.

| | | | | |
|--|--------------|-------------|------------|----------|
| PROJECT | CREATED BY | APPROVED BY | DATE | VERSION |
| Circular Table Saw | J. Zeron | A. Morillo | 14/08/2021 | 1.0 |
| PART NAME | FILE NAME | | | POS |
| Base | Base.ipn | | | 1.0 |
| PUBLISHED ON | DOC. TYPE | MATERIAL | | QUANTITY |
|  OPEN HARDWARE OBSERVATORY Free Blueprints for Sustainable Development | Assembly | | | |
| | LICENCE | SCALE | | SHEET |
| www.oho.wiki | CC-BY-SA 4.0 | 1:15 | | 5 /37 |