

4

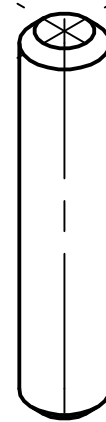
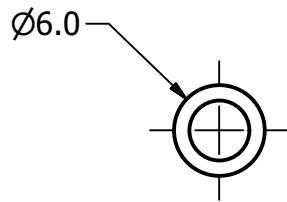
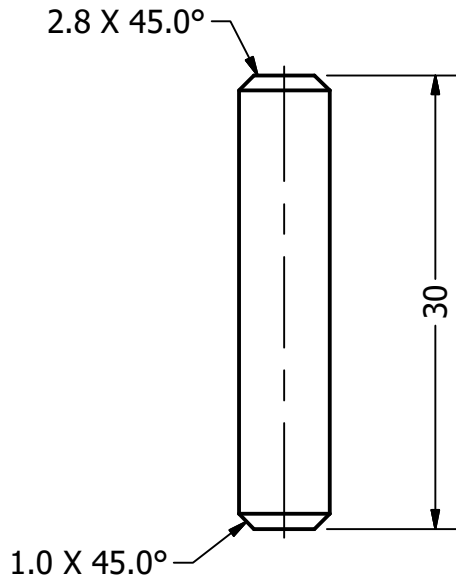
3

2

1


B

B



A

A

Project Crown cap machine		Created by D. Mosquera	Approved by D. Jeager		
Part Name Split-pin		Part Code 2.4	Document Type part	Material Steel ASTM A36	
Redesigned by  OPEN SOURCE ECOLOGY GERMANY	Original drawing from Practical ACTION	License CERN-OHL	File Name oseg_ccm_2.4_split-pin.ipt	Version 1.0	Quantity 1
			Scale 2:1	Sheet 17	Date 16.11.20

4

3

2

1