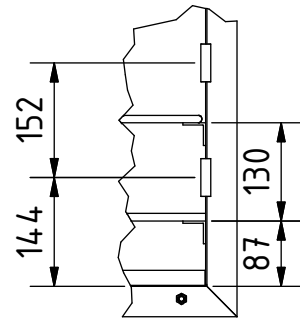
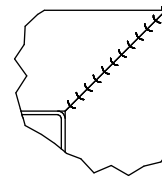


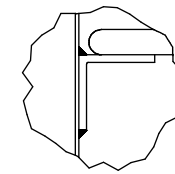
D (1 : 10)



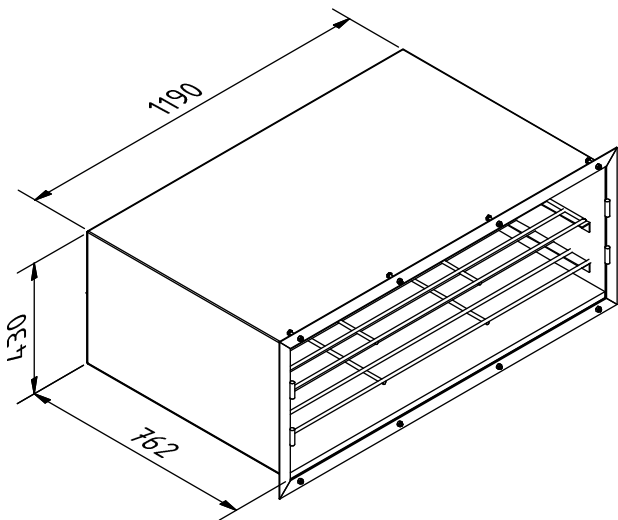
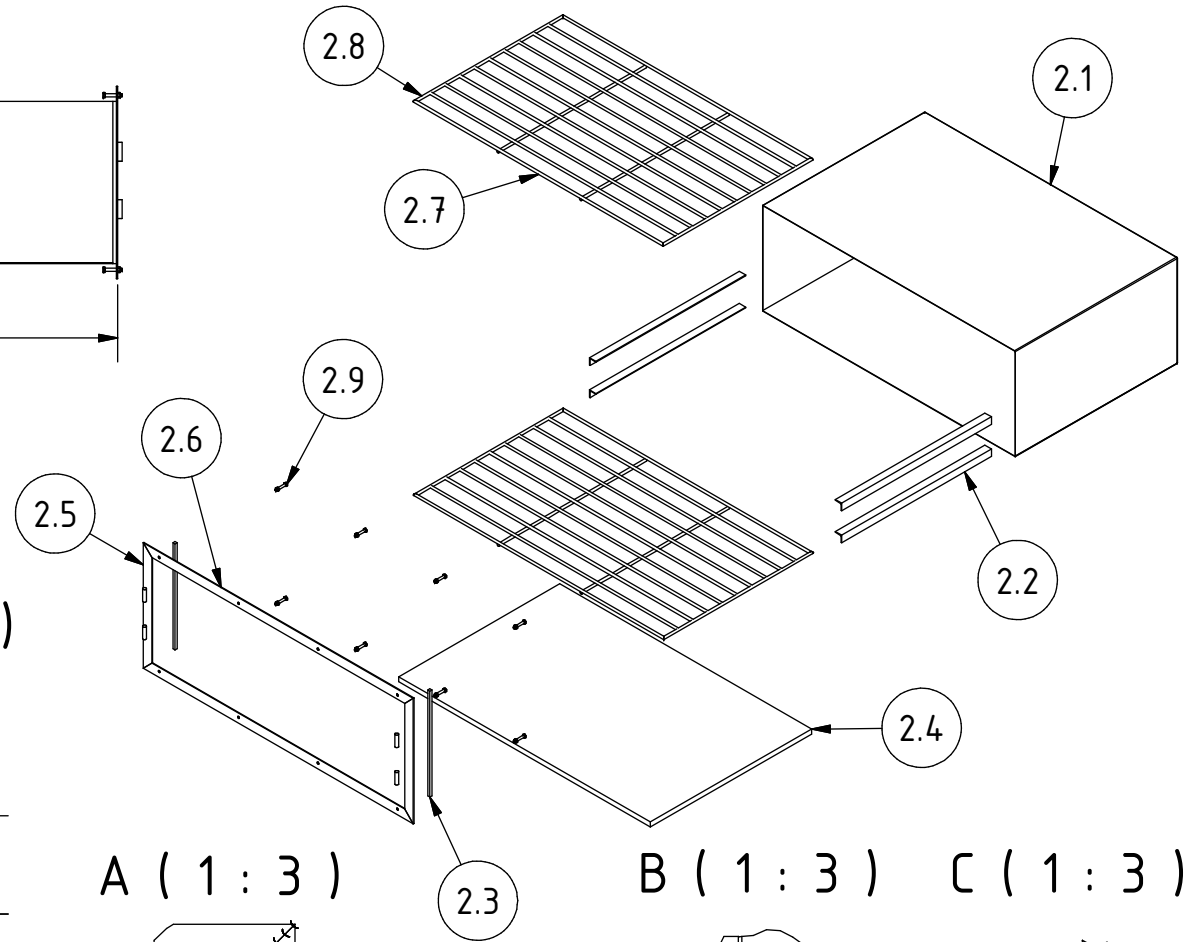
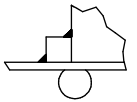
A (1 : 3)



B (1 : 3)



C (1 : 3)



Note: All units in mm.

PROJECT	CREATED BY	APPROVED BY	DATE	VERSION
Rocket Bread Oven	D. Rodriguez	A. Morillo	25/10/2021	1.0
PART NAME	FILE NAME			POS
Baking chamber	Baking chamber.ipn			2.0
DEVELOPED BY	REDESIGNED BY	DOC. TYPE	MATERIAL	QUANTITY
		Assembly		1
GIZ		LICENCE	SCALE	SHEET
		CC-BY-SA 4.0	1:20	16 /36