
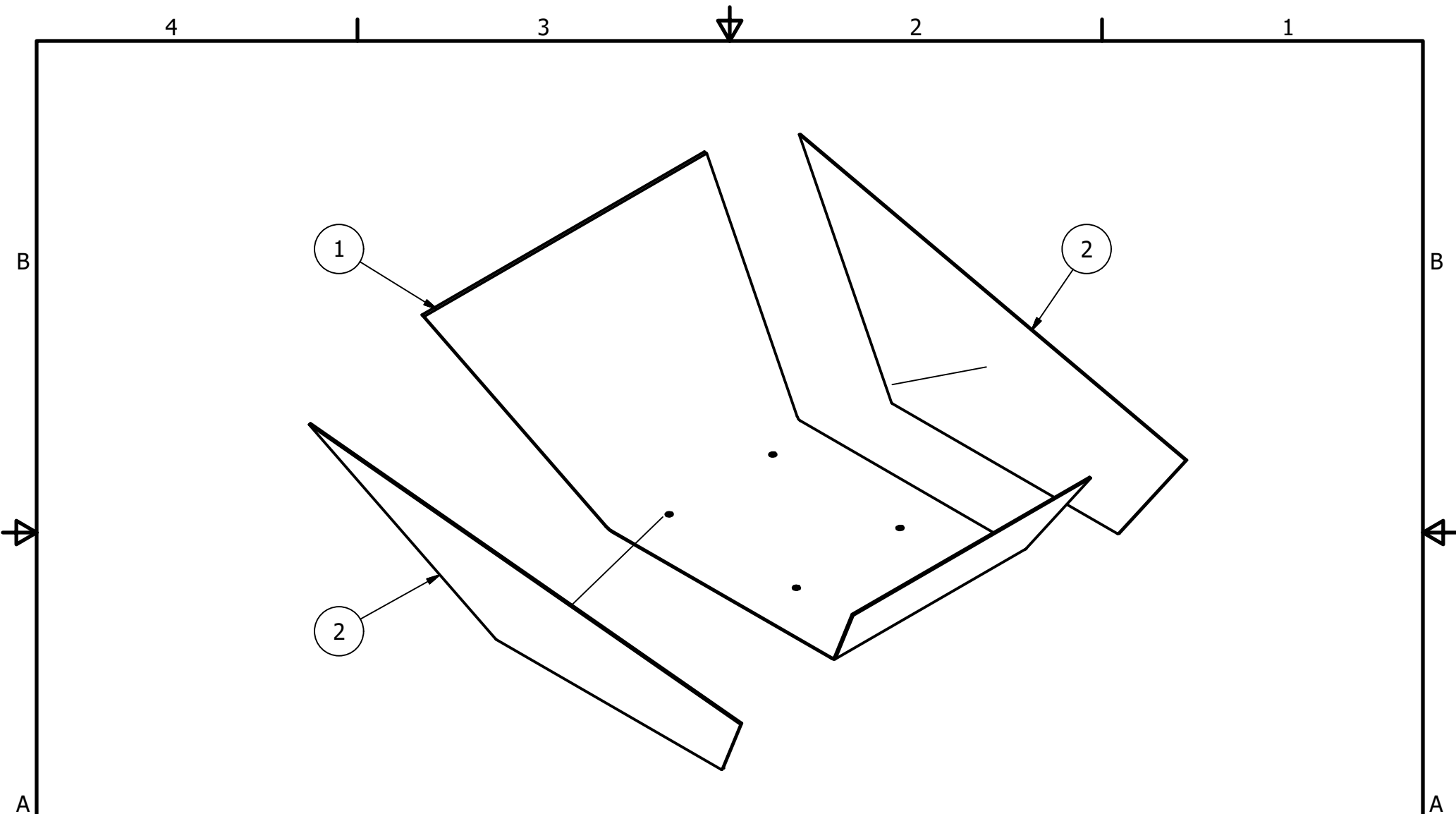




Project Wheel Barrow		Created by D. Mosquera		Approved by D. Jeager		
Part Name Hopper		Part Code 3		Document Type Assamby		Material
Redesigned by  Open Source Ecology e.V. Knobelsdorfstr. 22 14059 Berlin www.ose-germany.de +49 (0) 30 / 92282426		Original drawing from Practical ACTION		License CERN-OHL		File Name oseg_wb_3_hopper.iam
				Scale 1:8		Version 1.0
						Quantity
						Date 11.11.20
						Sheet 16



Project Wheel Barrow		Created by D. Mosquera	Approved by D. Jeager		
Part Name Hopper		Part Code 3	Document Type Assambly	Material	
Redesigned by  Open Source Ecology e.V. Knobelidorfstr. 22 14059 Berlin www.ose-germany.de +49 (0) 30 / 92282426	Original drawing from 	License CERN-OHL	File Name oseg_wb_3_hopper.ipn	Version 1.0	Quantity
			Scale 1:8	Sheet 17	Date 11.11.20