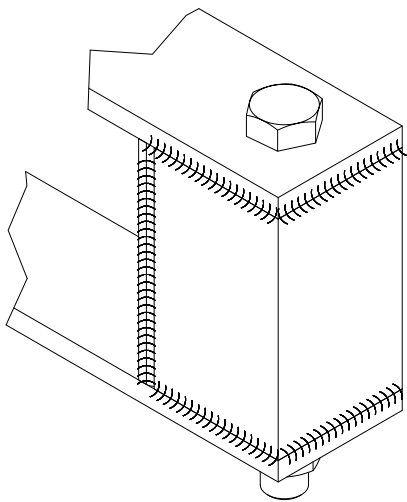
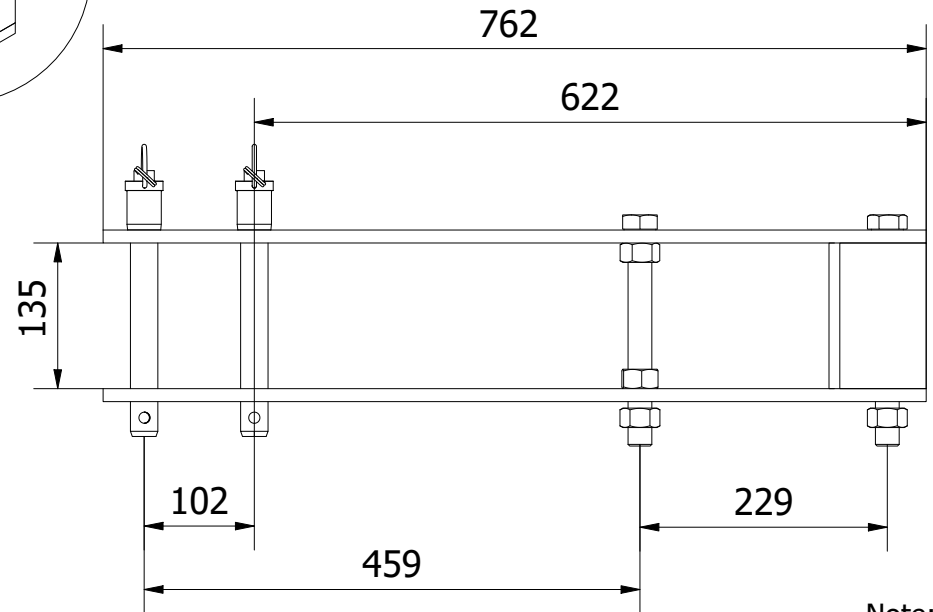



H (0.5/1)

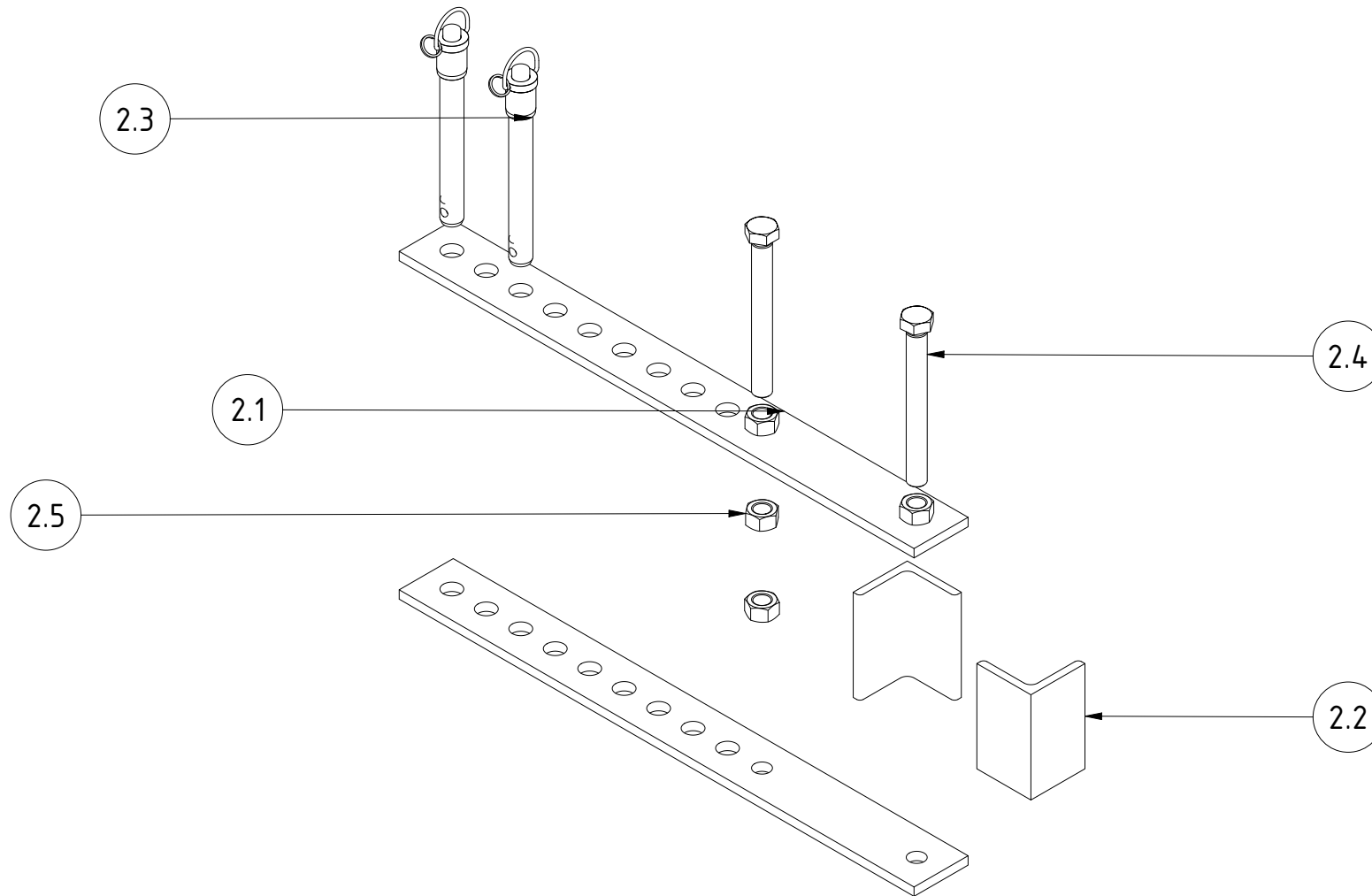



G (0.29 : 1)



Note: All units in mm.

PROJECT	CREATED BY	APPROVED BY	DATE	VERSION
Bench Top Bender	J. Rosciano	A. Morillo	10/08/2021	1.1
PART NAME	FILE NAME			POS
Fixed arm assembly	Fixed arm assembly.iam			2.0
PUBLISHED BY	DOC. TYPE	MATERIAL		QUANTITY
 OPEN HARDWARE OBSERVATORY Free Blueprints for Sustainable Development	Assembly			1
	LICENCE	SCALE		SHEET
OHO e.V.	CC-BY-SA 4.0	1/7		12 /18



PROJECT	CREATED BY	APPROVED BY	DATE	VERSION
Bench Top Bender	J. Rosciano	A. Morillo	10/08/2021	1.1
PART NAME	FILE NAME	POS		
Fixed arm assembly	Fixed arm assembly.ipn	2.0		
PUBLISHED BY	DOC. TYPE	MATERIAL	QUANTITY	
 OPEN HARDWARE OBSERVATORY Free Blueprints for Sustainable Development	Assembly		1	
	LICENCE	SCALE	SHEET	
OHO e.V.	CC-BY-SA 4.0	1/7	13 /18	