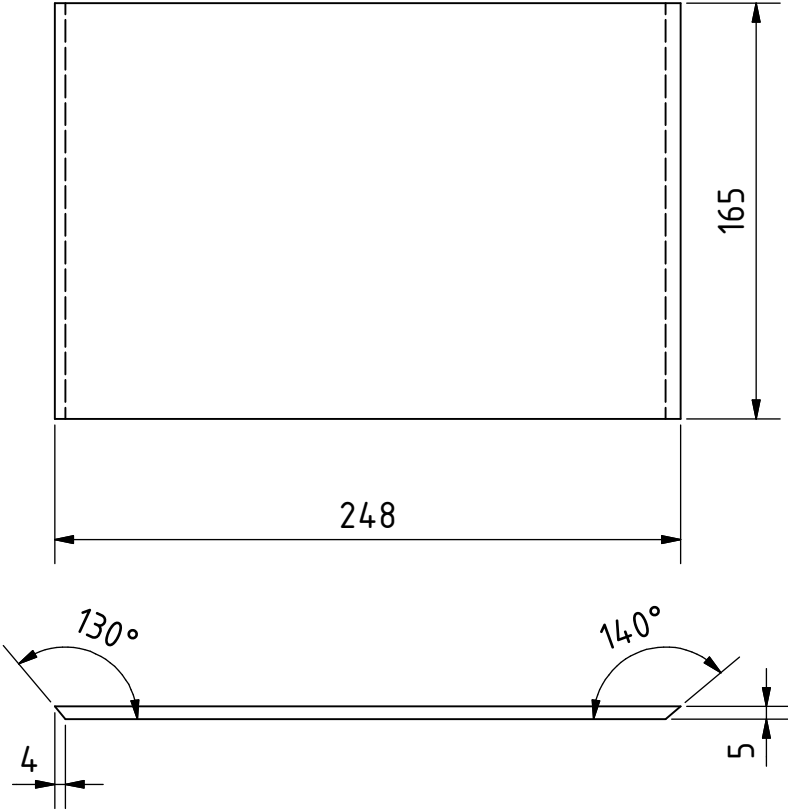
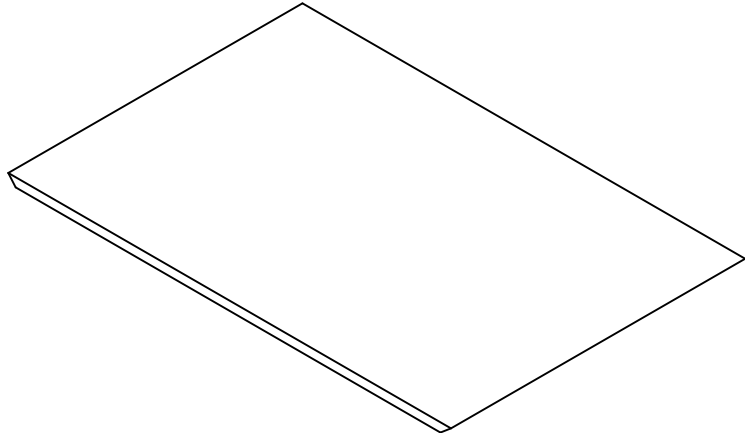


PLAN ( 1 : 3 )



Note: All units in mm.

PROJECT Hand Operated Winnower for groundnut		CREATED BY J. Zeron	APPROVED BY A. Morillo	DATE 09/08/2021	VERSION 1.0
PART NAME Panel B		FILE NAME Panel B.ipt			POS 4.2
DEVELOPED BY Tropical Products Institut	REDESIGNED BY OHO e.V.	DOC. TYPE Part	MATERIAL Plywood	QUANTITY 1	
		LICENCE CC-BY-SA 4.0	SCALE 1:3	SHEET 33 /45	