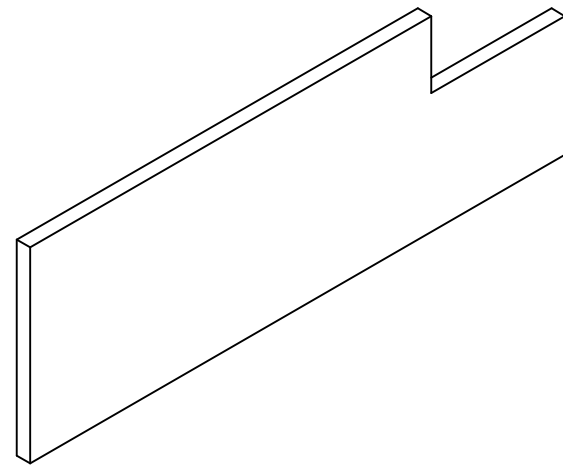
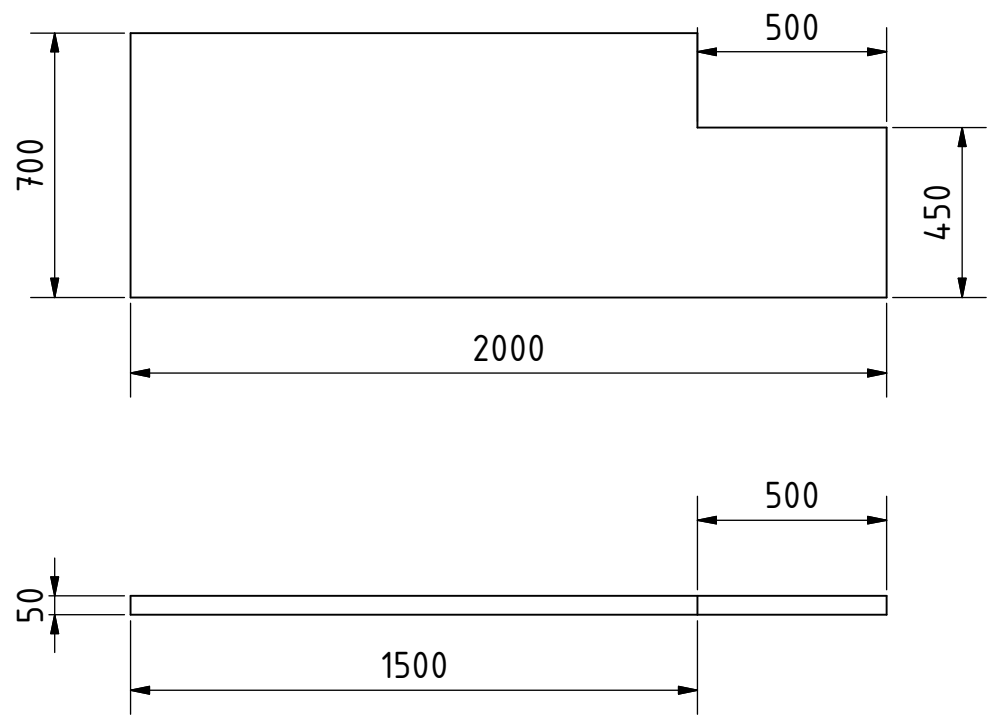
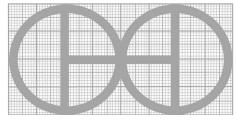


ELEVATION (1 : 20)



Note: All units in mm.

| | | | | |
|---------------|---|--------------|-----------------|----------|
| PROJECT | CREATED BY | APPROVED BY | DATE | VERSION |
| Coconut Drier | J. Zeron | A. Morillo | 31/07/2021 | 1.0 |
| PART NAME | FILE NAME | | | POS |
| Side wooden | Side wooden.ipt | | | 6 |
| DEVELOPED BY | REDESIGNED BY | DOC. TYPE | MATERIAL | QUANTITY |
| |  | Part | Kiln dried wood | 2 |
| Gate | OHO e.V. | LICENCE | SCALE | SHEET |
| | | CC-BY-SA 4.0 | 1:20 | 9 /9 |