

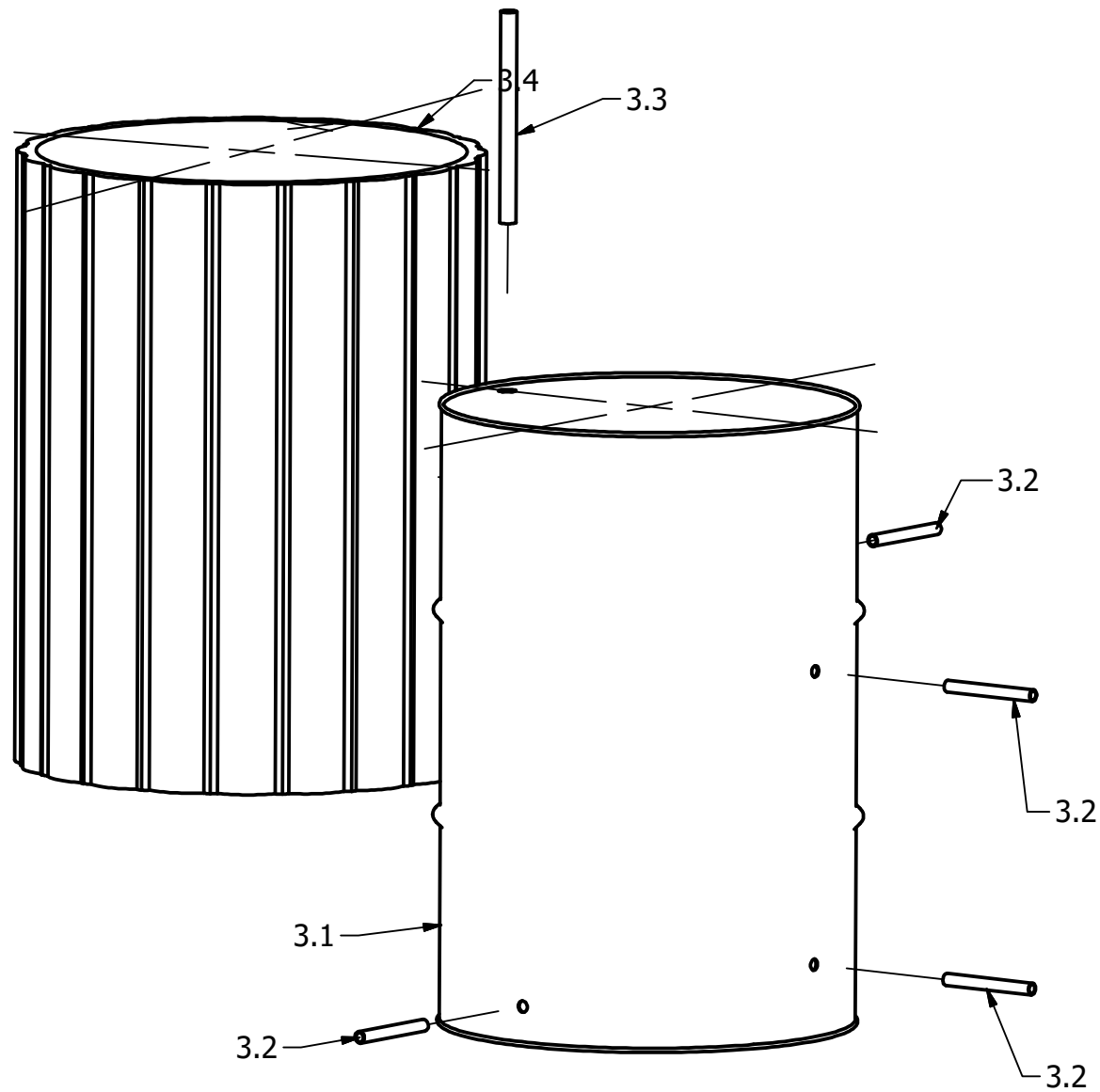




PROJECT		CREATED BY	APPROVED BY	
ZIGZAG SOLAR WATER HEATER		D. MOSQUERA	D. JAEGER	
PART NAME		PART CODE	DOCUMENT TYPE	MATERIAL
insulated-storage-tank		3.0	ASSEMBLY	
DEVELOPED BY	REDESIGNED BY	LICENCE	FILE NAME	VERSION
		CERN-OHL	oswg_zsh_insulated_storage_tank.kiam	1.1
WOT-UNIVERSITY OF TWENTE			SCALE	QUANTITY
			1:10	1
			SHEET	DATE
			26 /54	4/3/2021



PROJECT		CREATED BY	APROVED BY		
ZIGZAG SOLAR WATER HEATER		D. MOSQUERA	D. JAEGER		
PART NAME		PART CODE	DOCUMENT TYPE	MATERIAL	
insulated-storage-tank		3.0	ASSEMBLY		
DEVELOPED BY	REDESIGNED BY	LICENCE	FILE NAME	VERSION	QUANTITY
		CERN-OHL	osg_zsh_insulated_storage_tank.kiam	1.1	1
WOT-UNIVERSITY OF TWENTE			SCALE	SHEET	DATE
			1:10	27 /54	4/3/2021