
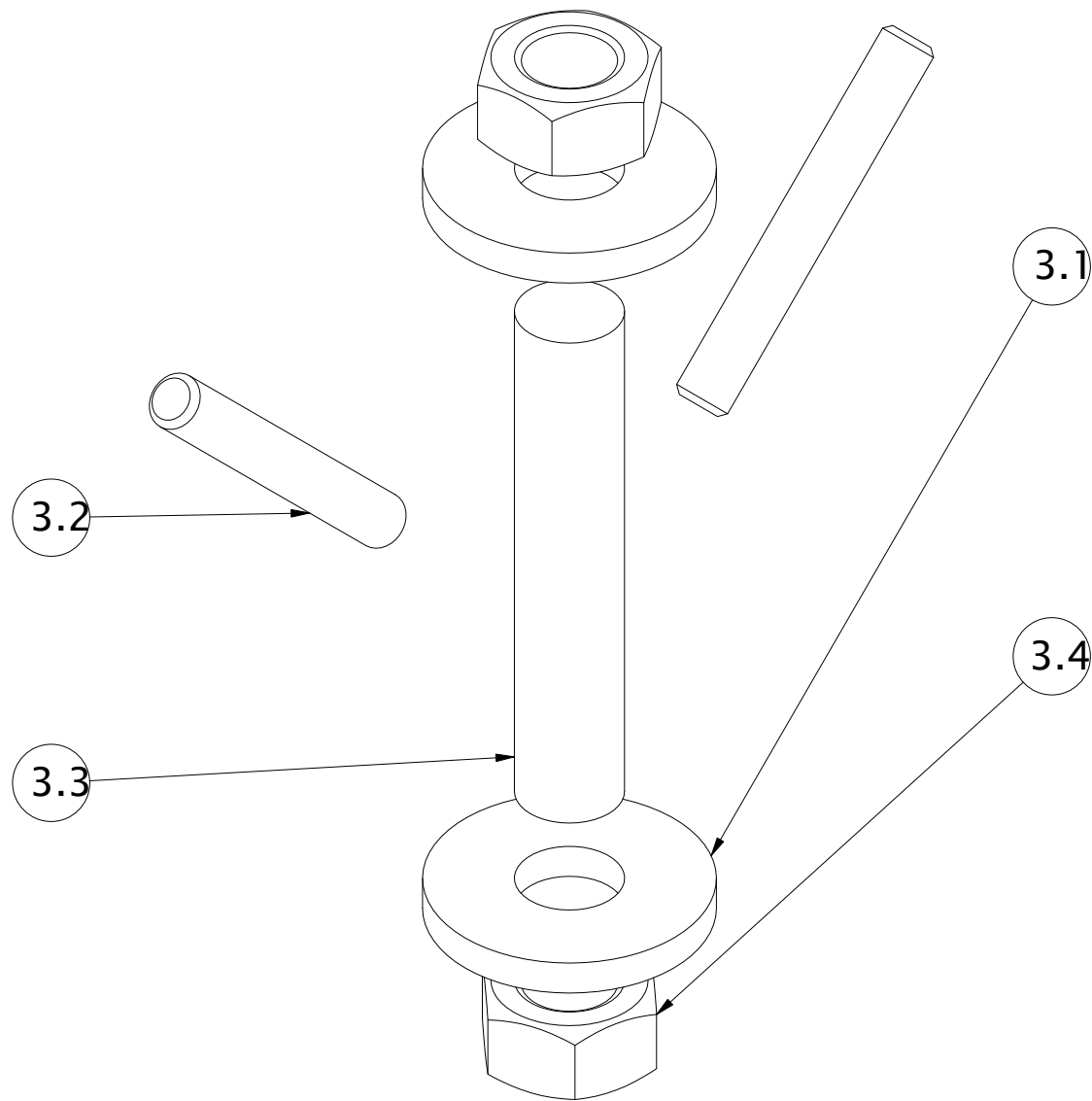



Note: All units in mm.

PROJECT	CREATED BY	APPROVED BY	DATE	VERSION
Wheel Jig	J. Rosciano	A. Morillo	25/06/2021	1.0
PART NAME	FILE NAME			POS
Hub clamp	3.0_Hub clamp.iam			3.0
DEVELOPED BY	REDESIGNED BY	DOC. TYPE	MATERIAL	QUANTITY
		Assembly		1
Practical Action	OHO e.V.	LICENCE	SCALE	SHEET
		CC-BY-SA 4.0	1/2	19 /22



PROJECT	CREATED BY	APPROVED BY	DATE	VERSION
Wheel Jig	J. Rosciano	A. Morillo	25/06/2021	1.0
PART NAME	FILE NAME			POS
Hub clamp	3.0_Hub clamp.ipn			3.0
DEVELOPED BY	REDESIGNED BY	DOC. TYPE	MATERIAL	QUANTITY
		Assembly		1
Practical Action	OHO e.V.	LICENCE	SCALE	SHEET
		CC-BY-SA 4.0	1/2	20 /22