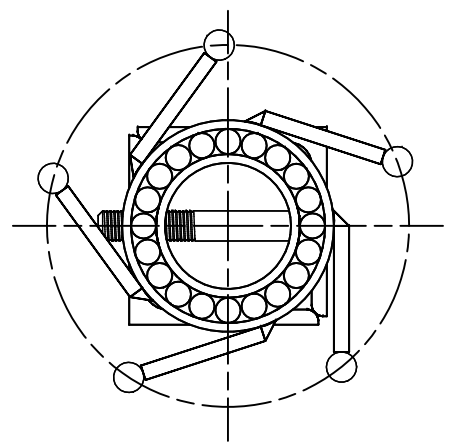
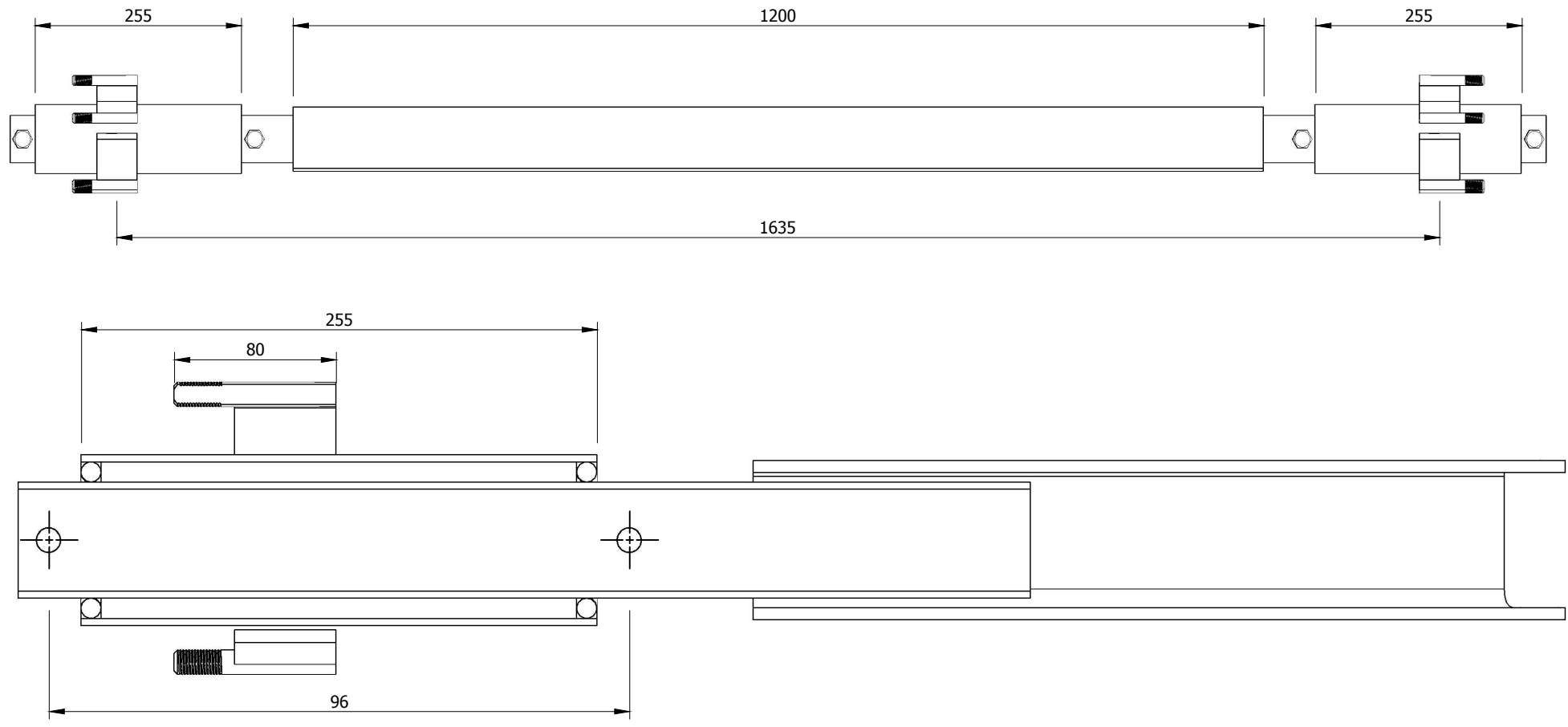


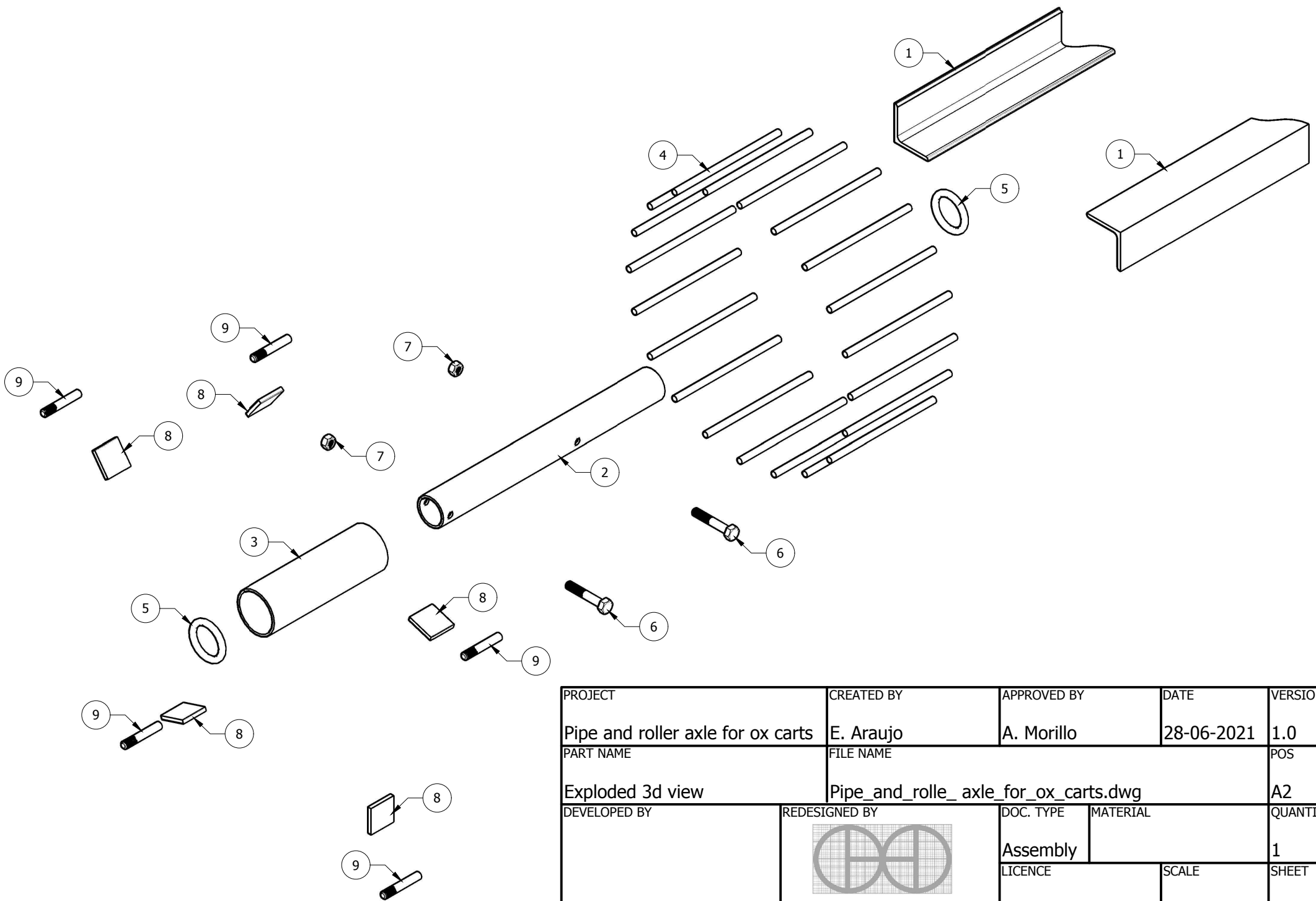
Note: All units in mm.

PROJECT	CREATED BY	APPROVED BY	DATE	VERSION
Pipe and roller axle for ox carts	E. Araujo	A. Morillo	28-06-21	1.0
PART NAME	FILE NAME	POS		
3d views	Pipe_and_rolle_axle_for_ox_carts.dwg	A1		
DEVELOPED BY	REDESIGNED BY	DOC. TYPE	MATERIAL	QUANTITY
Practical Action	OHO e.V.	Assembly		1
		LICENCE	SCALE	SHEET
		CC-BY-SA 4.0	1:4	1/11



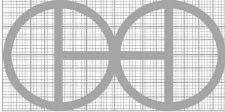
Note: All units in mm.

PROJECT	CREATED BY	APPROVED BY	DATE	VERSION
Pipe and roller axle for ox carts	E. Araujo	A. Morillo	28-06-2021	1.0
PART NAME	FILE NAME			POS
3d views	Pipe_and_rolle_axle_for_ox_carts.dwg			A1
DEVELOPED BY	REDESIGNED BY	DOC. TYPE	MATERIAL	QUANTITY
Practical Action	OHO e.V.	Assembly		1
		LICENCE	SCALE	SHEET
		CC-BY-SA 4.0	1:4	2/11



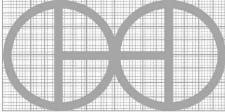
PROJECT	CREATED BY	APPROVED BY	DATE	VERSION
Pipe and roller axle for ox carts	E. Araujo	A. Morillo	28-06-2021	1.0
PART NAME	FILE NAME	POS		
Exploded 3d view	Pipe_and_rolle_axle_for_ox_carts.dwg	A2		
DEVELOPED BY	REDESIGNED BY	DOC. TYPE	MATERIAL	QUANTITY
Practical Action	OHO e.V.	Assembly		1
		LICENCE	SCALE	SHEET
		CC-BY-SA 4.0	1:5	3/11

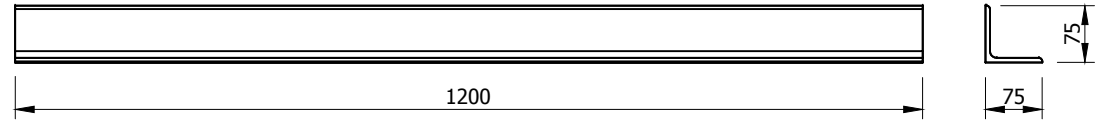
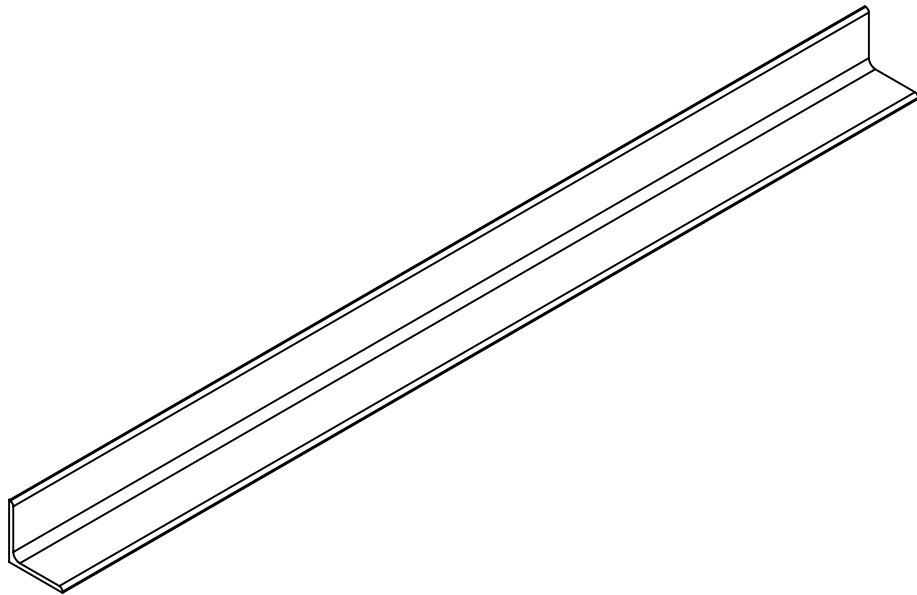
Parts list						
POS	QTY	PART NAME	FILE NAME	PART TYPE	SPECIFICATIONS	SHEET
A1		3d views	Pipe_and_roller_axle_for_ox_carts.dwg			1
A1		3d views	Pipe_and_roller_axle_for_ox_carts.dwg			2
A2		Exploded 3d view	Pipe_and_roller_axle_for_ox_carts.dwg			3
B1		Parts list	ML_A1_P1_Pipe and roller axle for ox carts			4
C1		Technical notes	Pipe_and_roller_axle_for_ox_carts.dwg			5
1	2	Central axle	Pipe_and_roller_axle_for_ox_carts.dwg	Production	Steel A36, Angle 75	6
2	2	Hub stub axles	Pipe_and_roller_axle_for_ox_carts.dwg	Production	Steel A36	7
3	2	Hub outer race	Pipe_and_roller_axle_for_ox_carts.dwg	Production	Steel A36	8
4	40	Rollers	Pipe_and_roller_axle_for_ox_carts.dwg	Production	Steel A36	9
5	4	Roller retaining rings	Pipe_and_roller_axle_for_ox_carts.dwg	Production	Steel A36	10
6	4	Hub restraint bolts		Standard	M12 Bolt x 100mm Din 931	
7	4	Hub restraint nuts		Standard	M12 Nut x 12mm Din 934	
8	10	Wheel studs	Pipe_and_roller_axle_for_ox_carts.dwg	Production	Steel A36 6mm	11
9	10	Wheel stud struts		Standard	M12 Studding Din 913	

PROJECT		CREATED BY		APPROVED BY		DATE		VERSION	
Pipe and roller axle for ox carts		E.Araujo		A. Morillo		28-06-2021		1.0	
PART NAME			FILE NAME					POS	
Parts list			ML_A1_P1_Pipe and roller axle for ox carts.xlsx					B1	
DEVELOPED BY			REDESIGNED BY		DOC. TYPE		MATERIAL		QUANTITY
Practical Action			 OHO e.V.		Parts list				
					LICENCE		SCALE		SHEET
					CC-BY-SA 4.0				4/11

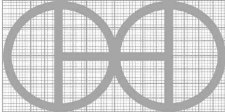
TECHNICAL NOTES

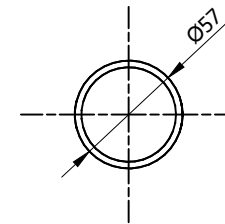
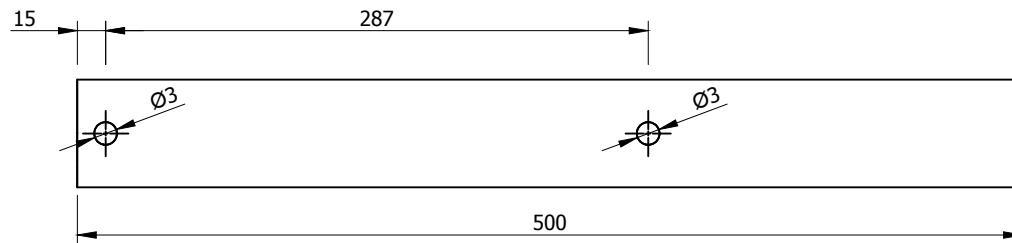
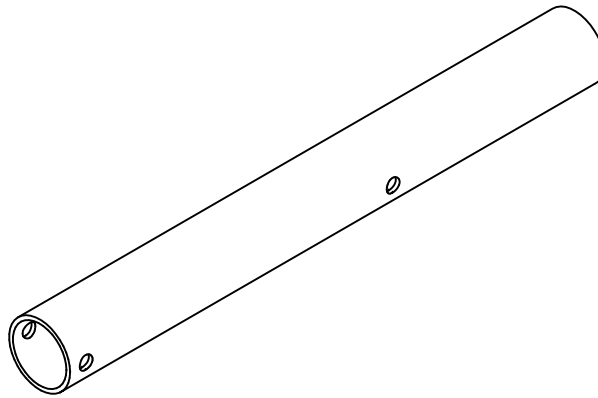
NOTES	CONTENT
GENERAL NOTES	
Metal structure treatment	Iron structures should be painted to prevent rust and improve equipment life. - Remove loose rust with a wire brush, sandpaper or chemical rust remover. - If applicable, sand areas where paint is chipping until surface is smooth. - Remove dust or oil with a degreaser or denatured alcohol. - Prime surface to protect against rust and corrosion
Foundations fixing	- The ground must be stable and have a low water table. - The structure must be fixed on firm oncrete soil or on poured footings with steel reinforcement. - The anchorage can be bolted with expansive ramplugs or welded.

PROJECT	CREATED BY	APPROVED BY	DATE	VERSION
Pipe and roller axle for ox carts	E. Araujo	A. Morillo	28-06-2021	1.0
PART NAME	FILE NAME			POS
Technical notes	ML_A1_P1_Pipe and roller axle for ox carts.dwg			C1
DEVELOPED BY	REDESIGNED BY	DOC. TYPE	MATERIAL	QUANTITY
Practical Action	 OHO e.V.	T. Notes		
		LICENCE	SCALE	SHEET
		CC-BY-SA 4.0		5/11



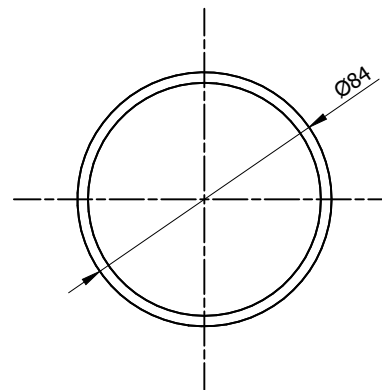
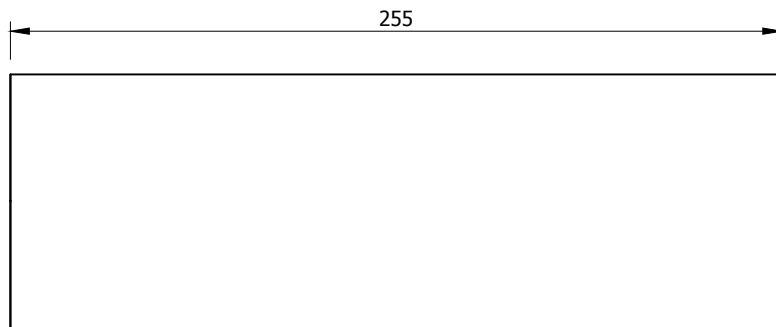
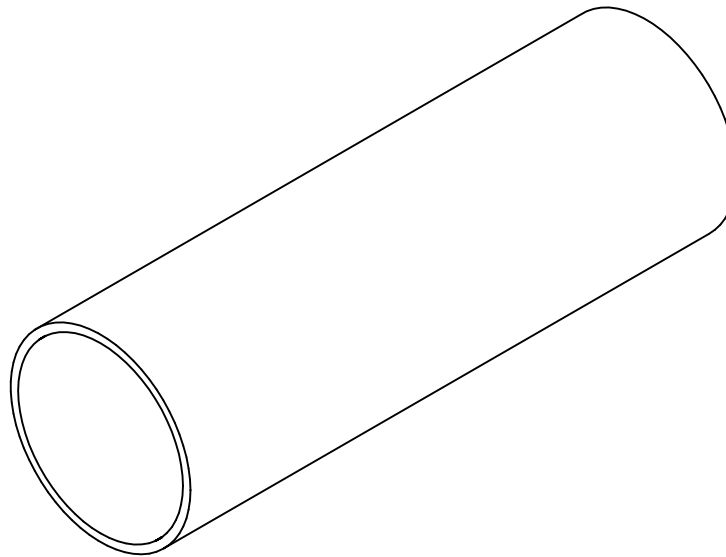
Note: All units in mm.

PROJECT	CREATED BY	APPROVED BY	DATE	VERSION
Pipe and roller axle for ox carts	E. Araujo	A. Morillo	28-06-2021	1.0
PART NAME	FILE NAME			POS
Central axle	Pipe_and_rolle_axle_for_ox_carts.dwg			1
DEVELOPED BY	REDESIGNED BY	DOC. TYPE	MATERIAL	QUANTITY
Practical Action	 OHO e.V.	Part	Steel A36	2
		LICENCE	SCALE	SHEET
		CC-BY-SA 4.0	1:5	6/11

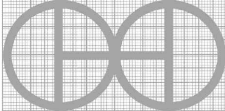


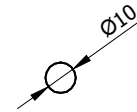
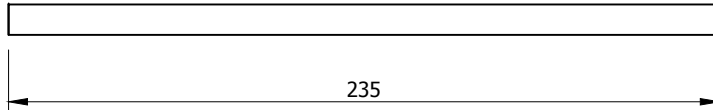
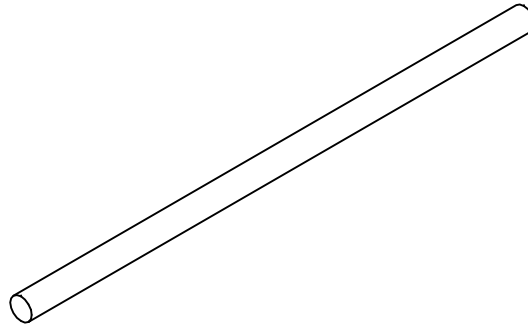
Note: All units in mm.

PROJECT	CREATED BY	APPROVED BY	DATE	VERSION
Pipe and roller axle for ox carts	E. Araujo	A. Morillo	28-06-2021	1.0
PART NAME	FILE NAME	POS		
Hub stub axles	Pipe_and_rolle_axle_for_ox_carts.dwg	2		
DEVELOPED BY	REDESIGNED BY	DOC. TYPE	MATERIAL	QUANTITY
Practical Action	OHO e.V.	Part	Steel A36	2
		LICENCE	SCALE	SHEET
		CC-BY-SA 4.0	1:5	7/11

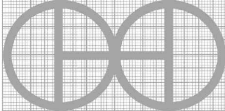


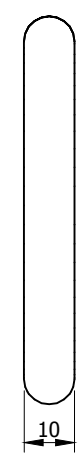
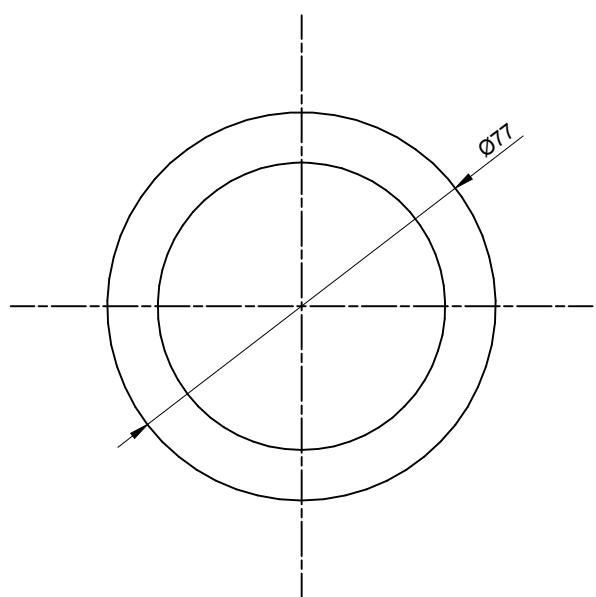
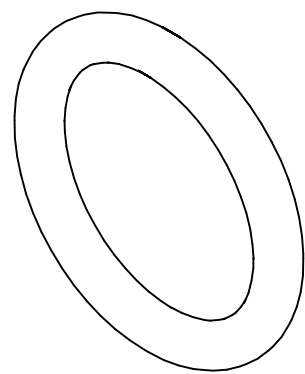
Note: All units in mm.

PROJECT	CREATED BY	APPROVED BY	DATE	VERSION
Pipe and roller axle for ox carts	E. Araujo	A. Morillo	28-06-2021	1.0
PART NAME	FILE NAME			POS
Hub outer race	Pipe_and_rolle_axle_for_ox_carts.dwg			3
DEVELOPED BY	REDESIGNED BY	DOC. TYPE	MATERIAL	QUANTITY
Practical Action	 OHO e.V.	Part	Steel A36	2
		LICENCE	SCALE	SHEET
		CC-BY-SA 4.0	1:2.5	8/11

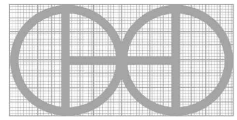


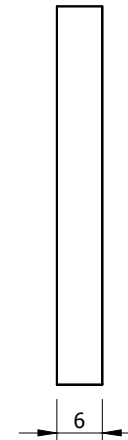
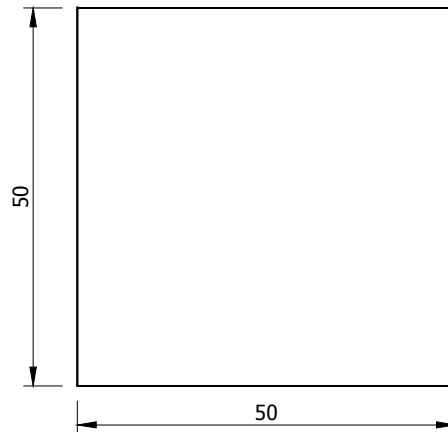
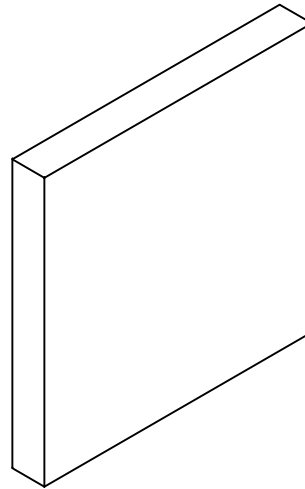
Note: All units in mm.

PROJECT	CREATED BY	APPROVED BY	DATE	VERSION
Pipe and roller axle for ox carts	E. Araujo	A. Morillo	28-06-2021	1.0
PART NAME	FILE NAME	POS		
Rollers	Pipe_and_rolle_axle_for_ox_carts.dwg	4		
DEVELOPED BY	REDESIGNED BY	DOC. TYPE	MATERIAL	QUANTITY
Practical Action	 OHO e.V.	Part	Steel A36	40
		LICENCE	SCALE	SHEET
		CC-BY-SA 4.0	1:2.5	9/11

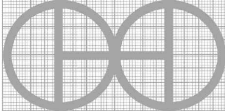


Note: All units in mm.

PROJECT		CREATED BY		APPROVED BY		DATE		VERSION	
Pipe and roller axle for ox carts		E. Araujo		A. Morillo		28-06-2021		1.0	
PART NAME			FILE NAME					POS	
Roller retaining rings			Pipe_and_rolle_axle_for_ox_carts.dwg					5	
DEVELOPED BY		REDESIGNED BY		DOC. TYPE		MATERIAL		QUANTITY	
Practical Action		 OHO e.V.		Part		Steel A36		4	
				LICENCE		SCALE		SHEET	
				CC-BY-SA 4.0		1:1.5		10/11	



Note: All units in mm.

PROJECT	CREATED BY	APPROVED BY	DATE	VERSION
Pipe and roller axle for ox carts	E. Araujo	A. Morillo	28-06-2021	1.0
PART NAME	FILE NAME	POS		
Wheel studs	Pipe_and_rolle_axle_for_ox_carts.dwg	8		
DEVELOPED BY	REDESIGNED BY	DOC. TYPE	MATERIAL	QUANTITY
Practical Action	 OHO e.V.	Part	Steel A36	10
		LICENCE	SCALE	SHEET
		CC-BY-SA 4.0	1:1	11/11