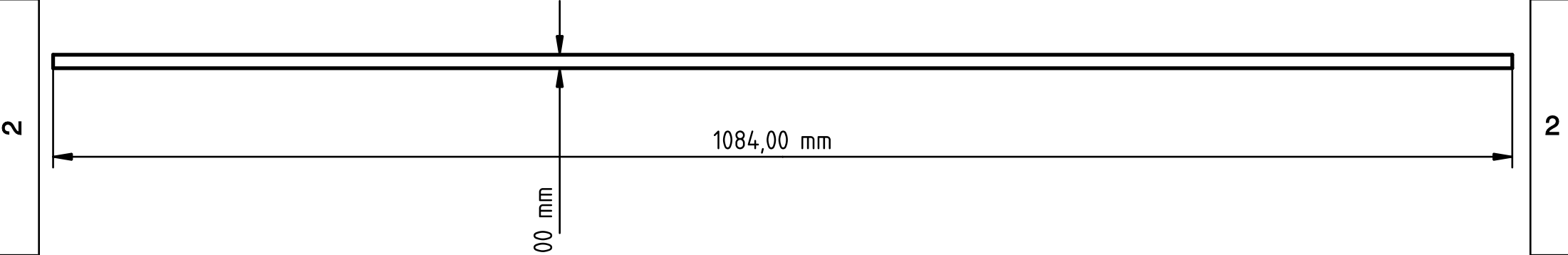
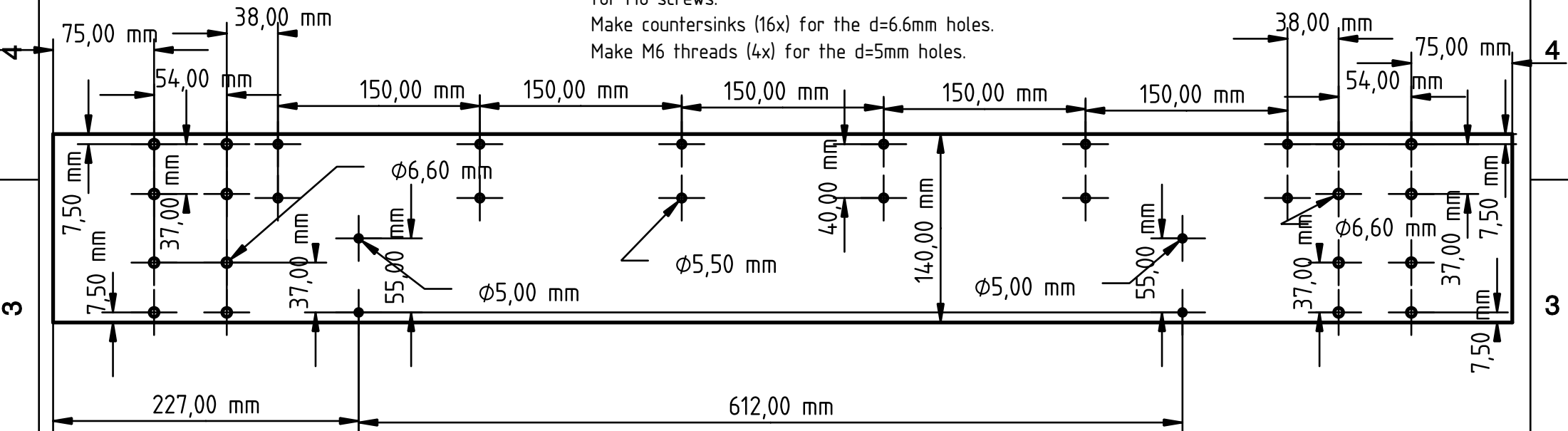



F E D C B A

The 12 holes in the center top (Front view) are for M5 bolts (d=5.5mm). All other holes are for M6 screws.
 Make countersinks (16x) for the d=6.6mm holes.
 Make M6 threads (4x) for the d=5mm holes.



DESIGNED BY: Lukas Winter		COSI Measure v1.0		G	-
DATE: 02.08.2018		Mechanical assembly - plate 1		F	-
SIZE A4				E	-
SCALE 1:4				D	-
WEIGHT (kg)	DRAWING NUMBER	C	-		
		B	-		
		A	-		

This drawing is our property; it can't be reproduced or communicated without our written consent.

F E D C B A