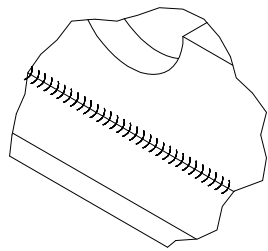
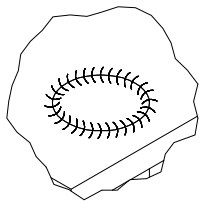


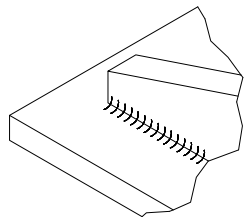
M (0.50 : 1)



L (0.40 : 1)

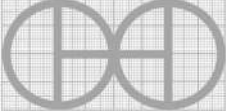


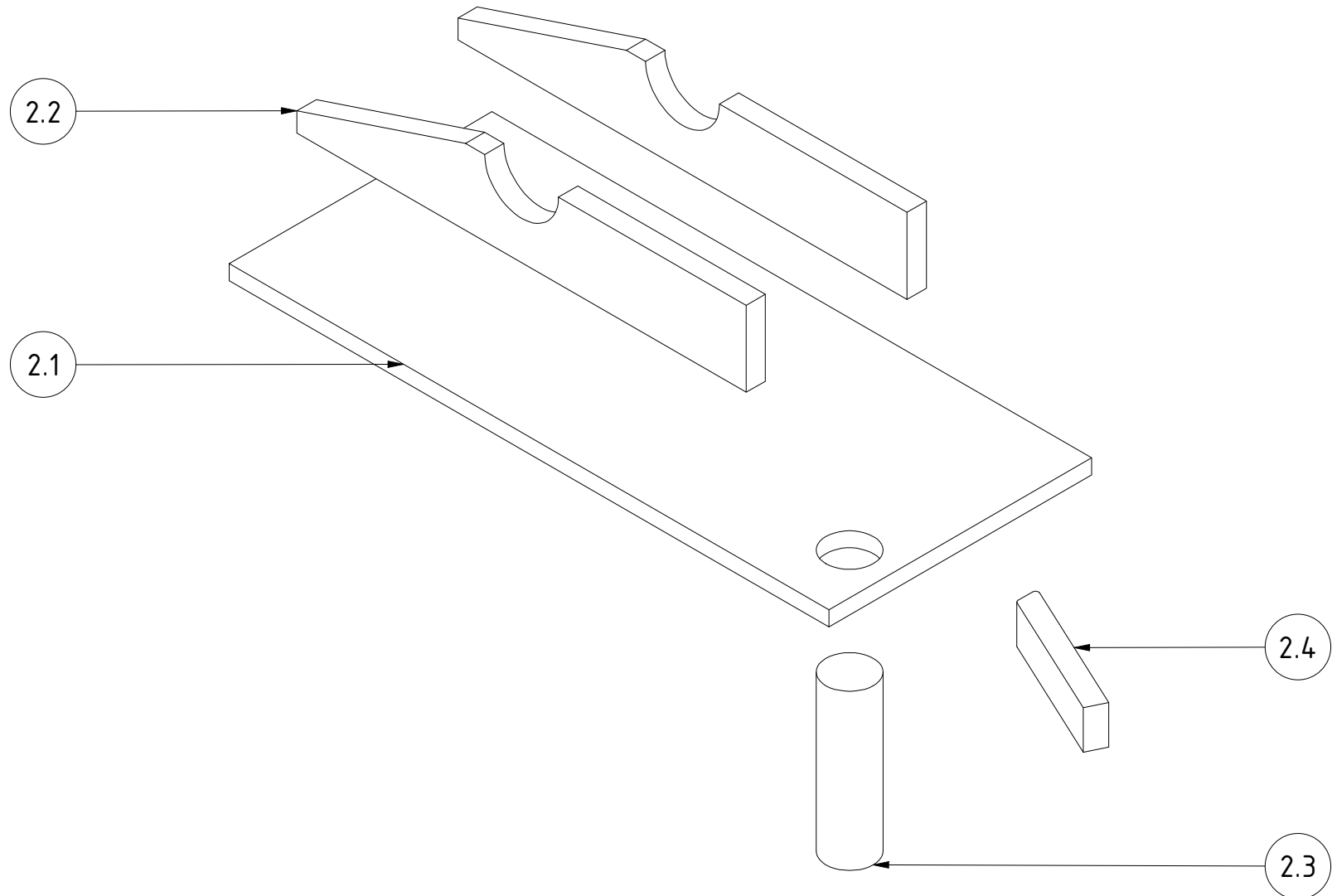
J (0.40 : 1)

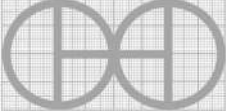


K (0.40 : 1)

Note: All units in mm.

PROJECT Brick Making Machine CETA-RAM - for soil bricks		CREATED BY J. Rosciano	APPROVED BY A. Morillo	DATE 28/07/2021	VERSION 1.1
PART NAME Top assembly		FILE NAME Top assembly.iam			POS 2.0
DEVELOPED BY Centro de Experimentación en Tecnología Apropiaada	REDESIGNED BY  OHO e.V.	DOC. TYPE Assembly	MATERIAL	QUANTITY 1	
		LICENCE CC-BY-SA 4.0	SCALE 1/5	SHEET 18 /53	



PROJECT Brick Making Machine CETA-RAM - for soil bricks		CREATED BY J. Rosciano		APPROVED BY A. Morillo		DATE 28/07/2021		VERSION 1.1	
PART NAME Top assembly		FILE NAME Top assembly.ipn						POS 2.0	
DEVELOPED BY Centro de Experimentación en Tecnología Apropiada		REDESIGNED BY  OHO e.V.		DOC. TYPE Assembly		MATERIAL		QUANTITY 1	
				LICENCE CC-BY-SA 4.0		SCALE 1/3		SHEET 19 /53	