

4

3

2

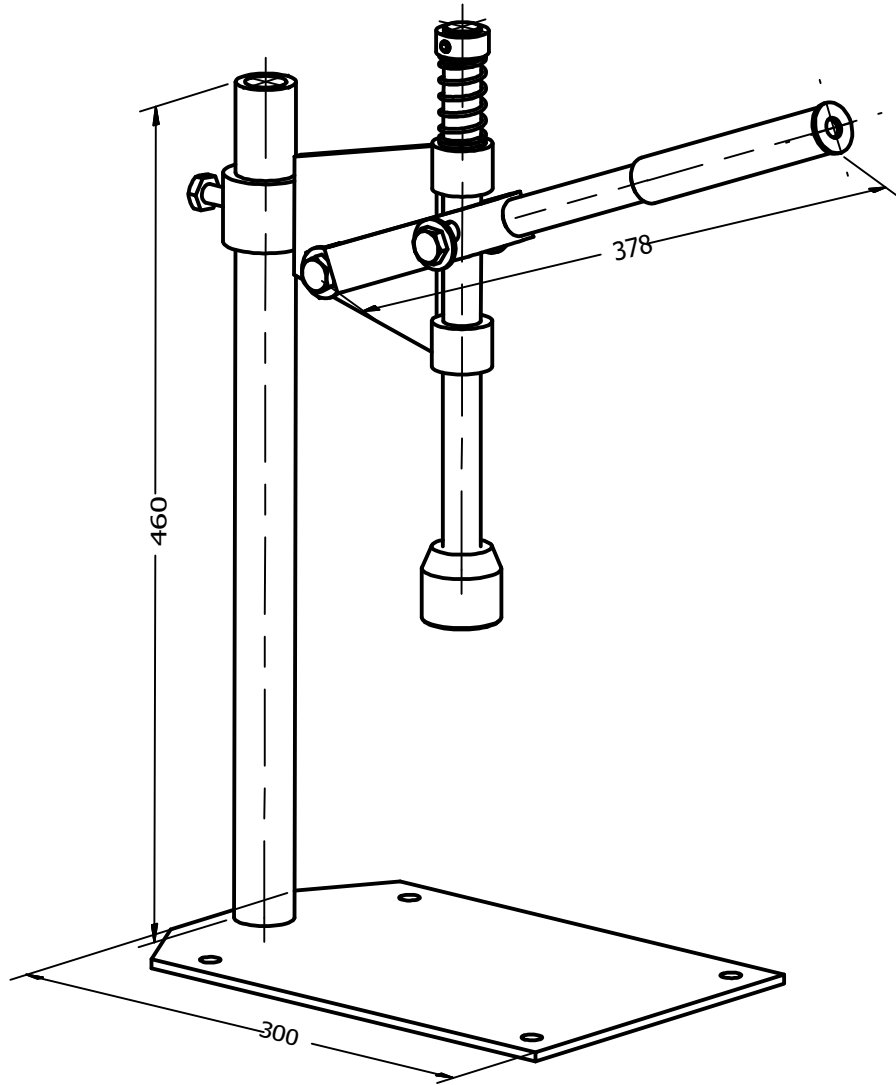
1


B

B

A

A



<b>Project</b> Crown cap machine		Created by D. Mosquera		Approved by D. Jeager	
<b>Part Name</b> Crown cap machine		Part Code A1	Document Type ASSEMBLY		Material
Redesigned by  OPEN SOURCE ECOLOGY GERMANY	Original drawing from <b>Practical ACTION</b>	License CERN-OHL	File Name oseg_ccm_A1_cap-machine.iam		Version 1.0
			Scale 1:6	Sheet 1	Quantity Date 16.11.20

4

3

2

1