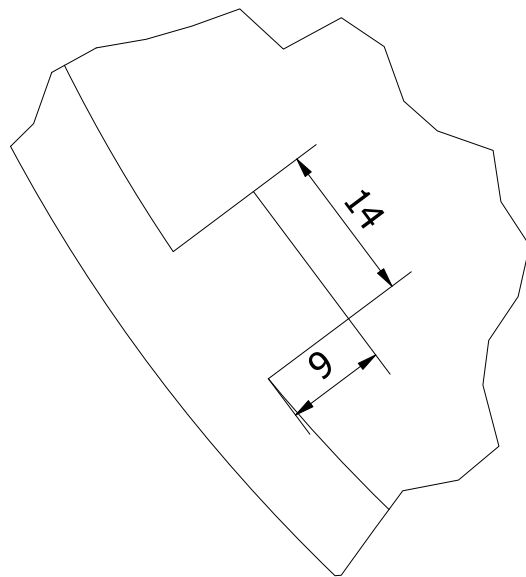
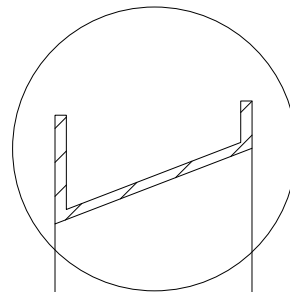


AG ( 0.5: 1 )

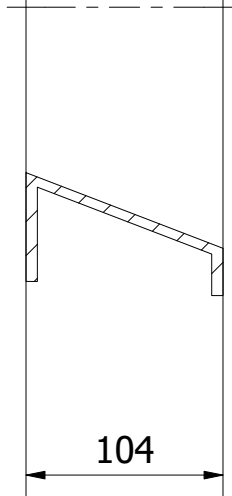


AH ( 1.5: 1 )

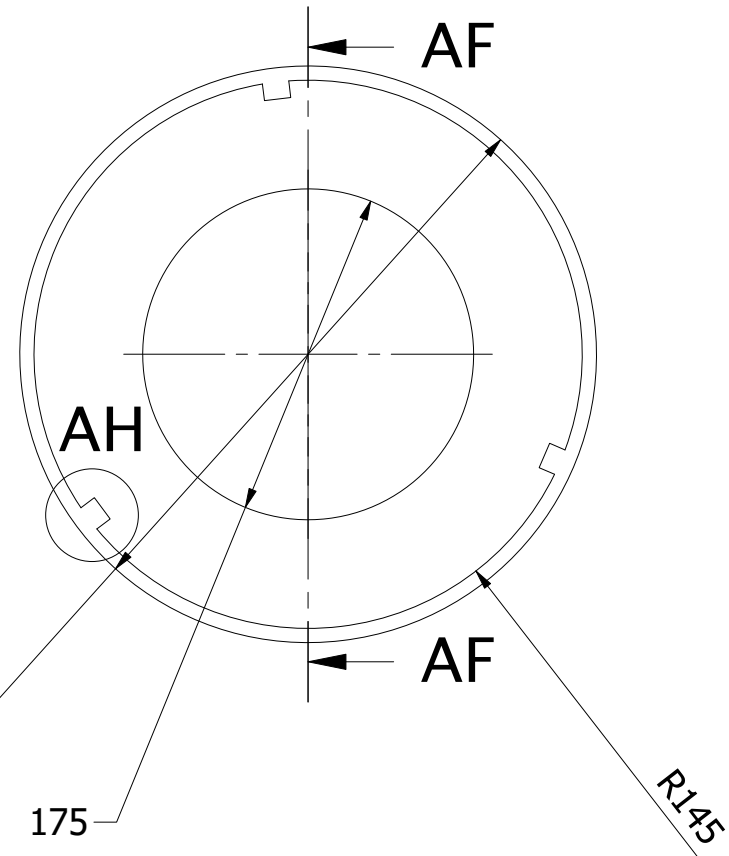
AF-AF ( 1 : 4 )



AG



104



AF

AH


AF

R145

305

175

Note: All units in mm.

PROJECT	CREATED BY	APPROVED BY	DATE	VERSION
Potery wheel	J. Rosciano	A. Morillo	17/06/2021	1.2
PART NAME	FILE NAME			POS
Mould 305	4.2_Mould_305			4.2
DEVELOPED BY	REDESIGNED BY	DOC. TYPE	MATERIAL	QUANTITY
		Part	DIN C45	1
Practical Action	OHO e.V.	LICENCE	SCALE	SHEET
		CC-BY-SA 4.0	1/4	45 /46