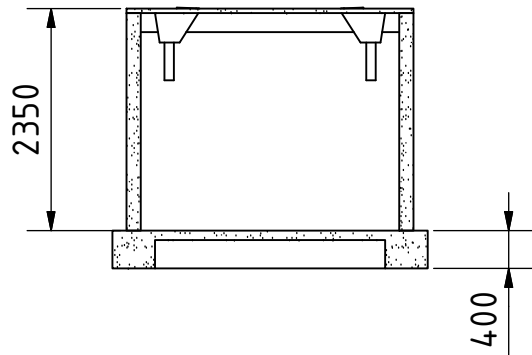
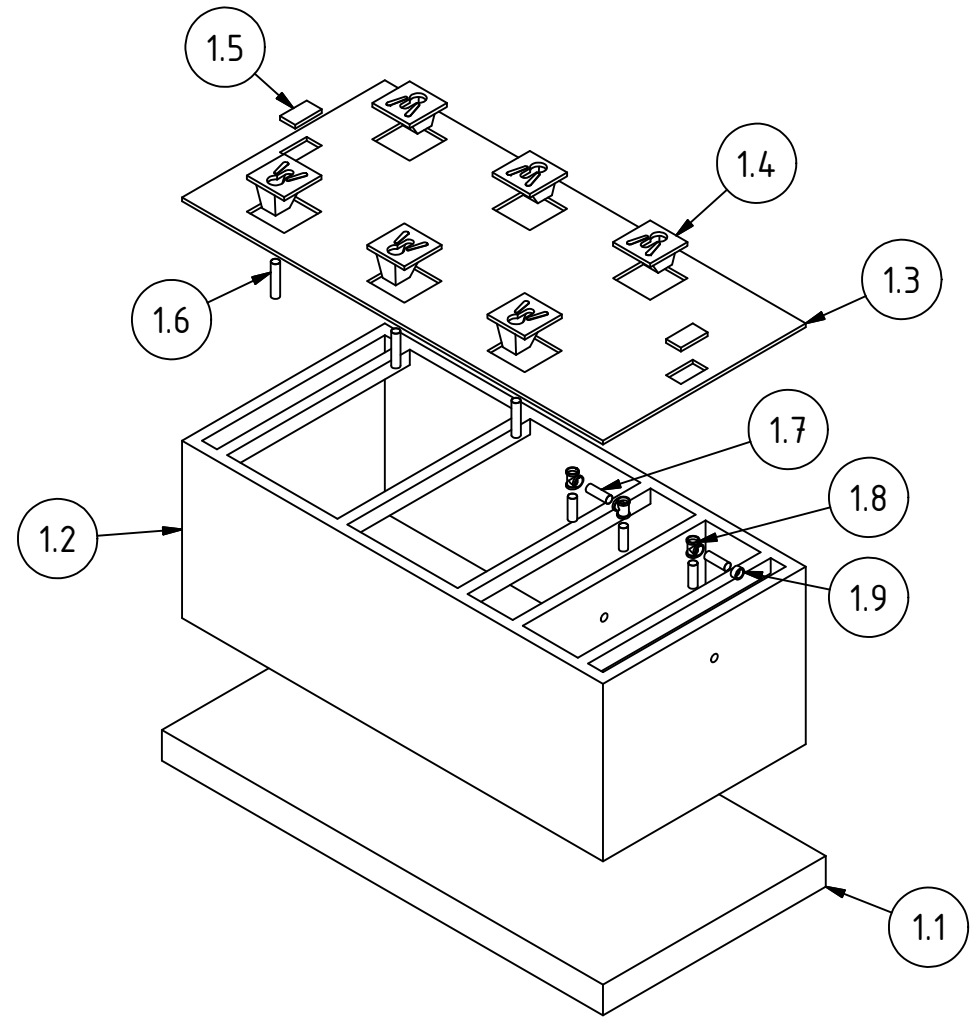
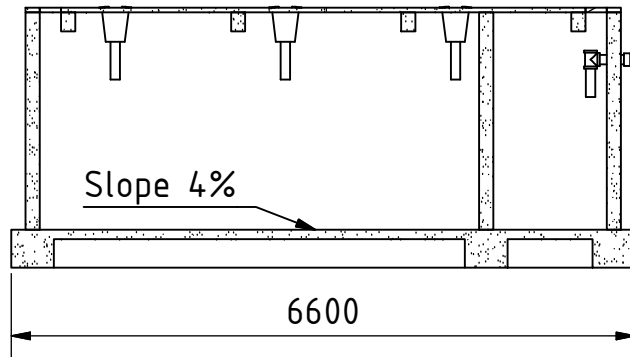



A-A



B-B



Note: All units in mm.

PROJECT Pit for Waste Disposal in rural areas	CREATED BY J. Zeron	APPROVED BY A. Morillo	DATE 25/08/2021	VERSION 1.0
PART NAME Tank	FILE NAME Tank.ipn			POS 1.0
DEVELOPED BY WORLD HEALTH ORGANIZATION	REDESIGNED BY  OHO e.V.	DOC. TYPE Assembly	MATERIAL	QUANTITY
		LICENCE CC-BY-SA 4.0	SCALE 1:80	SHEET 6 / 17