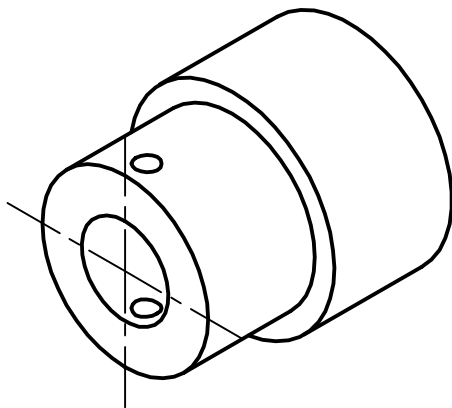
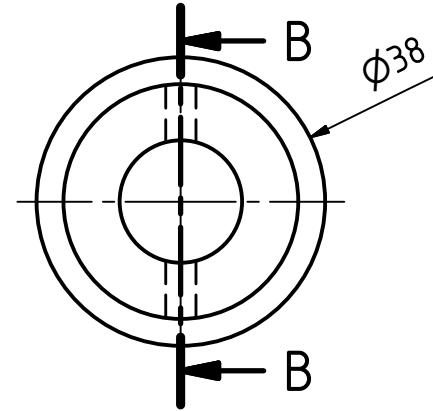
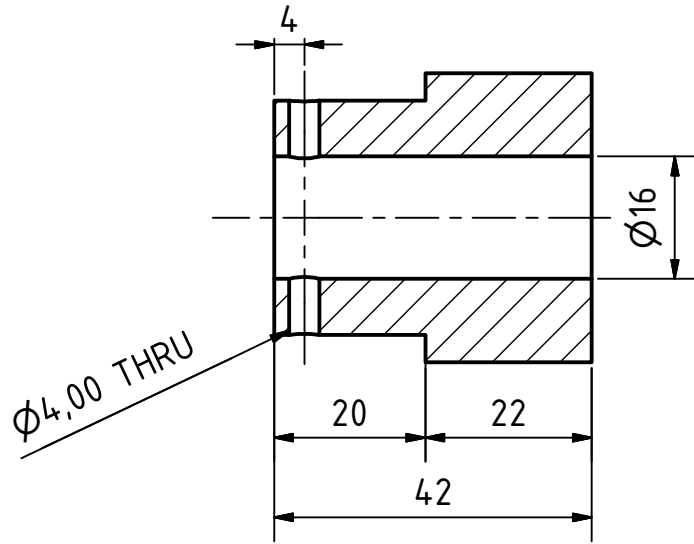
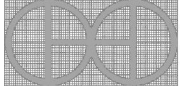


Secc.B-B



PROJECT Snow Sled with 10 hp outboard motor	CREATED BY D. Mosquera	APPROVED BY A. Morillo	DATE 10/08/2021	VERSION 1.0
PART NAME Cube	FILE NAME oho_sso_cube.ipt			POS 5.2
PUBLISHED BY  OPEN HARDWARE OBSERVATORY Free Blueprints for Sustainable Development		DOC. TYPE Part	MATERIAL Steel C45	QUANTITY 1
OHO e.V.		LICENCE CC-BY-SA 4.0	SCALE 1:1	SHEET 36 /47