
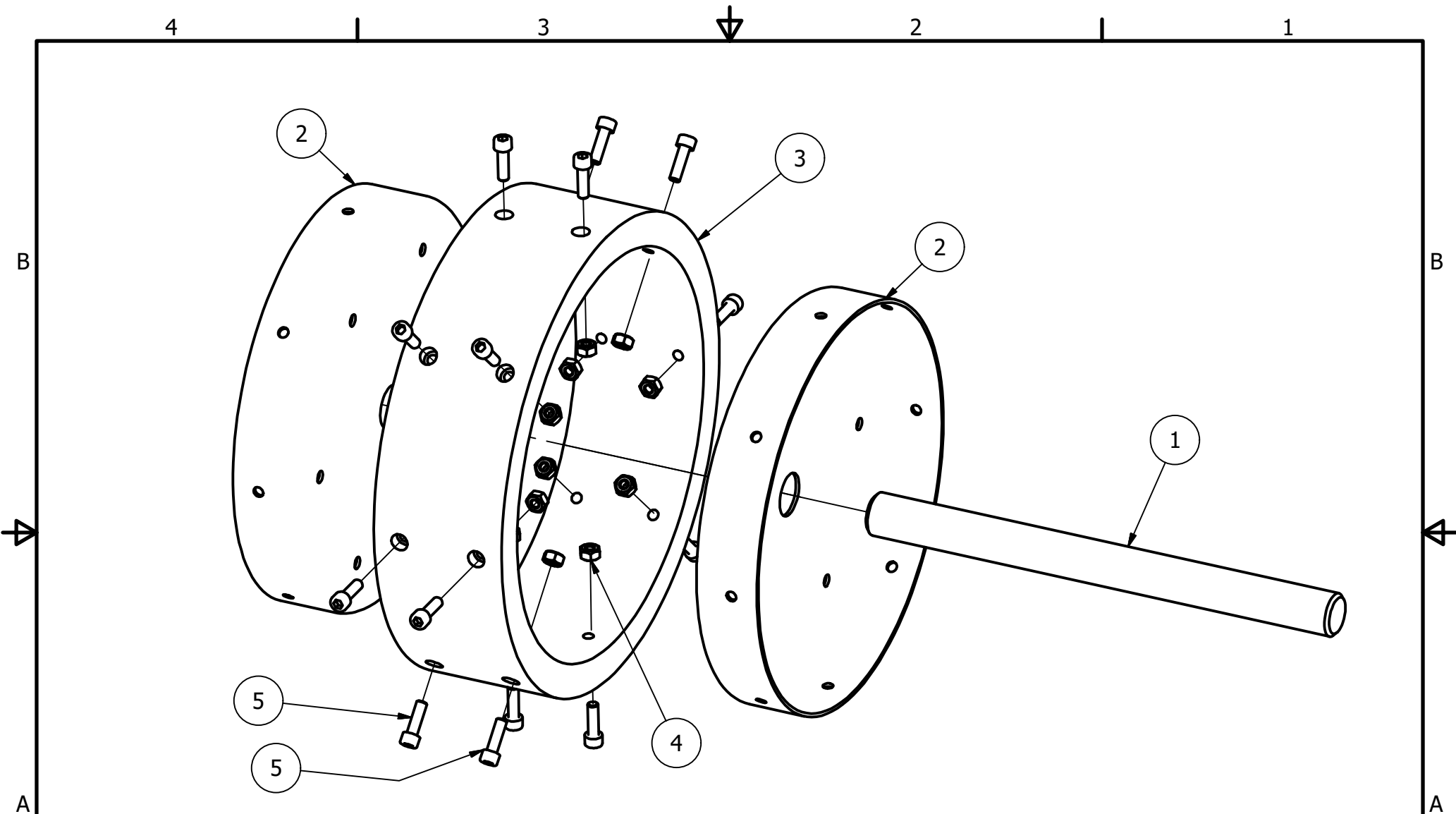



SECTION A-A

Project Wheel Barrow		Created by D. Mosquera		Approved by D. Jeager		
Part Name Wheel		Part Code 4		Document Type Assembly		Material
Redesigned by  Open Source Ecology e.V. Knobelsdorffstr. 22 14059 Berlin www.ose-germany.de +49 (0) 30 / 92282426		Original drawing from Practical ACTION		License CERN-OHL		File Name oseg_wb_4_Wheel.iam
				Scale 1:4		Version 1.0
						Quantity
						Date 11.11.20
						Sheet 20



Project Wheel Barrow		Created by D. Mosquera		Approved by D. Jeager	
Part Name Wheel		Part Code 4		Document Type Assembly	
Redesigned by  Open Source Ecology e.V. Knobelsdorffstr. 22 14059 Berlin www.ose-germany.de +49 (0) 30 / 92282426		Original drawing from Practical ACTION		License CERN-OHL	
		File Name oseg_wb_4_Wheel.iam		Version 1.0	
		Scale 1:4		Quantity 1	
				Sheet 21	
				Date 11.11.20	