

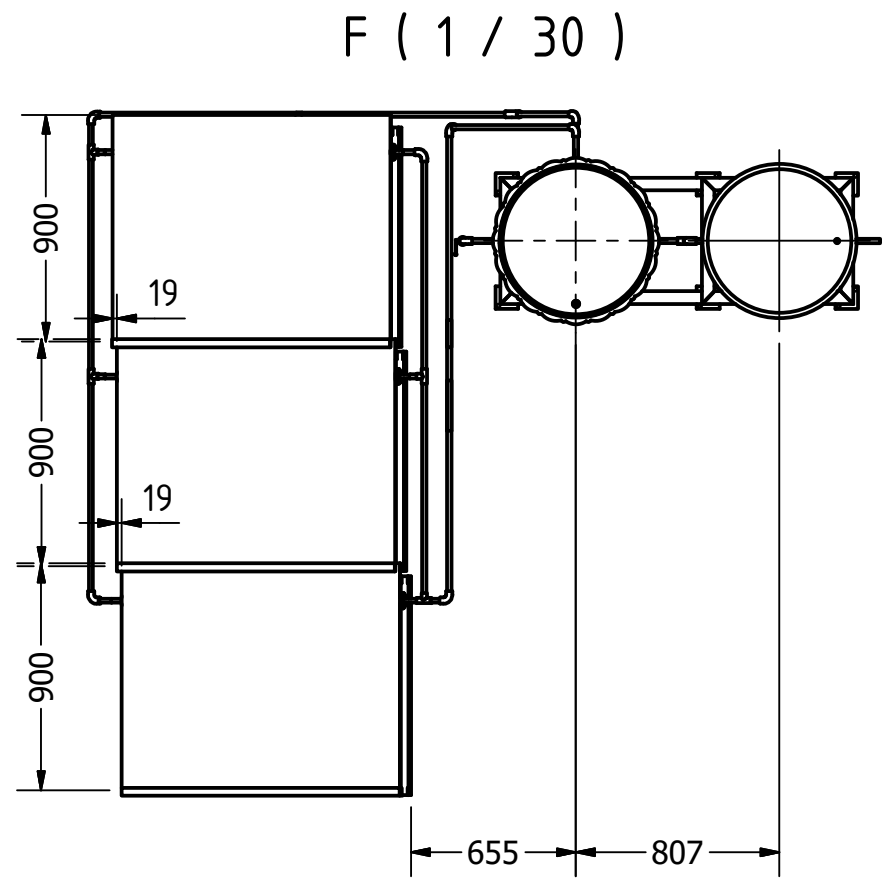
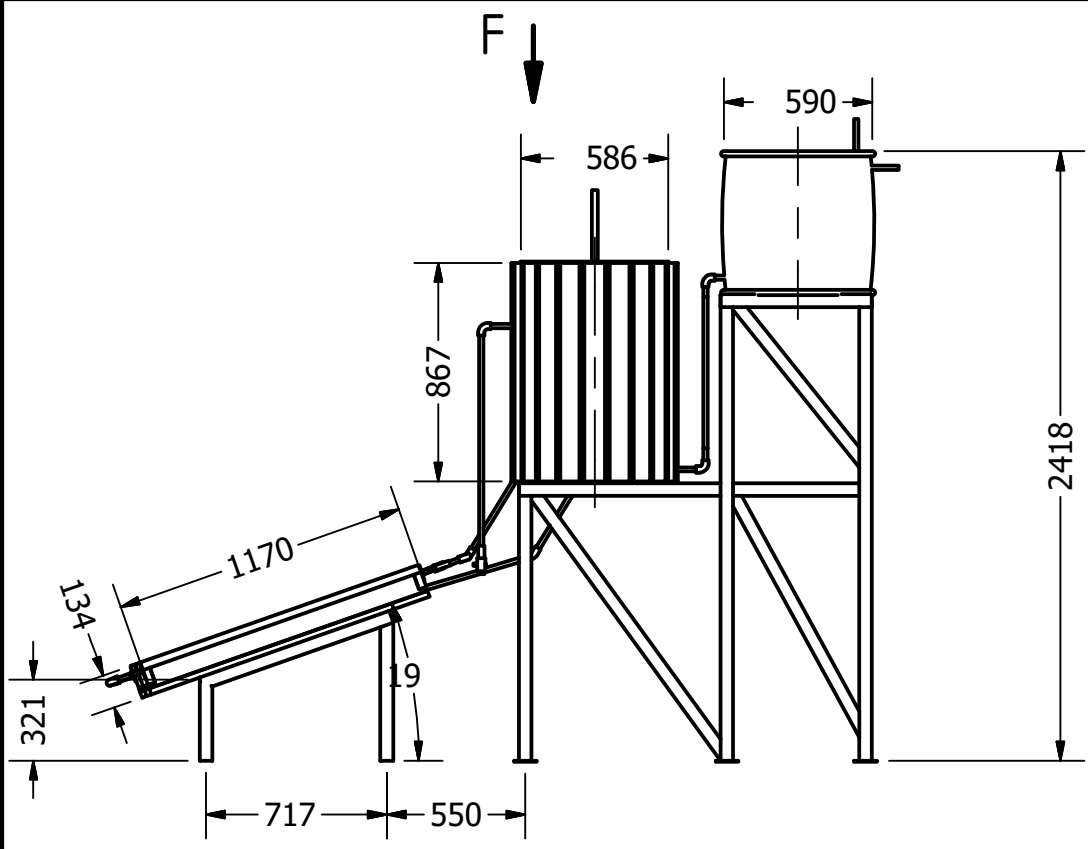




PROJECT		CREATED BY	APPROVED BY		
ZIGZAG SOLAR WATER HEATER		D. MOSQUERA	D. JAEGER		
PART NAME		PART CODE	DOCUMENT TYPE	MATERIAL	
zigzag-solar-water-heater		A1	ASSEMBLY		
DEVELOPED BY	REDESIGNED BY	LICENCE	FILE NAME	VERSION	QUANTITY
		CERN-OHL	zigzag-solar-water-heater	1.1	
WOT-UNIVERSITY OF TWENTE			SCALE	SHEET	DATE
			1:20	1 / 54	4/3/2021



PROJECT		CREATED BY	APROVED BY		
ZIGZAG SOLAR WATER HEATER		D. MOSQUERA	D. JAEGER		
PART NAME		PART CODE	DOCUMENT TYPE	MATERIAL	
zigzag-solar-water-heater		A1	ASSEMBLY		
DEVELOPED BY	REDESIGNED BY	LICENCE	FILE NAME	VERSION	QUANTITY
		CERN-OHL	zigzag-solar-water-heater	1.1	
WOT-UNIVERSITY OF TWENTE			SCALE	SHEET	DATE
			1:30	2 / 54	4/3/2021