
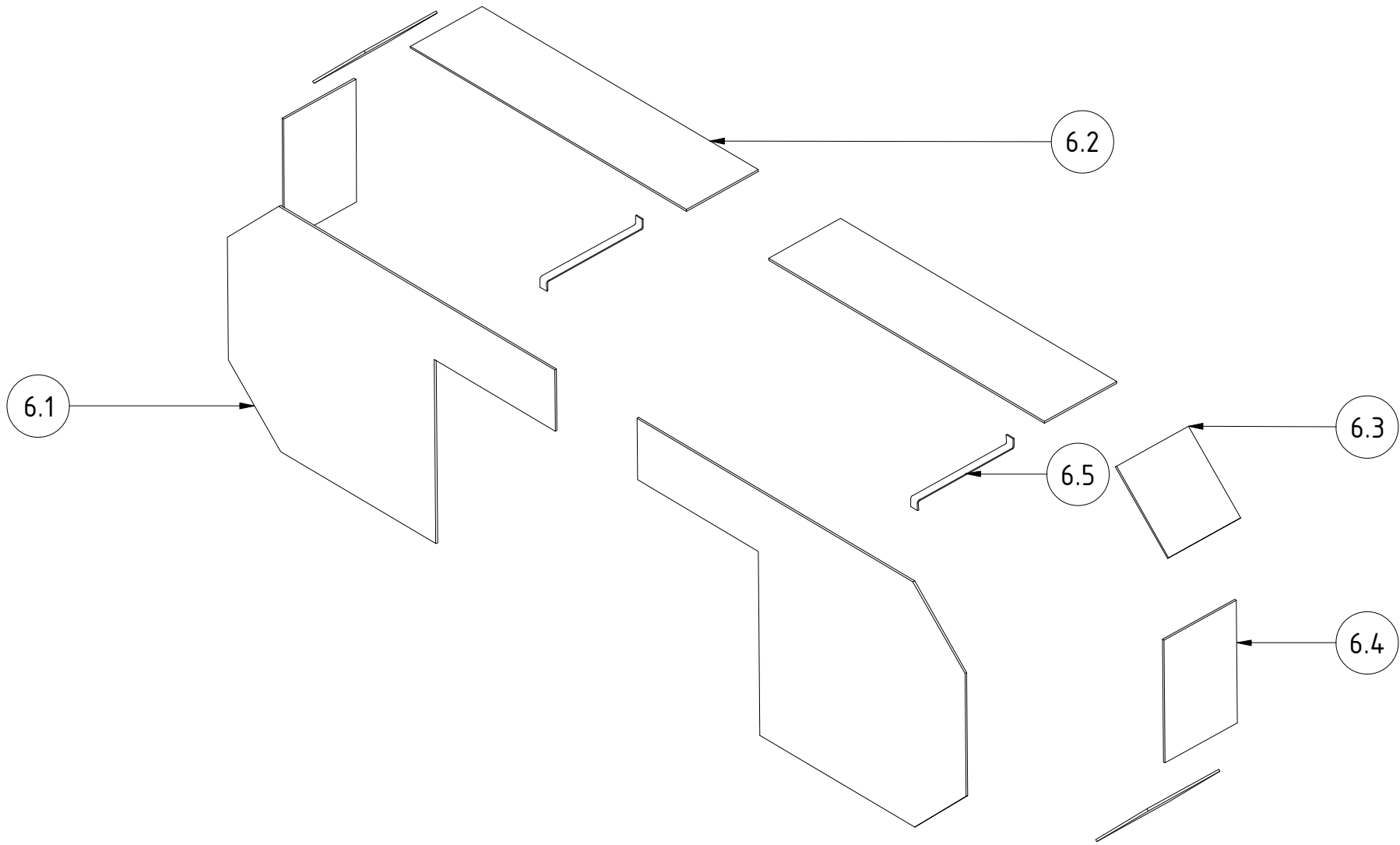



Note: All units in mm.

PROJECT	CREATED BY	APPROVED BY	DATE	VERSION
Bandsaw mill	J. Rosciano	A. Morillo	11/09/2021	1.1
PART NAME	FILE NAME			POS
Guard assembly	Guard assembly.iam			6.0
PUBLISHED BY	DOC. TYPE	MATERIAL	QUANTITY	
 OPEN HARDWARE OBSERVATORY Free Blueprints for Sustainable Development	Assembly		1	
	LICENCE	SCALE	SHEET	
OHO e.V.	CC-BY-SA 4.0	1/15	48 /71	



PROJECT	CREATED BY	APPROVED BY	DATE	VERSION
Bandsaw mill	J. Rosciano	A. Morillo	11/09/2021	1.1
PART NAME	FILE NAME			POS
Guard assembly	Guard assembly.ipn			6.0
PUBLISHED BY	DOC. TYPE		MATERIAL	QUANTITY
 OPEN HARDWARE OBSERVATORY Free Blueprints for Sustainable Development	Assembly			1
	LICENCE		SCALE	SHEET
OHO e.V.	CC-BY-SA 4.0		1/12	49 /71