

4

3

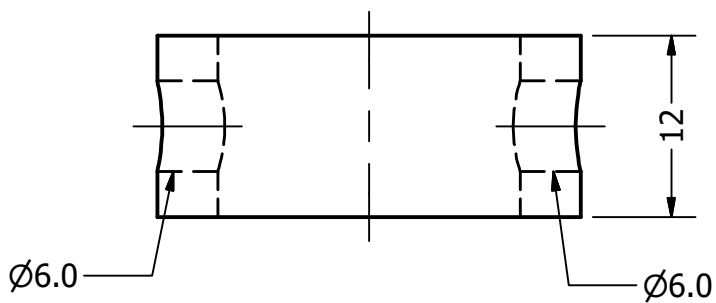
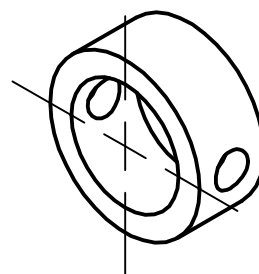
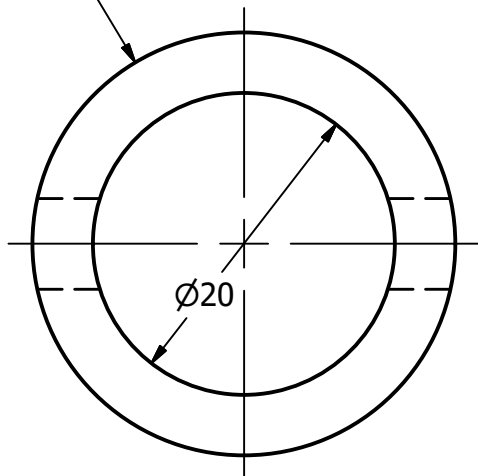
2

1

Ø28


B

B



A

A

<b>Project</b> Crown cap machine		Created by <b>D. Mosquera</b>	Approved by <b>D. Jeager</b>		
<b>Part Name</b> Shaft-stop		Part Code 2.2	Document Type part	Material Steel ASTM A36	
Redesigned by  OPEN SOURCE ECOLOGY GERMANY	Original drawing from <b>Practical ACTION</b>	License CERN-OHL	File Name oseg_ccm_2.2_shaft-stop.ipt	Version 1.0	Quantity 1
			Scale 2:1	Sheet 15	Date 16.11.20

4

3

2

1