
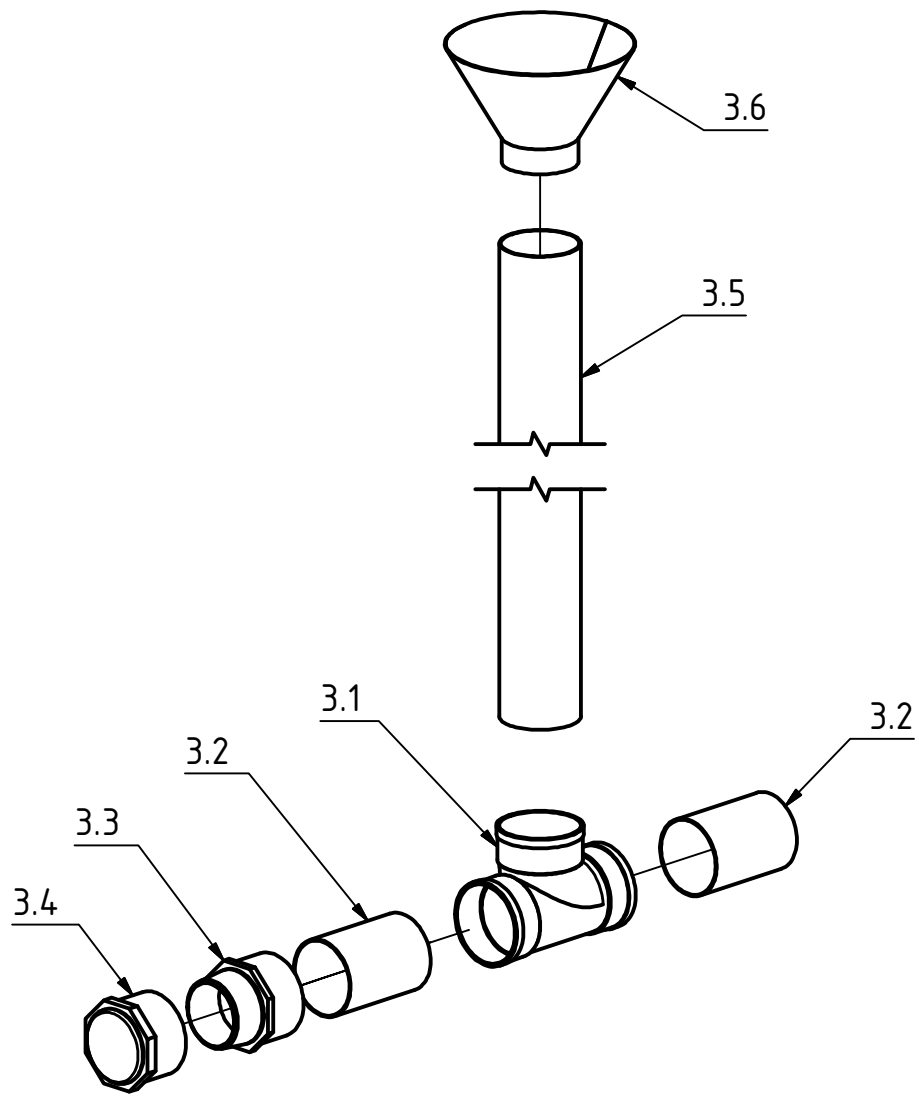



PROJECT		CREATED BY		APPROVED BY		DATE		VERSION	
Floating Dome Biodigester		D.MOSQUERA		D. JAEGER		02-06-21		1.0	
PART NAME		FILE NAME						PART CODE	
Feedstock Inlet pipe		aid_fdb_feedstock-Inlet-pipe.iam						3.0	
DEVELOPED BY		REDESIGNED BY		DOC. TYPE		MATERIAL		QUANTITY	
Appropriate Infrastructure Development Group		 OPEN SOURCE ECOLOGY GERMANY		ASSEMBLY				1	
		OHO e.V.		LICENCE		SCALE		SHEET	
				CC-BY-SA 4.0		1:10		16 /40	



PROJECT	CREATED BY	APPROVED BY	DATE	VERSION
Floating Dome Biodigester	D.MOSQUERA	D. JAEGER	02-06-21	1.0
PART NAME	FILE NAME			PART CODE
Feedstock Inlet pipe	aid_fdb_feedstock-Inlet-pipe.ipn			3.0
DEVELOPED BY	REDESIGNED BY	DOC. TYPE	MATERIAL	QUANTITY
Appropriate Infrastructure Development Group	 OPEN SOURCE ECOLOGY GERMANY OHO e.V.	ASSEMBLY		1
		LICENCE	SCALE	SHEET
		CC-BY-SA 4.0	1:20	17 /40