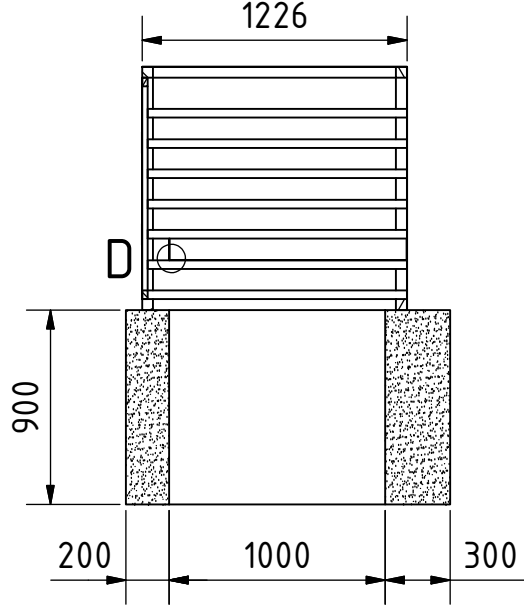
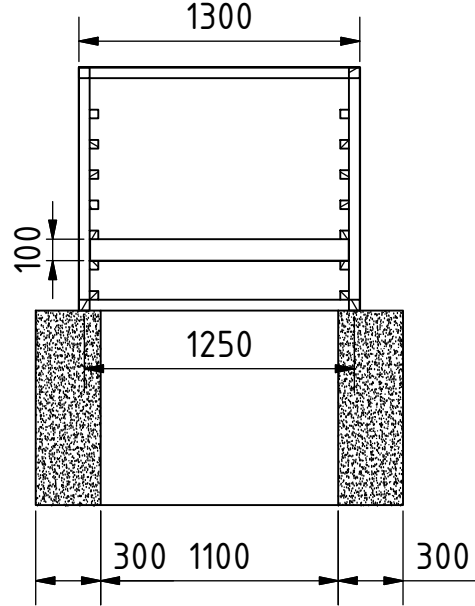


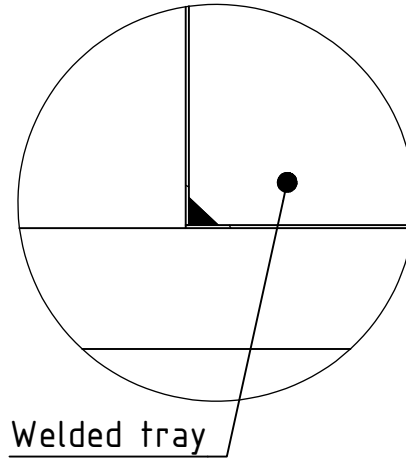
A-A (1 : 35)



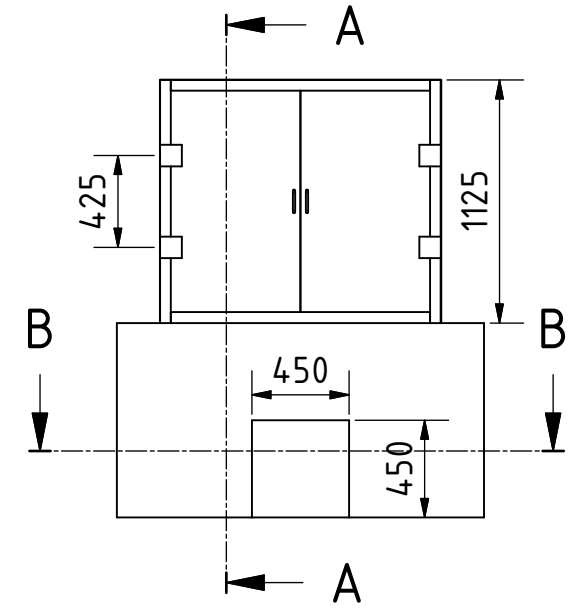
C-C (1 : 35)



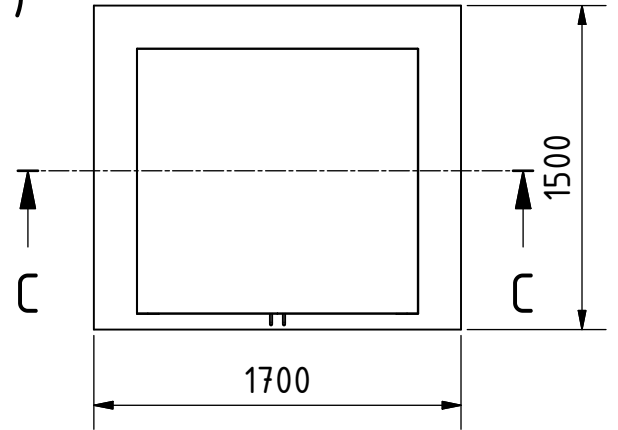
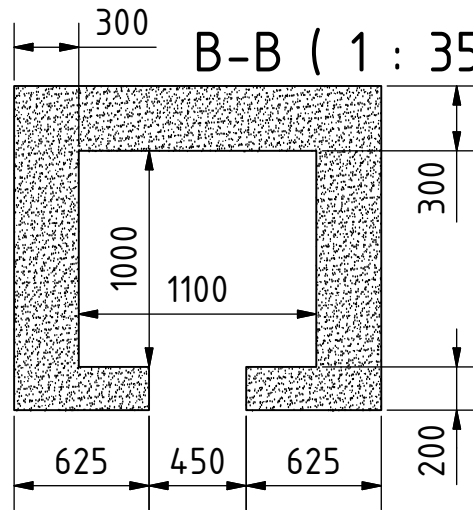
D (1 : 2.5)



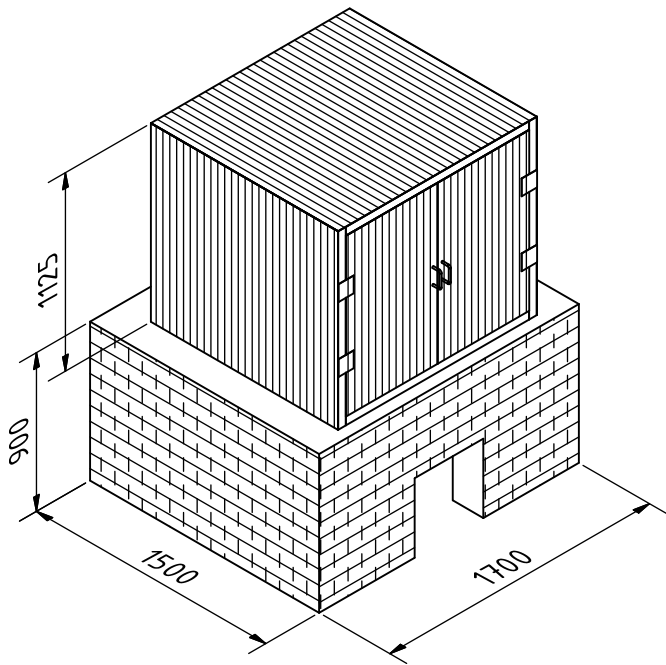
Welded tray




B-B (1 : 35)

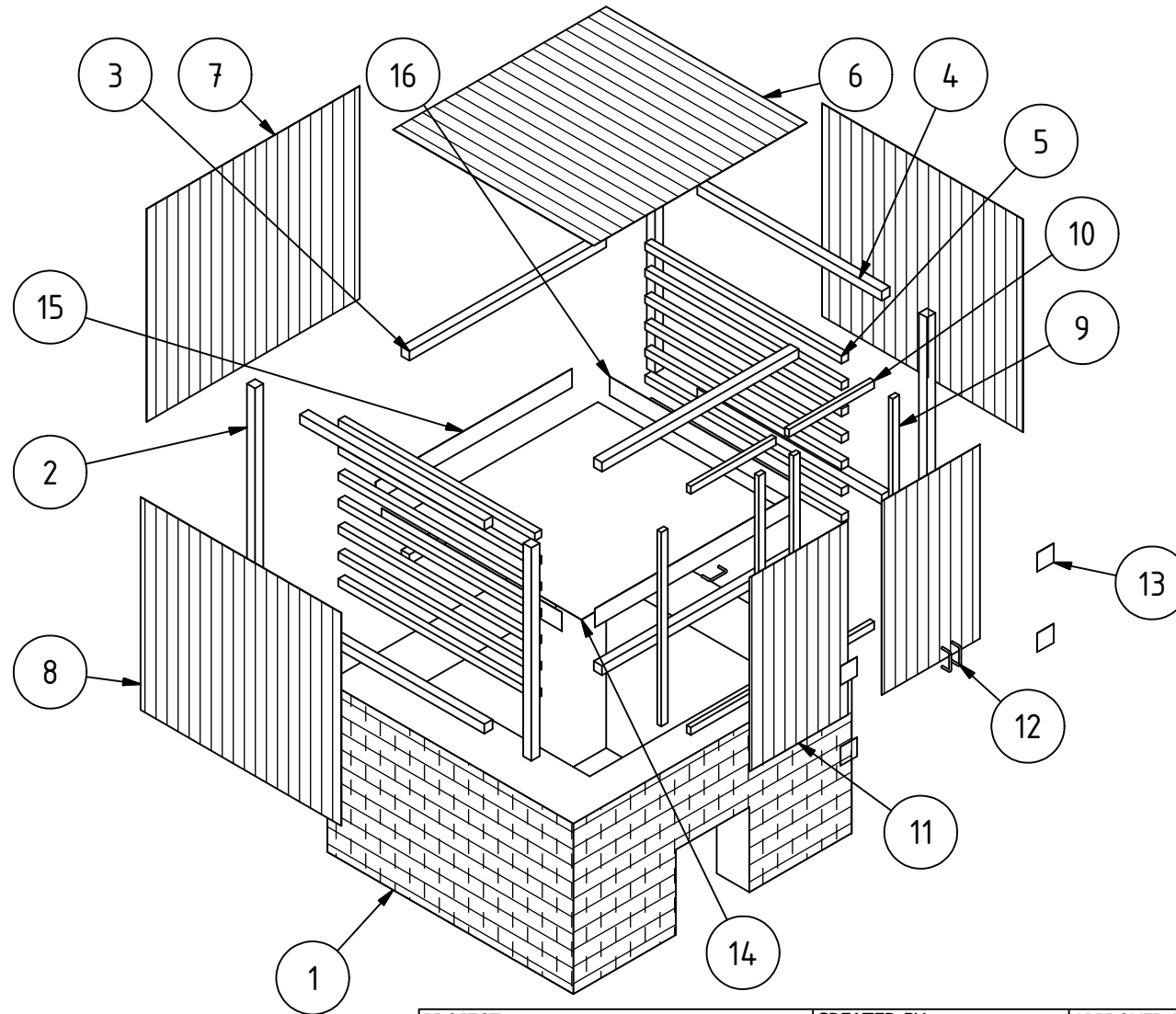



Note: All units in mm.



PROJECT	CREATED BY	APPROVED BY	DATE	VERSION
Fish Dryer Smoker	J. Zeron	A. Morillo	09/08/2021	1.0
PART NAME	FILE NAME			POS
3d views	ilo_fds_fish-dryer_smoker.iam			A1
DEVELOPED BY	REDESIGNED BY	DOC. TYPE	MATERIAL	QUANTITY
		Assembly		
International Labour Office OHO e.V.		LICENCE	SCALE	SHEET
		CC-BY-SA 4.0	1:35	1 / 12

EXPLOSION (1 : 30)

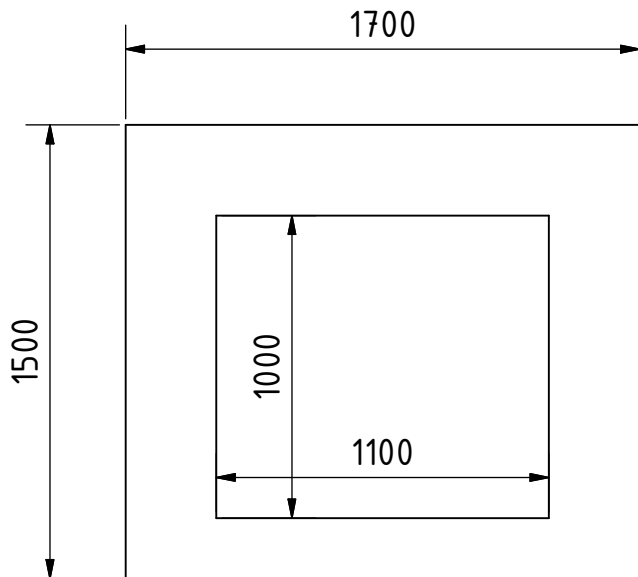
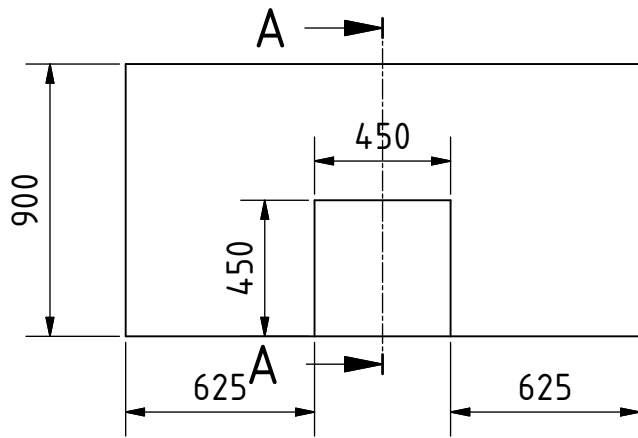


PROJECT	CREATED BY	APPROVED BY	DATE	VERSION
Fish Dryer Smoker	J. Zeron	A. Morillo	09/08/2021	1.0
PART NAME	FILE NAME			POS
Exploded 3d view	ilo_fds_fish-dryer_smoker.ipn			A2
DEVELOPED BY	REDESIGNED BY	DOC. TYPE	MATERIAL	QUANTITY
		Assembly		
International Labour Office	OHO e.V.	LICENCE	SCALE	SHEET
		CC-BY-SA 4.0	1:30	2 /12

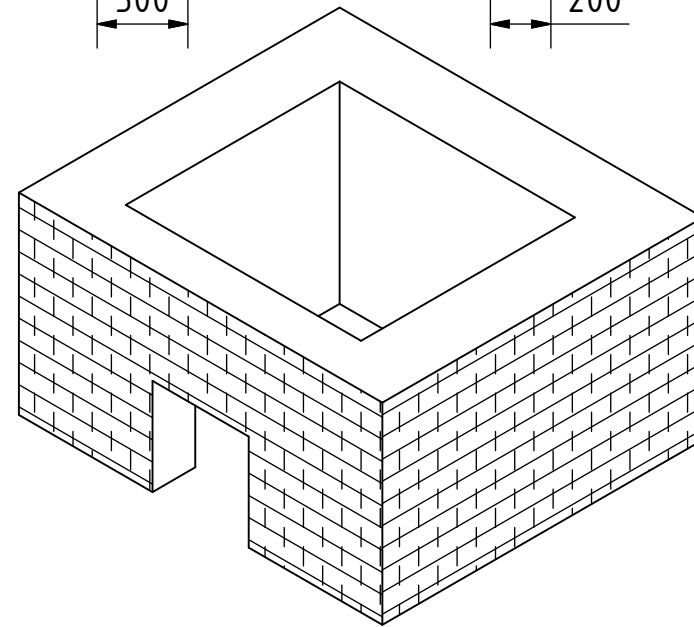
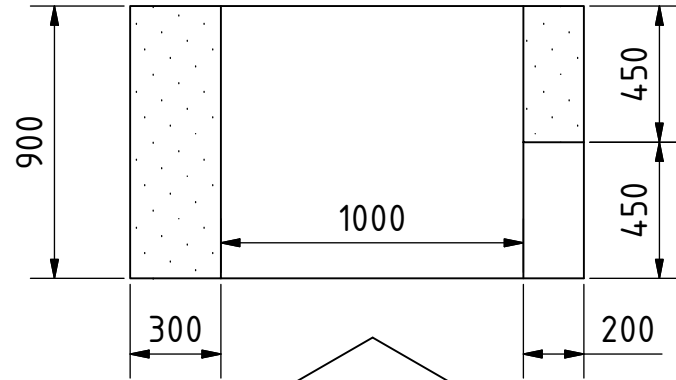
Parts list

POS	QTY	PART NAME	FILE NAME	PART TYPE	SPECIFICATIONS	SHEET
A1	-	3d views	ilo_fds_fish-dryer_smoker.iam	-	-	1
A2	-	Exploded 3d view	ilo_fds_fish-dryer_smoker.ipn	-	-	2
B1	-	Parts list	ilo_fds_fish-dryer_smoker.csv	-	-	3
1	1	Fire box	Fire box.ipt	Production	Made with clay blocks	4
2	4	Wooden column	-	Production	Kiln dried wood 50x50x1125mm	-
3	4	Wooden beam A	-	Production	Kiln dried wood 50x50x1200mm	-
4	4	Wooden beam B	-	Production	Kiln dried wood 50x50x1125mm	-
5	14	Wooden beam C	-	Production	Kiln dried wood 40x40x1200mm	-
6	1	Top cover	Top cover.ipt	Production	0.7mm thick corrugated metal sheet 1225x1300mm	5
7	1	Back cover	Back cover.ipt	Production	0.7mm thick corrugated metal sheet 1300x1125mm	6
8	2	Side cover	Side cover.ipt	Production	0.7mm thick corrugated metal sheet 1225x1125mm	7
9	2	Door frame A	-	Production	Kiln dried wood 40x25x1025mm	-
10	2	Door frame B	-	Production	Kiln dried wood 40x25x520mm	-
11	2	Door cover	Door cover.ipt	Production	0.7mm thick corrugated metal sheet 600x1025mm	8
12	16	Handle	Handle.ipt	Production	Steel A36 bar 10mm	9
13	4	Hinge	-	Buy	Brass 50x72mm	-
14	7	Tray sheet A	Tray sheet A.ipt	Production	1 mm thick Galv. Steel sheet 1100x1200mm	10
15	14	Tray sheet B	Tray sheet B.ipt	Production	1 mm thick Galv. Steel sheet 1200x100mm	11
16	14	Tray sheet C	Tray sheet C.ipt	Production	1 mm thick Galv. Steel sheet 1100x100mm	12
17	16	Nails long	-	Buy	Steel nails 3.1x75mm	-
18	36	Nails short	-	Buy	Steel nails 1.4x25mm	-


PROJECT		CREATED BY		APPROVED BY		DATE		VERSION	
Fish Dryer Smoker		J. Zeron		A. Morillo		09/08/2021		1.0	
PART NAME			FILE NAME				POS		
Parts list			ilo_fds_fish-dryer_smoker.csv				B1		
DEVELOPED BY			REDESIGNED BY		DOC. TYPE		MATERIAL		QUANTITY
					Parts list				
International Labour Office			OHO e.V.		CC-BY-SA 4.0		SCALE		SHEET
									3 / 12

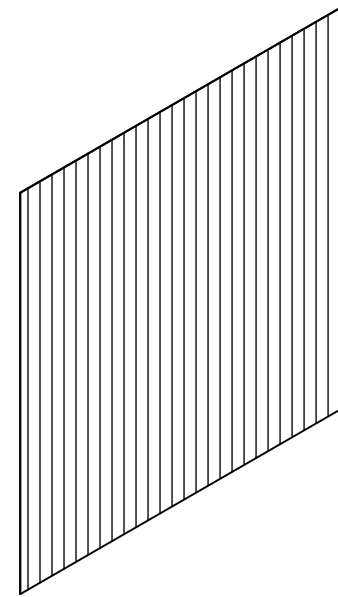
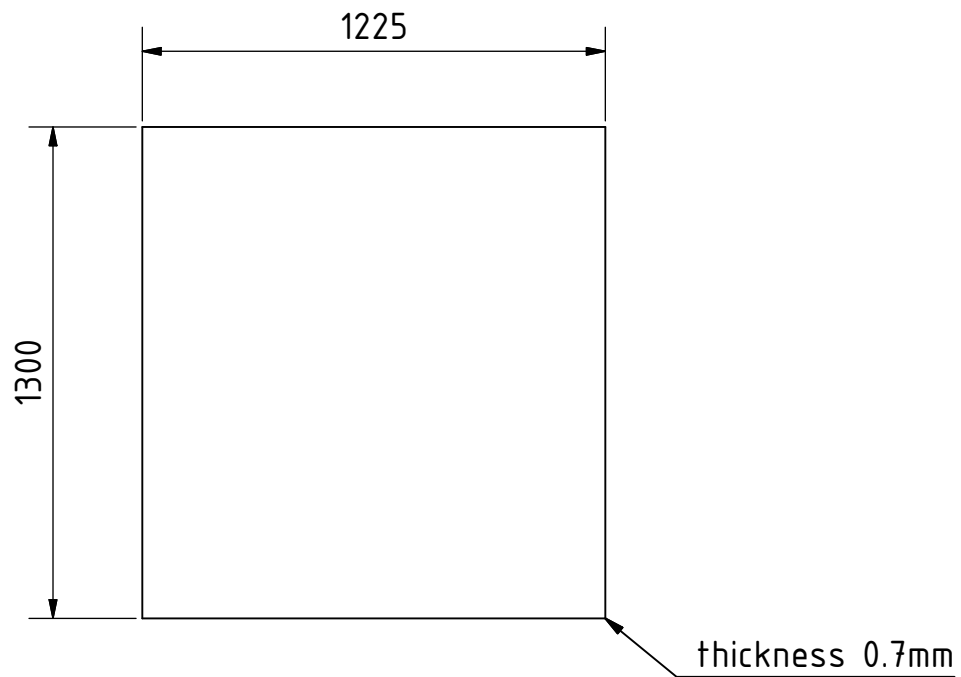


A-A (1 : 25)




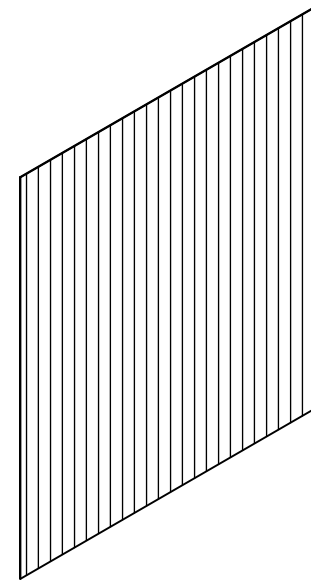
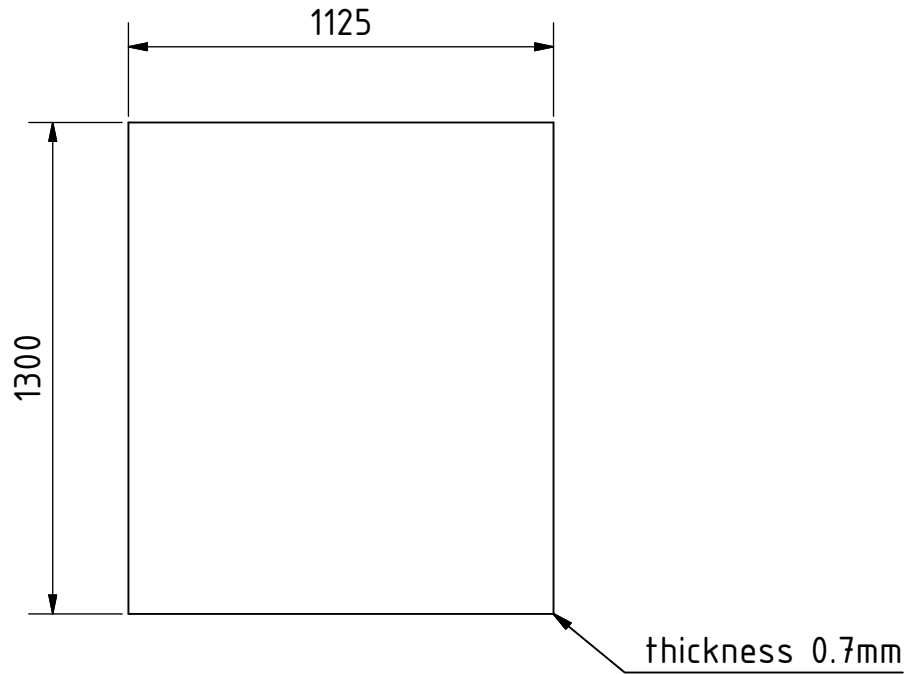
Note: All units in mm.

PROJECT	CREATED BY	APPROVED BY	DATE	VERSION
Fish Dryer Smoker	J. Zeron	A. Morillo	09/08/2021	1.0
PART NAME	FILE NAME			POS
Fire box	Fire box.ipt			1
DEVELOPED BY	REDESIGNED BY	DOC. TYPE	MATERIAL	QUANTITY
		Part	Made with clay blocks	1
International Labour Office	OHO e.V.	LICENCE	SCALE	SHEET
		CC-BY-SA 4.0	1:25	4 /12




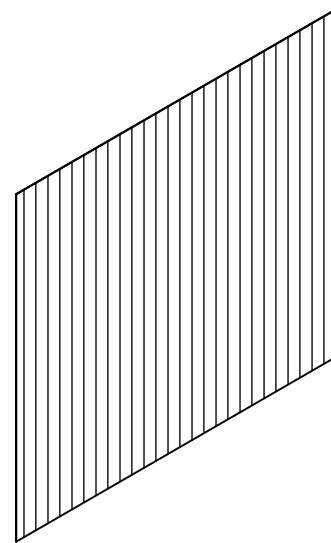
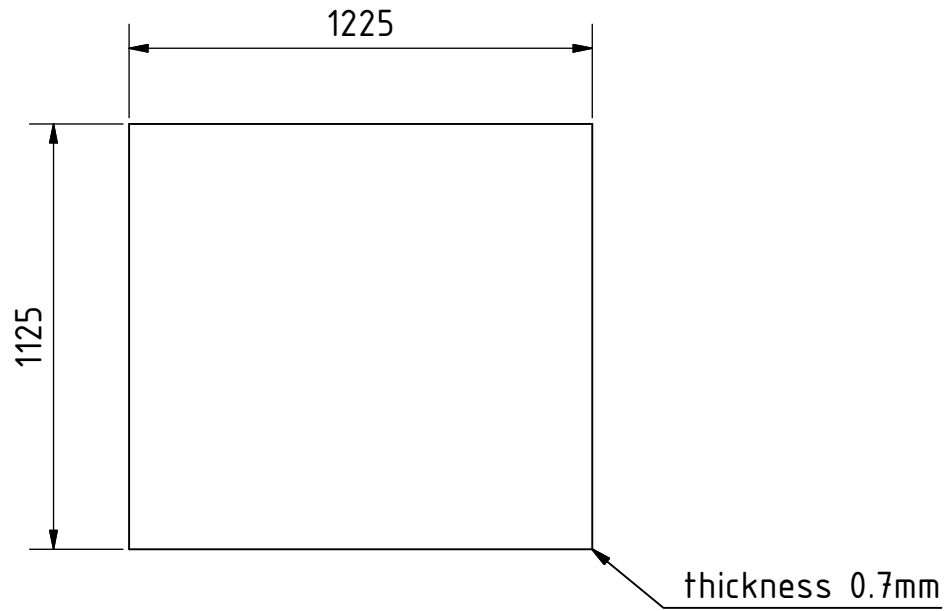
Note: All units in mm.

PROJECT	CREATED BY	APPROVED BY	DATE	VERSION
Fish Dryer Smoker	J. Zeron	A. Morillo	09/08/2021	1.0
PART NAME	FILE NAME			POS
Top cover	Top cover.ipt			6
DEVELOPED BY	REDESIGNED BY	DOC. TYPE	MATERIAL	QUANTITY
		Part	Corrugated metal	1
International Labour Office	OHO e.V.	LICENCE	SCALE	SHEET
		CC-BY-SA 4.0	1:20	5 /12




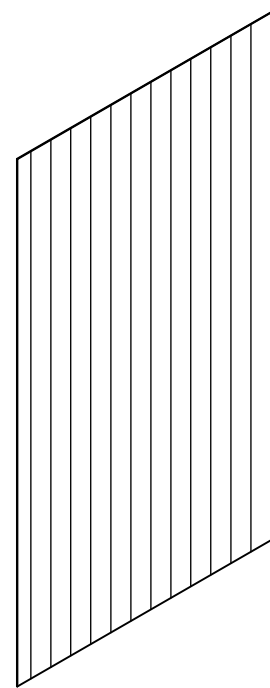
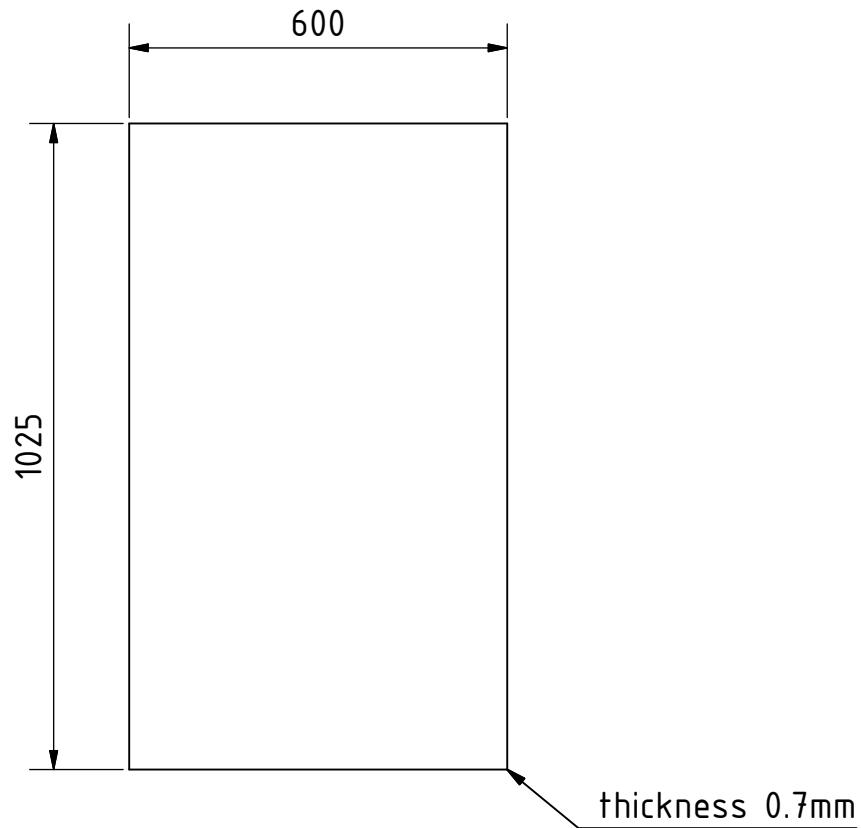
Note: All units in mm.

PROJECT	CREATED BY	APPROVED BY	DATE	VERSION
Fish Dryer Smoker	J. Zeron	A. Morillo	09/08/2021	1.0
PART NAME	FILE NAME			POS
Back cover	Back cover.ipt			7
DEVELOPED BY	REDESIGNED BY	DOC. TYPE	MATERIAL	QUANTITY
		Part	Corrugated metal	1
International Labour Office	OHO e.V.	LICENCE	SCALE	SHEET
		CC-BY-SA 4.0	1:20	6 /12




Note: All units in mm.

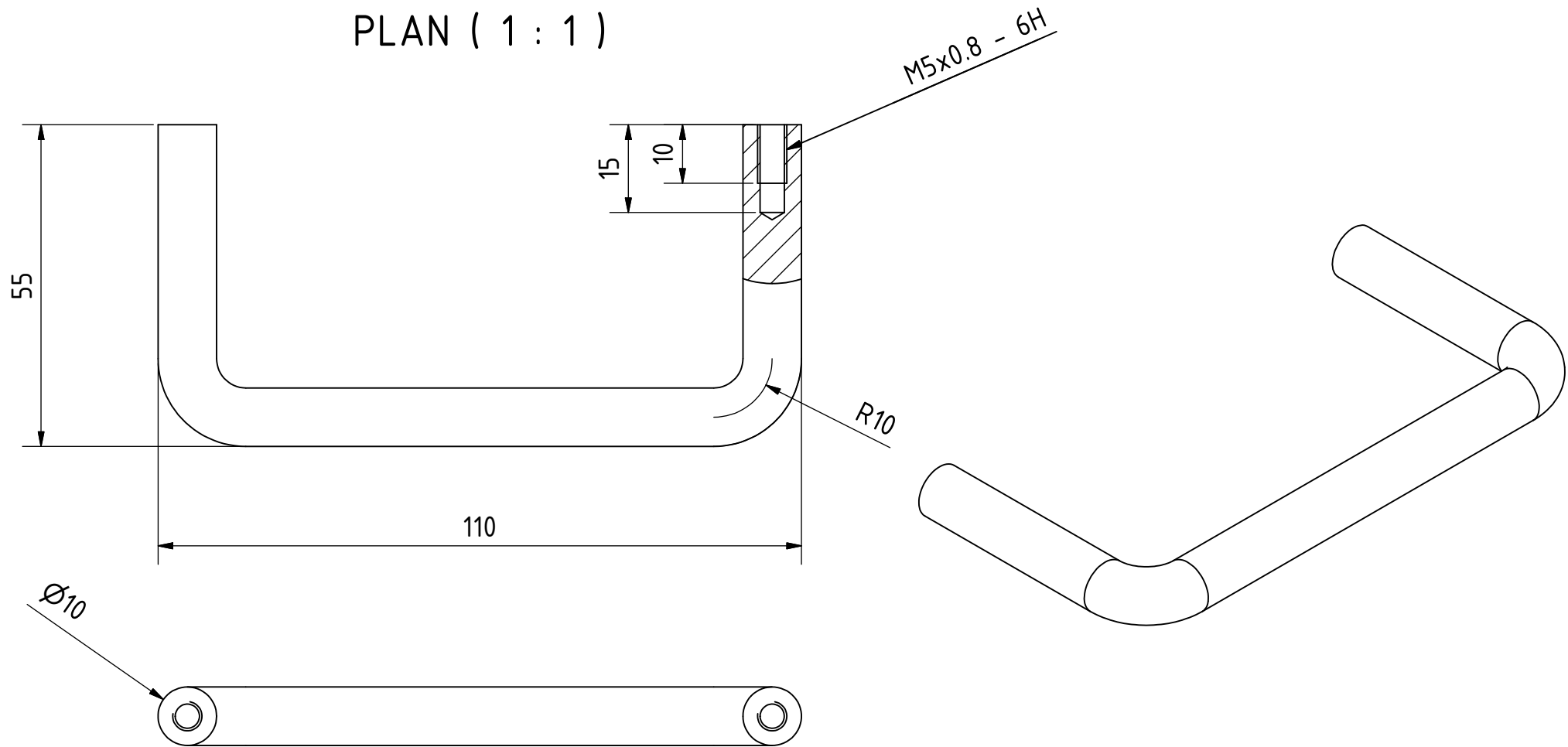
PROJECT	CREATED BY	APPROVED BY	DATE	VERSION
Fish Dryer Smoker	J. Zeron	A. Morillo	09/08/2021	1.0
PART NAME	FILE NAME			POS
Side cover	Side cover.ipt			8
DEVELOPED BY	REDESIGNED BY	DOC. TYPE	MATERIAL	QUANTITY
		Part	Corrugated metal	2
International Labour Office	OHO e.V.	LICENCE	SCALE	SHEET
		CC-BY-SA 4.0	1:20	7 /12




Note: All units in mm.

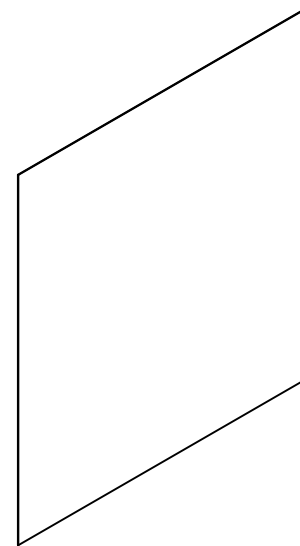
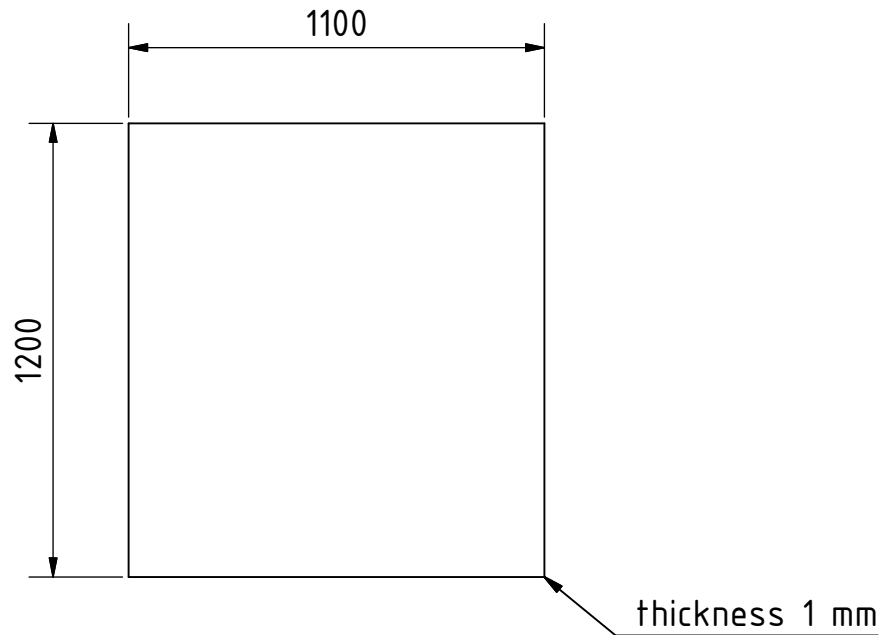
PROJECT	CREATED BY	APPROVED BY	DATE	VERSION
Fish Dryer Smoker	J. Zeron	A. Morillo	09/08/2021	1.0
PART NAME	FILE NAME			POS
Door cover	Door cover.ipt			11
DEVELOPED BY	REDESIGNED BY	DOC. TYPE	MATERIAL	QUANTITY
		Part	Corrugated metal	2
International Labour Office	OHO e.V.	LICENCE	SCALE	SHEET
		CC-BY-SA 4.0	1:12	8 /12

PLAN (1 : 1)



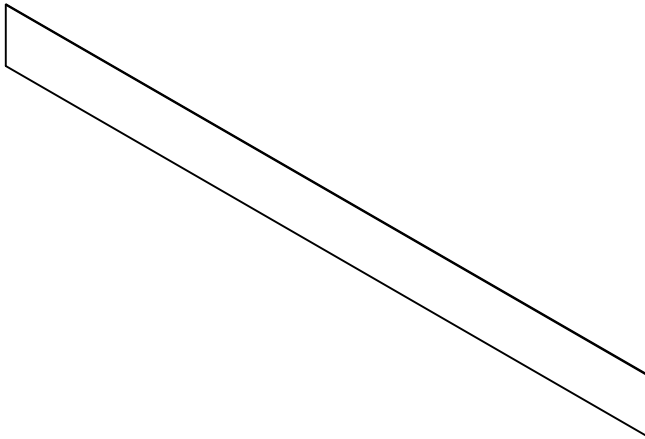
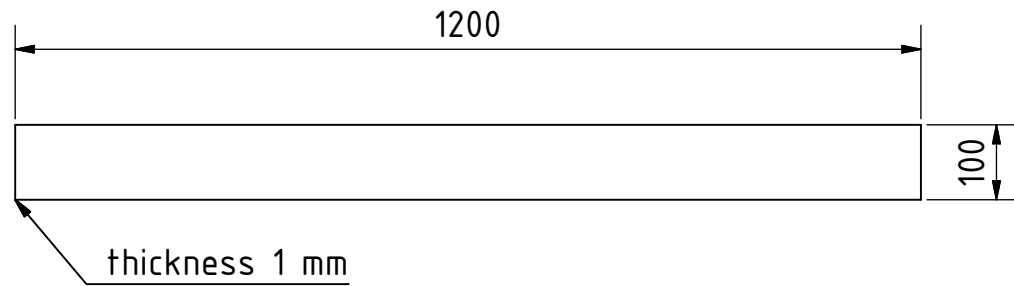
Note: All units in mm.

PROJECT	CREATED BY	APPROVED BY	DATE	VERSION
Fish Dryer Smoker	J. Zeron	A. Morillo	09/08/2021	1.0
PART NAME	FILE NAME			POS
Handle	Handle.ipt			12
DEVELOPED BY	REDESIGNED BY	DOC. TYPE	MATERIAL	QUANTITY
		Part	Steel A36	16
International Labour Office	OHO e.V.	LICENCE	SCALE	SHEET
		CC-BY-SA 4.0	1:2	9 /12



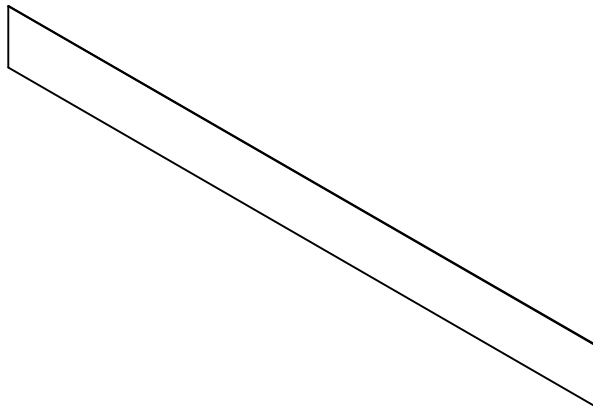
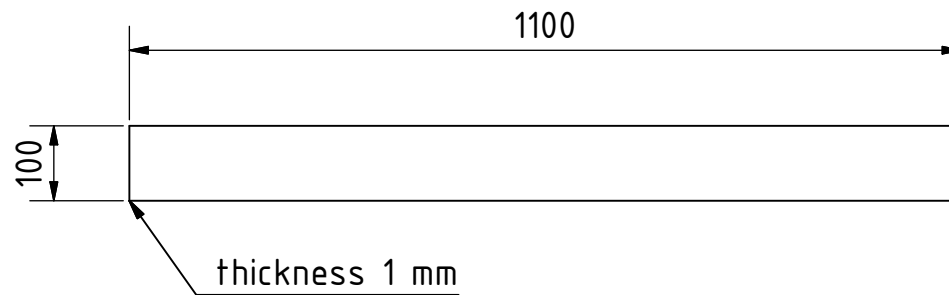
Note: All units in mm.

PROJECT	CREATED BY	APPROVED BY	DATE	VERSION
Fish Dryer Smoker	J. Zeron	A. Morillo	09/08/2021	1.0
PART NAME	FILE NAME			POS
Tray sheet A	Tray sheet A.ipt			14
DEVELOPED BY	REDESIGNED BY	DOC. TYPE	MATERIAL	QUANTITY
		Part	Galv. Steel	7
International Labour Office	OHO e.V.	LICENCE	SCALE	SHEET
		CC-BY-SA 4.0	1:20	10 /12



Note: All units in mm.

PROJECT	CREATED BY	APPROVED BY	DATE	VERSION
Fish Dryer Smoker	J. Zeron	A. Morillo	09/08/2021	1.0
PART NAME	FILE NAME			POS
Tray sheet B	Tray sheet B.ipt			15
DEVELOPED BY	REDESIGNED BY	DOC. TYPE	MATERIAL	QUANTITY
		Part	Galv. Steel	14
		LICENCE	SCALE	SHEET
International Labour Office	OHO e.V.	CC-BY-SA 4.0	1:10	11 /12



Note: All units in mm.

PROJECT	CREATED BY	APPROVED BY	DATE	VERSION
Fish Dryer Smoker	J. Zeron	A. Morillo	09/08/2021	1.0
PART NAME	FILE NAME			POS
Tray sheet C	Tray sheet C.ipt			16
DEVELOPED BY	REDESIGNED BY	DOC. TYPE	MATERIAL	QUANTITY
		Part	Galv. Steel	14
		LICENCE	SCALE	SHEET
International Labour Office	OHO e.V.	CC-BY-SA 4.0	1:10	12 /12