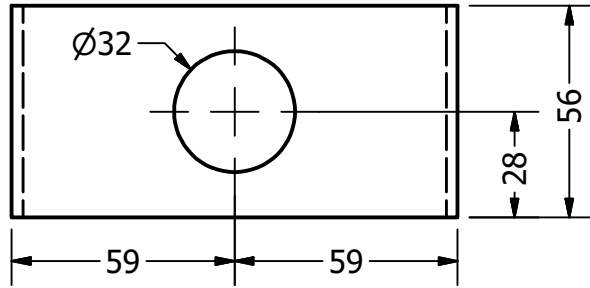


2

1

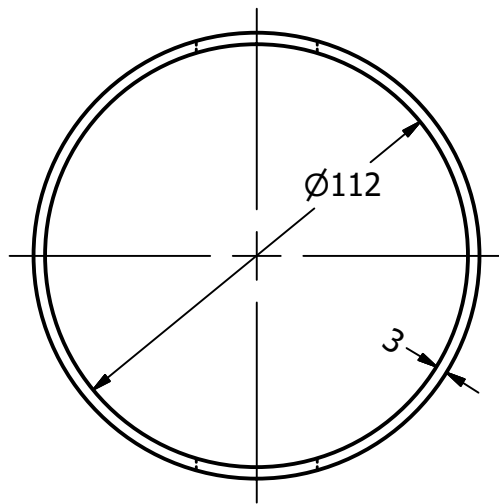
D

D



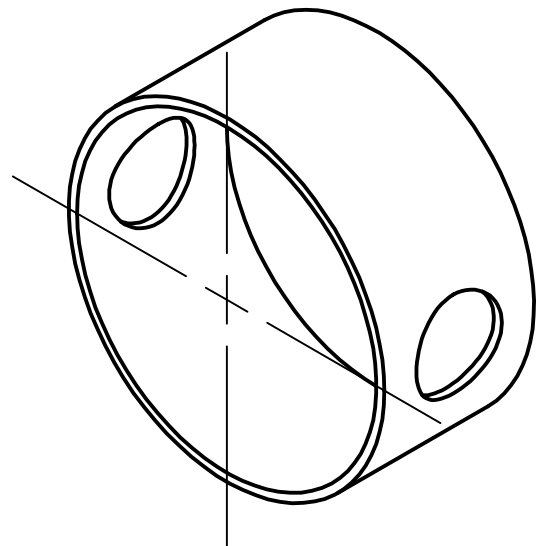
C

C





B

B



A

A

<b>Proyect</b> Wind Mill Pump		<b>Created by</b> D. Mosquera		<b>Approved by</b> D. Jaeger	
<b>Part Name</b> Pumpbody oring		<b>Part Code</b> 4.1		<b>Document Type</b> part	
<b>Redesigned by</b>  OPEN SOURCE ECOLOGY GERMANY		<b>Supported by</b>  E.ON STIFTUNG		<b>Material</b> Steel C45	
<b>License</b> CC BY-SA 4.0		<b>File Name</b> oseg_wmp_pumpbody.ipt		<b>Version</b> 1.0	
		<b>Scale</b> 1 / 2		<b>Quantity</b> 39	
				<b>Date</b> 28.02.21	

2

1

