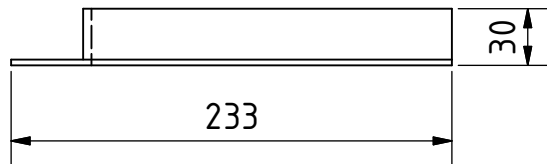
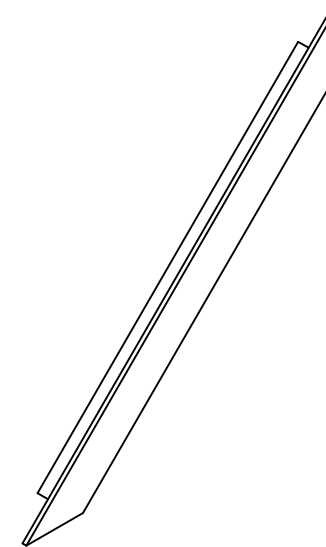
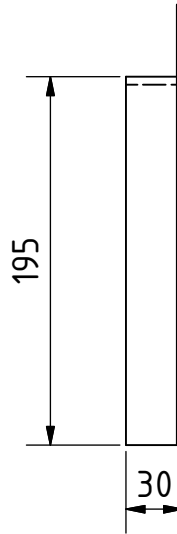
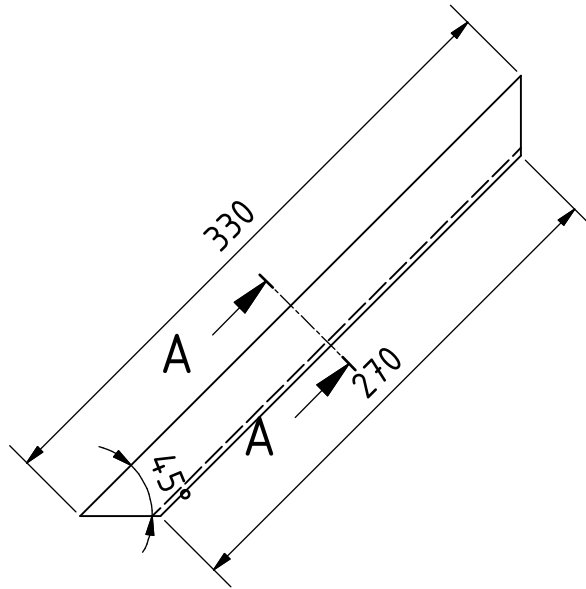
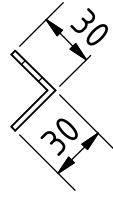


A-A ( 1 : 4 )



Note: All units in mm.

PROJECT Power Thresher for rice and wheat	CREATED BY J. Zeron	APPROVED BY A. Morillo	DATE 30/08/2021	VERSION 1.0
PART NAME Angle I	FILE NAME Angle I.ipt			POS 1.10
DEVELOPED BY Practical Action	REDESIGNED BY OHO e.V.	DOC. TYPE Part	MATERIAL Steel A36	QUANTITY 2
		LICENCE CC-BY-SA 4.0	SCALE 1:4	SHEET 8 /43

