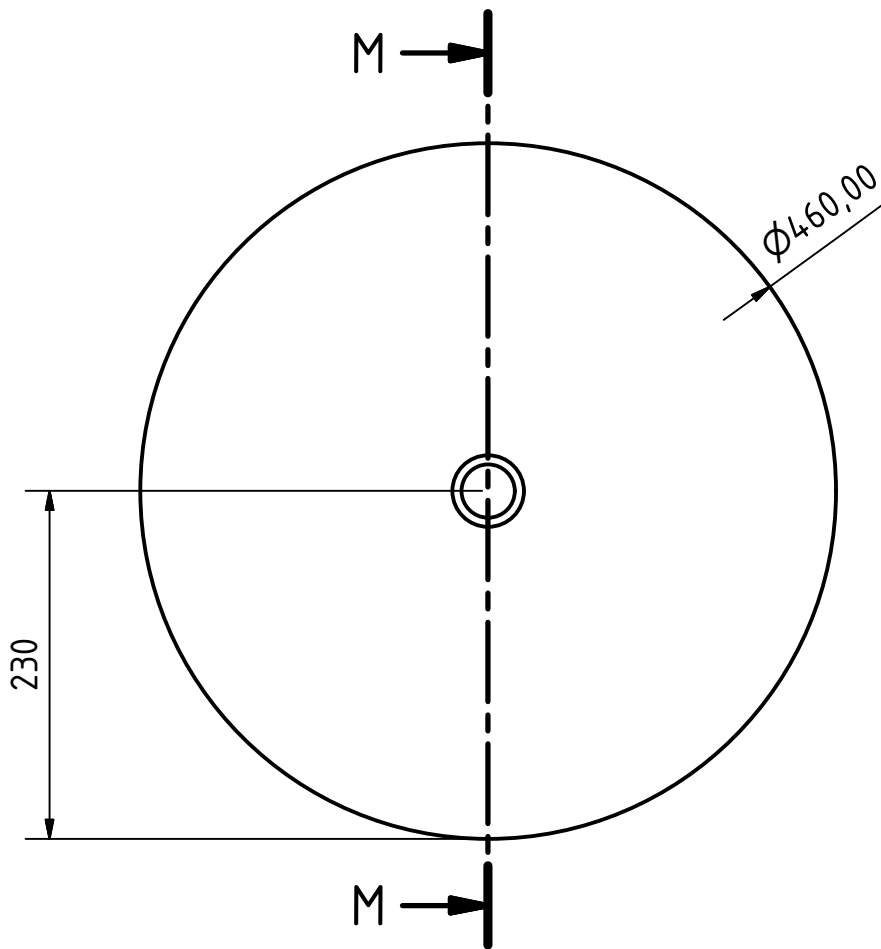
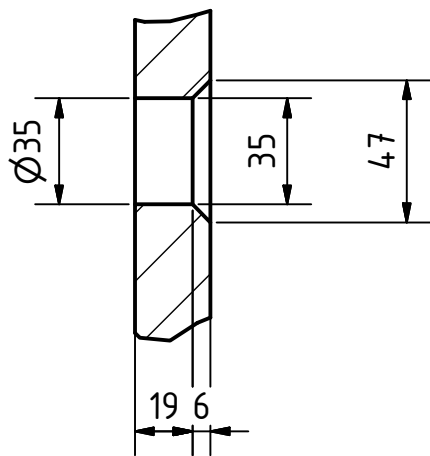
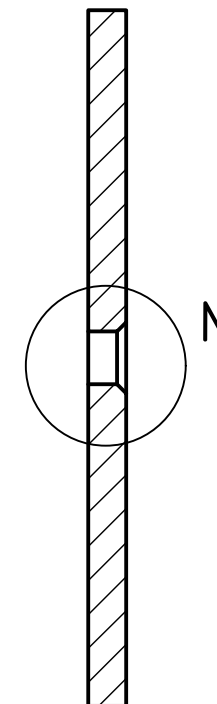


SCALE (1 : 8)

N (0,40 : 1)



VIEW101 (1 : 5)



M-M (1 : 5)

Note: All units in mm. Cutting wooden parts with manual tool.

PROJECT Peeling Machine for Sunflower Seeds		CREATED BY L. Ruda	APPROVED BY A. Morillo	DATE 16/09/2021	VERSION 1.0
PART NAME Flywheel		FILE NAME Flywheel.ipt			POS 4.1.0
DEVELOPED BY	REDESIGNED BY	DOC. TYPE Part	MATERIAL Kiln dried wood	QUANTITY 1	
Tropical Products Institute OHO e.V.		LICENCE CC-BY-SA 4.0	SCALE 1:5	SHEET 52 /71	