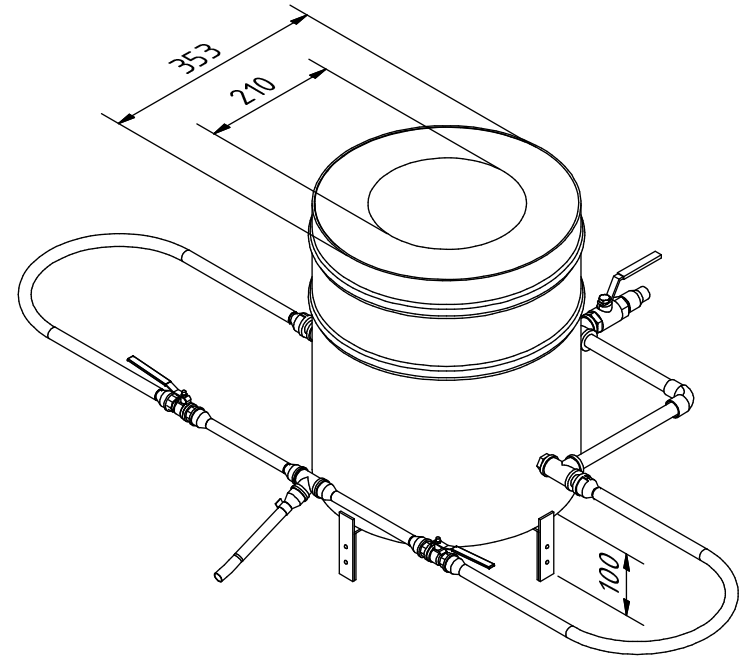
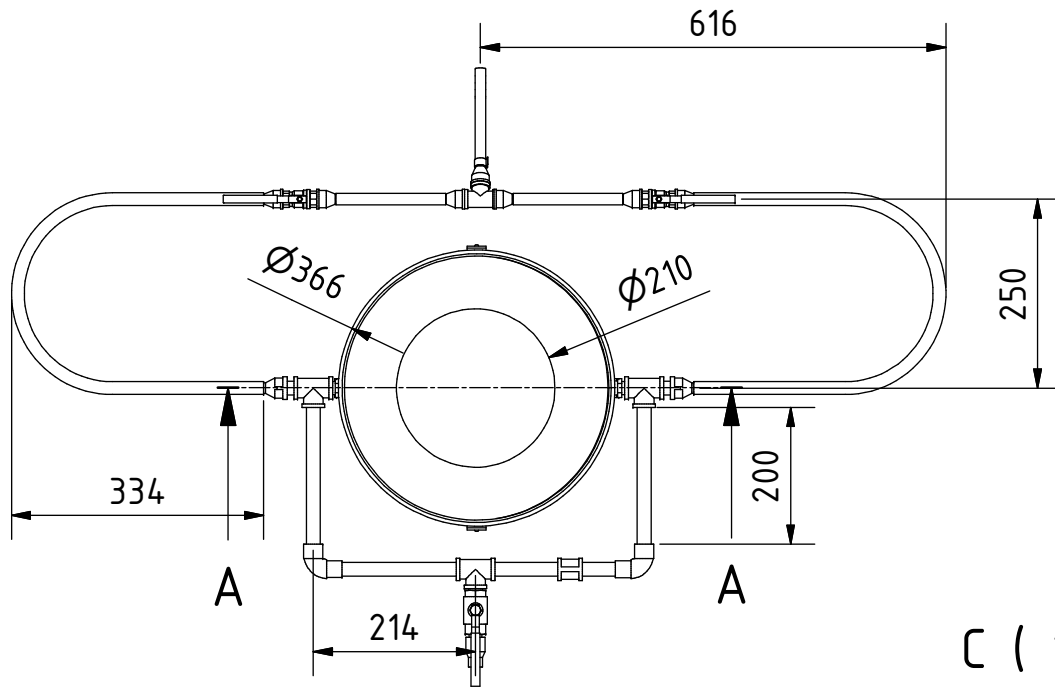
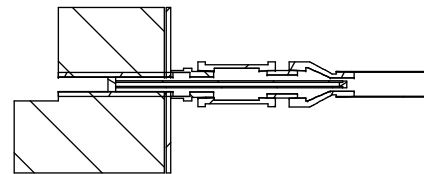


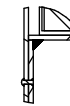
# PLAN ( 1 : 10 )



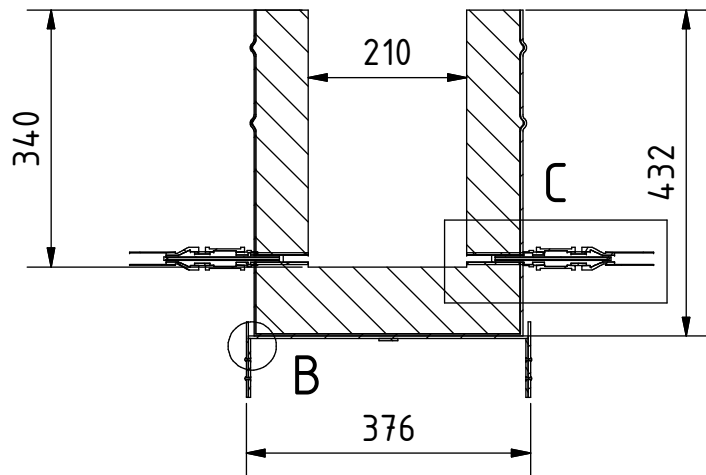
# C ( 1 : 5 )



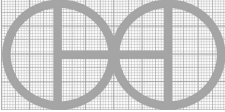
# B ( 1 : 5 )



# A-A ( 1 : 10 )



Note: All units in mm.

PROJECT	CREATED BY	APPROVED BY	DATE	VERSION
Smelting Furnace	J. Zeron	A. Morillo	01/08/2021	1.0
PART NAME	FILE NAME			POS
3d views	pm_sf_smelting-fumace.iam			A1
DEVELOPED BY	REDESIGNED BY	DOC. TYPE	MATERIAL	QUANTITY
		Assembly		1
Popular Mechanics No. 297 OHO e.V.		LICENCE	SCALE	SHEET
		CC-BY-SA 4.0	1:10	1 / 16