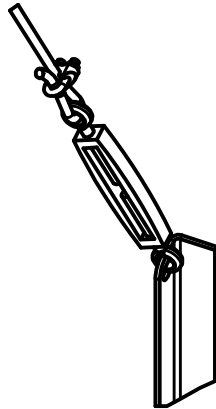
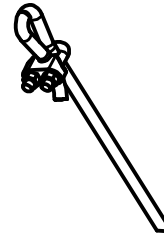


Det.D

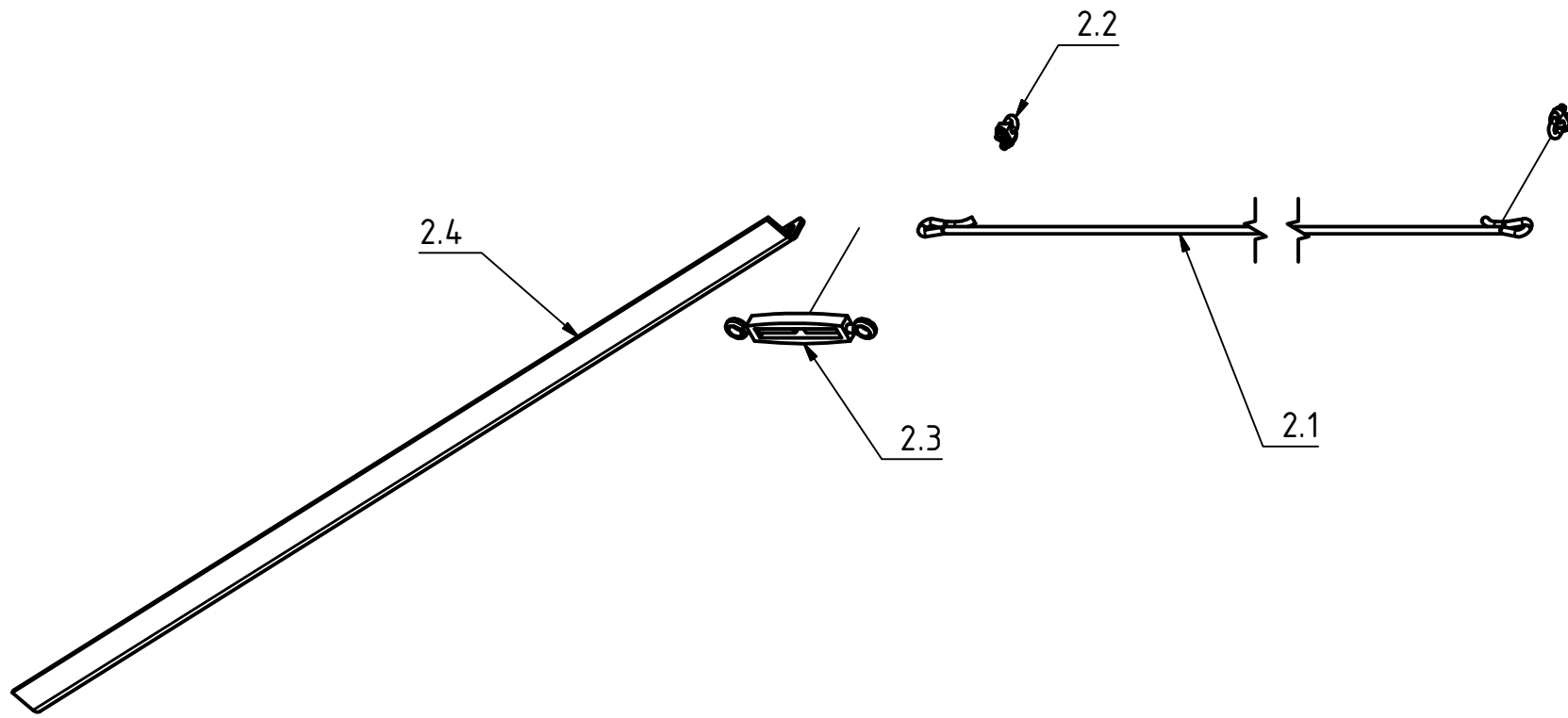



Det.E



Note: All units in mm.

PROJECT	CREATED BY	APPROVED BY	DATE	VERSION
Vertical Axis Sail Windmill	D. Mosquera	A. Morillo	12/07/2021	1.0
PART NAME	FILE NAME			POS
Tenioner	oho_vsw_tenioner.iam			2.0
DEVELOPED BY	REDESIGNED BY	DOC. TYPE	MATERIAL	QUANTITY
Low Energy Systems	 OPEN SOURCE ECOLOGY GERMANY	Assembly		6
		OSEG	LICENCE	SCALE
		CC-BY-SA 4.0	1:5	12 /27



PROJECT	CREATED BY	APPROVED BY	DATE	VERSION
Vertical Axis Sail Windmill	D. Mosquera	A. Morillo	12/07/2021	1.0
PART NAME	FILE NAME			POS
Tenioner	oho_vsw_tenioner.ipn			2.0
DEVELOPED BY	REDESIGNED BY	DOC. TYPE	MATERIAL	QUANTITY
	 OPEN SOURCE ECOLOGY GERMANY	Assembly		8
Low Energy Systems		CC-BY-SA 4.0	SCALE	SHEET
	OSEG			13 /27