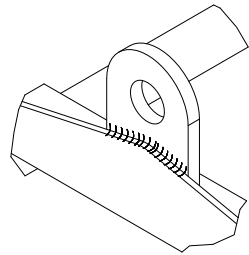
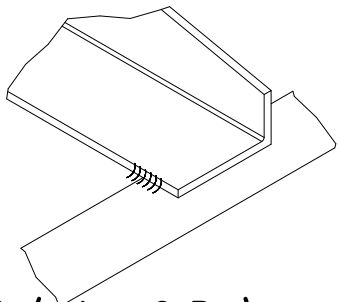


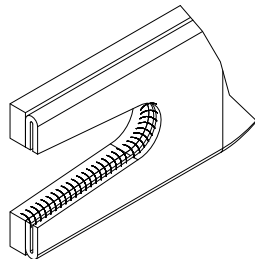
H ( 1 : 3 )



J ( 1 : 3 )

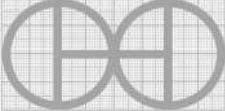


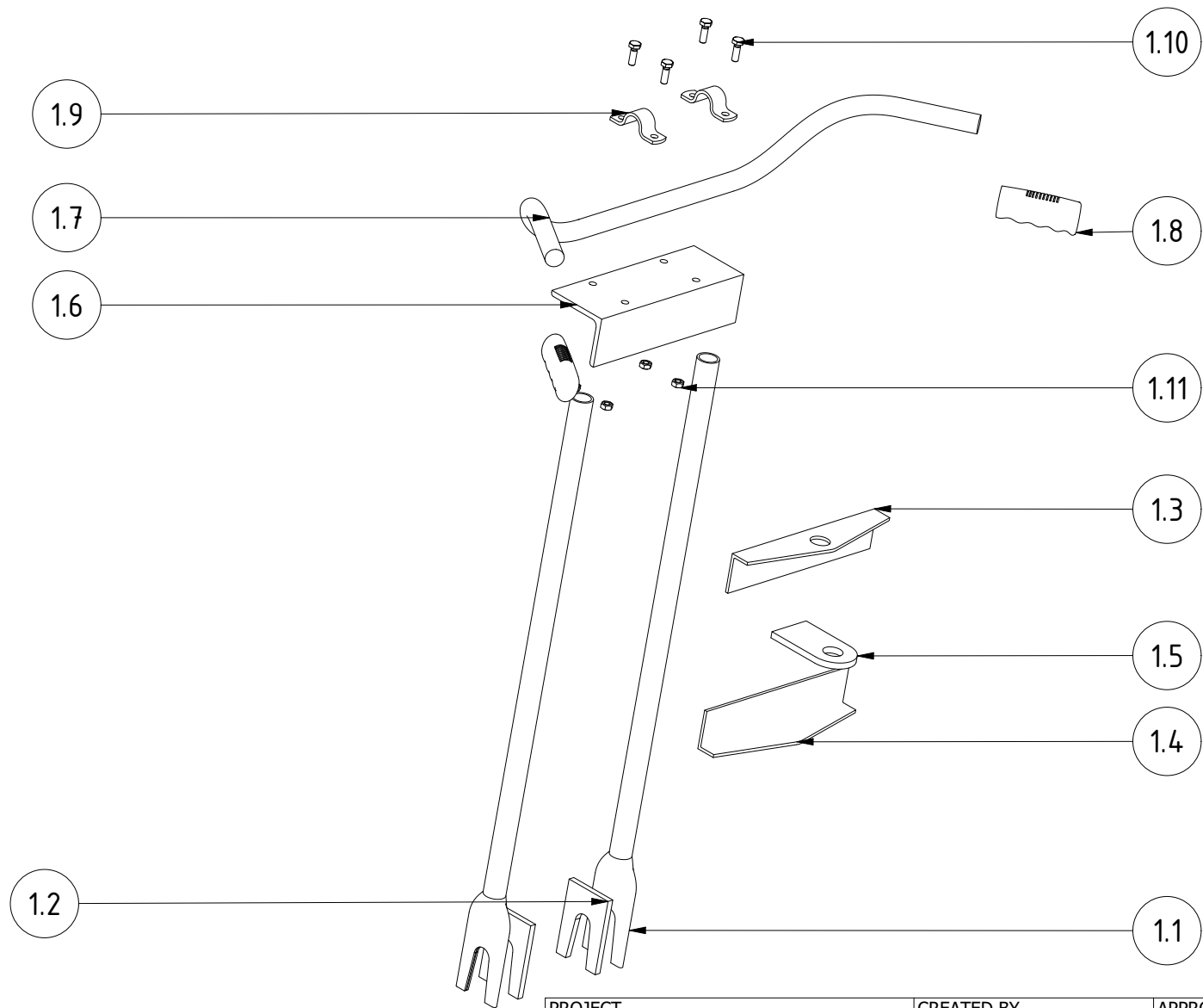
F ( 1 : 2.3 )

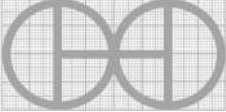


G ( 1 : 2.2 )

Note: All units in mm.

PROJECT	CREATED BY	APPROVED BY	DATE	VERSION
Scooter with fat tire	J. Rosciano	A. Morillo	31/08/2021	1.2
PART NAME	FILE NAME			POS
Handle assembly	Handle assembly.iam			1.0
DEVELOPED BY	REDESIGNED BY	DOC. TYPE	MATERIAL	QUANTITY
		Assembly		1
		LICENCE	SCALE	SHEET
OHO	OHO e.V.	CC-BY-SA 4.0	1/8	8 /65



PROJECT	CREATED BY	APPROVED BY	DATE	VERSION
Scooter with fat tire	J. Rosciano	A. Morillo	31/08/2021	1.2
PART NAME	FILE NAME			POS
Handle assembly	Handle assembly.ipn			1.0
DEVELOPED BY	REDESIGNED BY	DOC. TYPE	MATERIAL	QUANTITY
		Assembly		1
OHO	OHO e.V.	LICENCE	SCALE	SHEET
		CC-BY-SA 4.0	1/6	9 /65