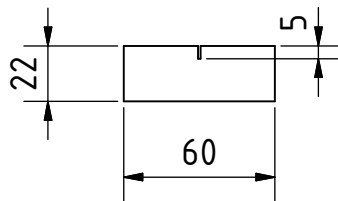
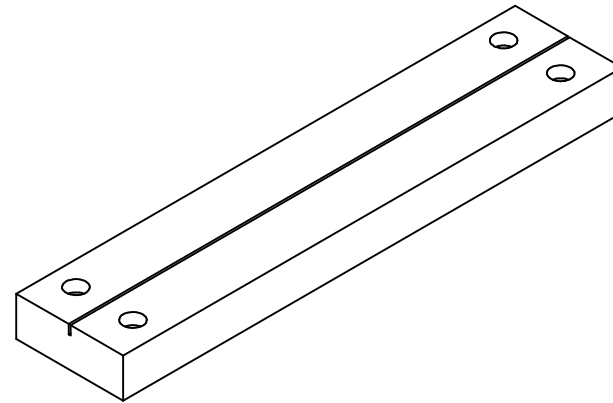
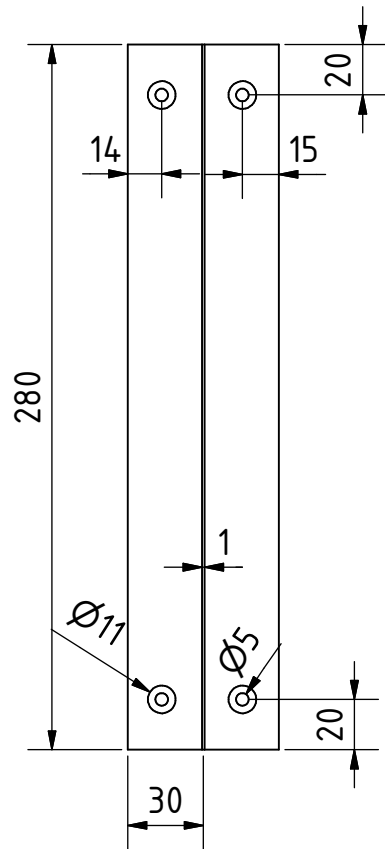



PLAN (1 : 3)



Note: All units in mm.

PROJECT Electrical Saw for Small Metal Works	CREATED BY J. Zeron	APPROVED BY A. Morillo	DATE 10/08/202	VERSION 1.0
PART NAME Cutting board	FILE NAME Cutting board.ipt			POS 2
PUBLISHED ON	DOC. TYPE Part	MATERIAL Hardwood		QUANTITY 1
 OPEN HARDWARE OBSERVATORY Free Blueprints for Sustainable Development www.oho.wiki	LICENCE CC-BY-SA 4.0	SCALE 1:3	SHEET 5 /11	