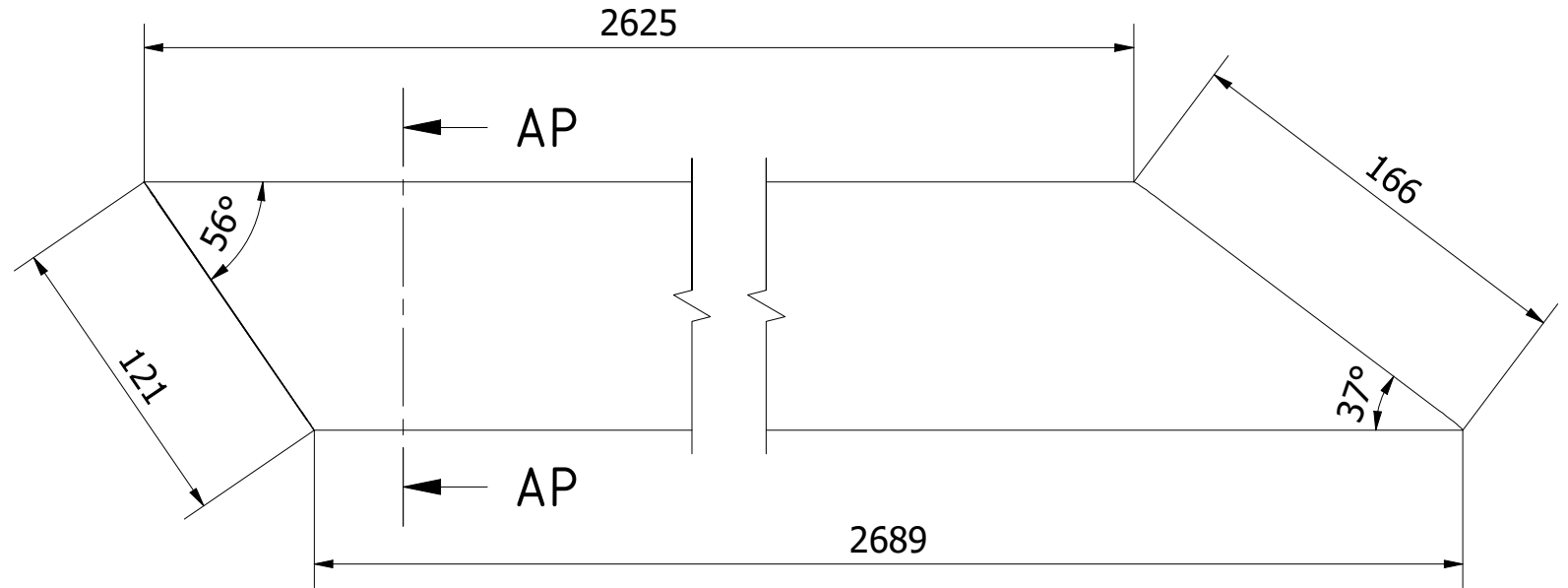



AP-AP (1 : 3)



Note: All units in mm.

PROJECT Wind turbine with vertical metal drum sails	CREATED BY J. Rosciano	APPROVED BY A. Morillo	DATE 27/10/2021	VERSION 1.1
PART NAME Cross	FILE NAME Cross.ipt			POS 3.3
PUBLISHED BY  OPEN HARDWARE OBSERVATORY Free Blueprints for Sustainable Development	DOC. TYPE Part	MATERIAL ASTM A36	QUANTITY 8	
OHO e.V.	LICENCE CC-BY-SA 4.0	SCALE 1/3	SHEET 29 /41	