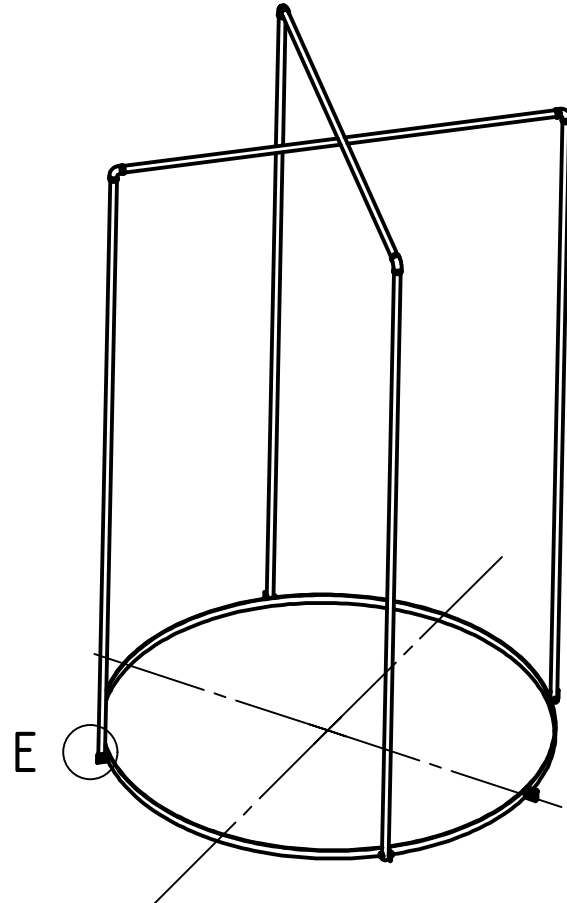
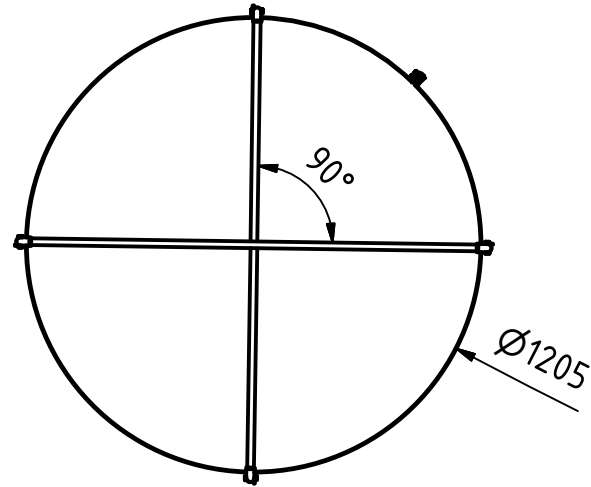
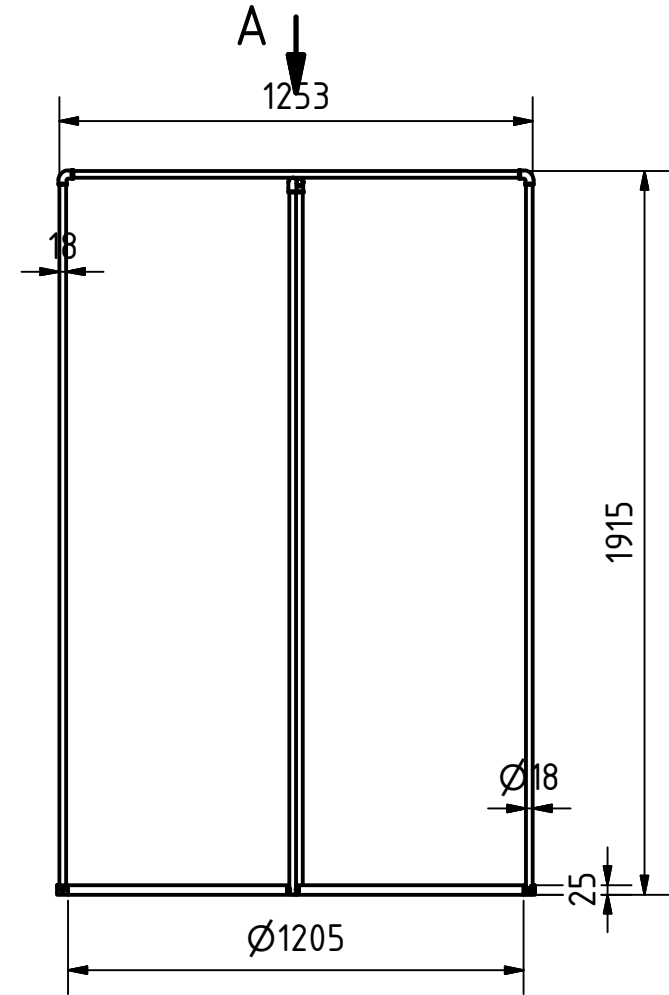


Det.E

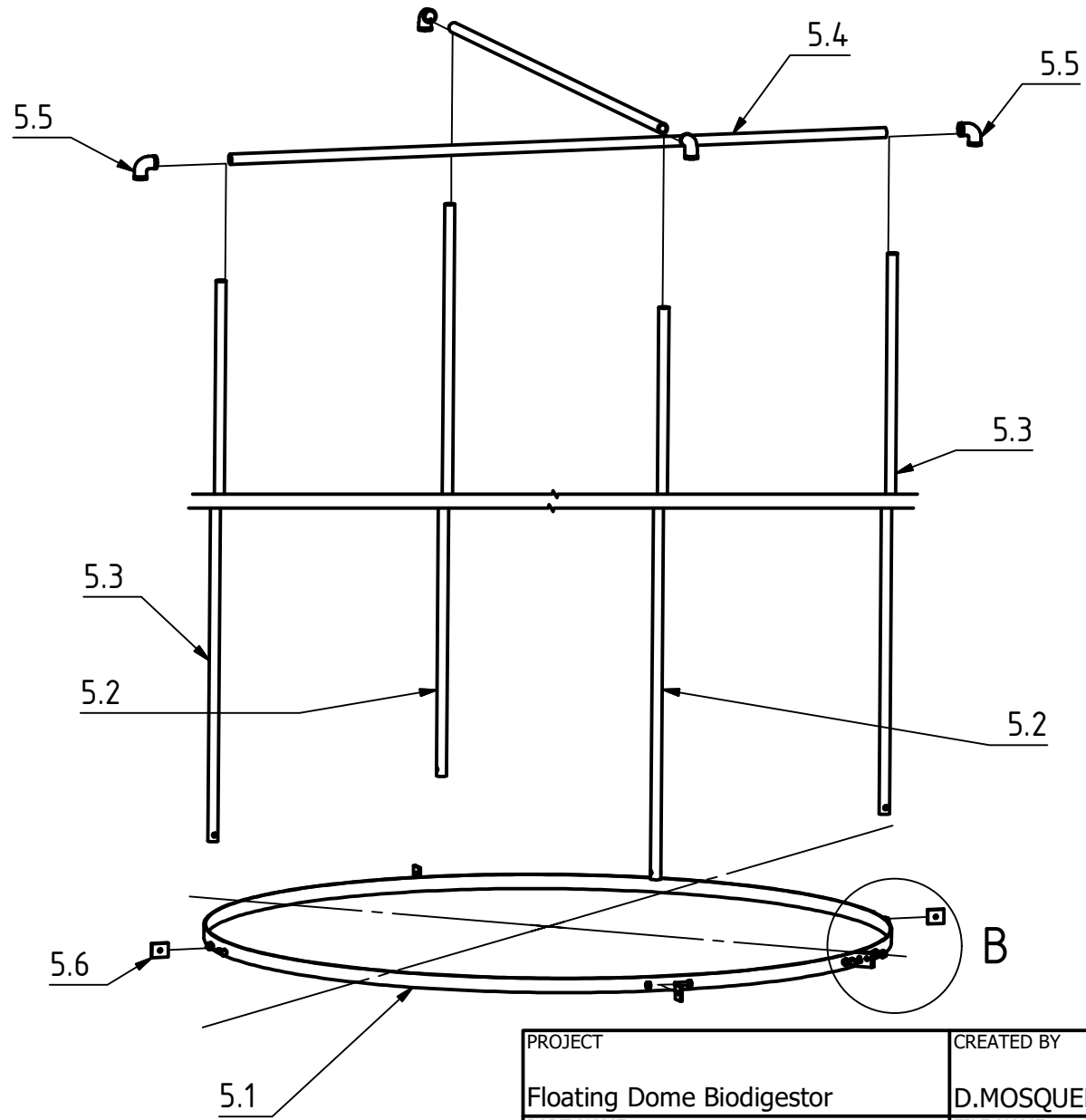
VIEW A



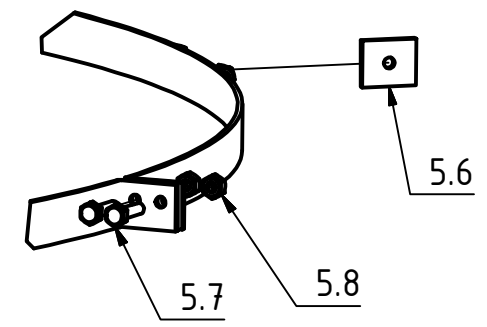
E




PROJECT		CREATED BY		APPROVED BY		DATE		VERSION		
Floating Dome Biodigester		D.MOSQUERA		D. JAEGER		02-06-21		1.0		
PART NAME		FILE NAME							PART CODE	
Limiting structure		aid_fdb_limiting-structure.iam							5.0	
DEVELOPED BY		REDESIGNED BY		DOC. TYPE		MATERIAL		QUANTITY		
Appropriate Infrastructure Development Group		 OPEN SOURCE ECOLOGY GERMANY		ASSEMBLY		SCALE		1		
				LICENCE				SHEET		
		OHO e.V.		CC-BY-SA 4.0		1:20		25 /40		



DET. B



PROJECT		CREATED BY		APPROVED BY		DATE		VERSION	
Floating Dome Biodigester		D.MOSQUERA		D. JAEGER		02-06-21		1.0	
PART NAME			FILE NAME				PART CODE		
Limiting structure			aid_fdb_limiting-structure.ipn				5.0		
DEVELOPED BY			REDESIGNED BY		DOC. TYPE		MATERIAL		QUANTITY
Appropriate Infrastructure Development Group			 OPEN SOURCE ECOLOGY GERMANY OHO e.V.		ASSEMBLY				1
					LICENCE		SCALE		SHEET
					CC-BY-SA 4.0		1:15		26 /40