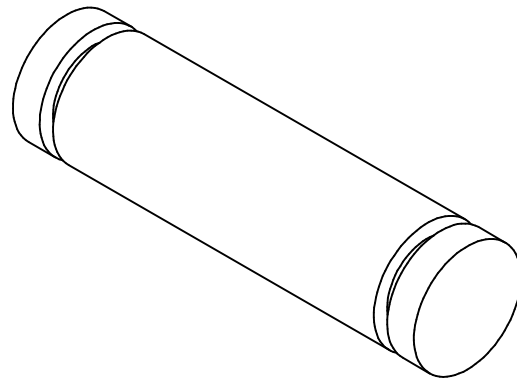
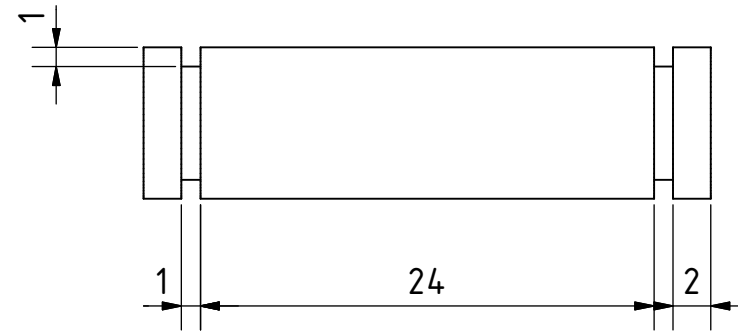
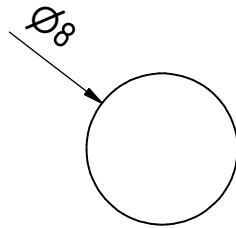



# ELEVATION ( 2.5 : 1 )



Note: All units in mm.

PROJECT Electrical Saw for Small Metal Works	CREATED BY J. Zeron	APPROVED BY A. Morillo	DATE 10/08/202	VERSION 1.0
PART NAME Bolt	FILE NAME Bolt.ipt			POS 6
PUBLISHED ON	DOC. TYPE Part		MATERIAL Steel C45	QUANTITY 1
 <b>OPEN HARDWARE OBSERVATORY</b> Free Blueprints for Sustainable Development <a href="http://www.oho.wiki">www.oho.wiki</a>		LICENCE CC-BY-SA 4.0	SCALE 2.5:1	SHEET 7 /11