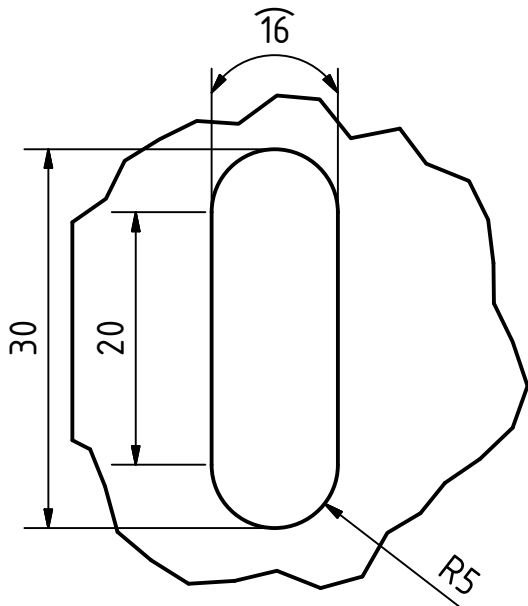
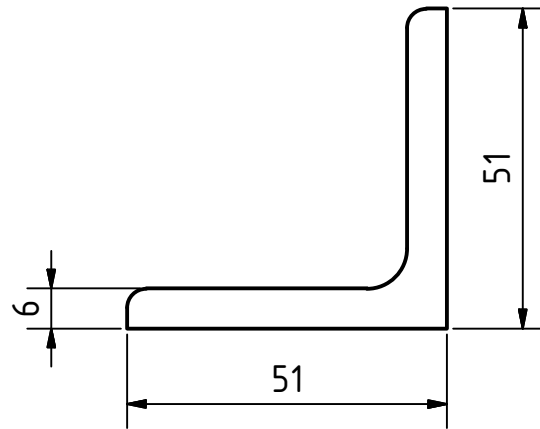


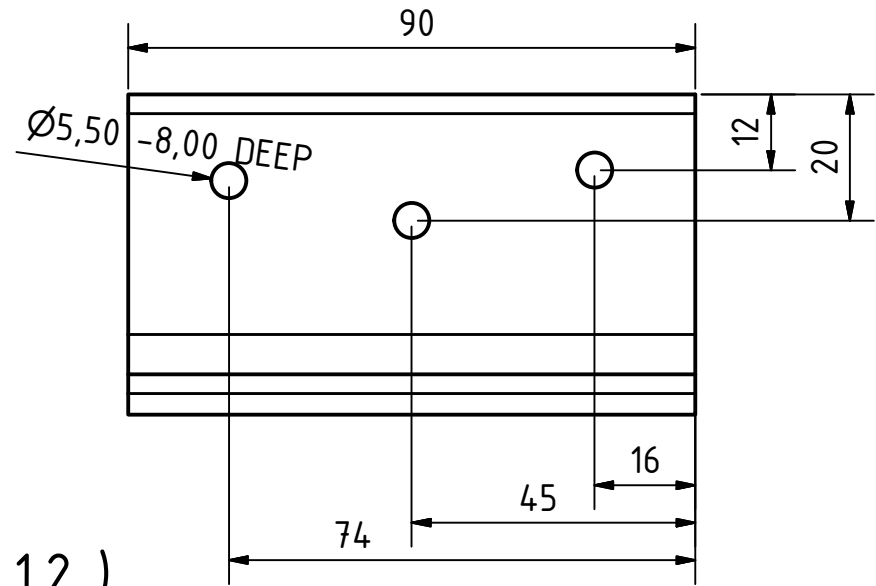
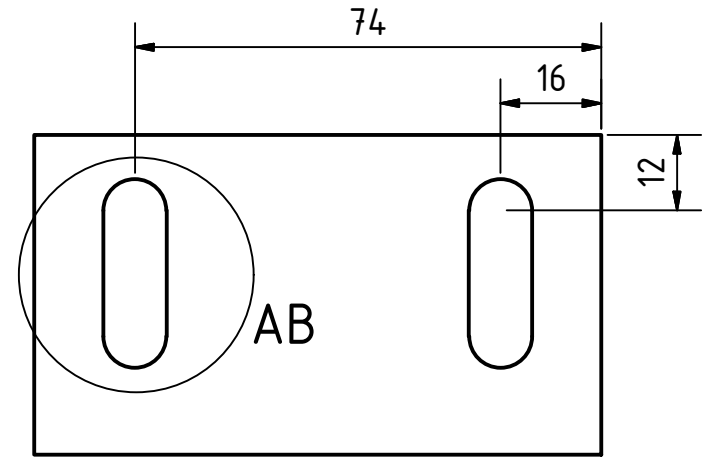
SCALE (1 : 2)



AB (1,67 : 1)



SCALE (1 : 1.2)



Note: All units in mm.

PROJECT Peeling Machine for Sunflower Seeds		CREATED BY L. Ruda	APPROVED BY A. Morillo	DATE 16/09/2021	VERSION 1.0
PART NAME L 2X2		FILE NAME ANSI L 2 x 2 x 1_4 00000001.ipt			POS 2.3.1
DEVELOPED BY		REDESIGNED BY	DOC. TYPE Part	MATERIAL Steel A36	QUANTITY 1
Tropical Products Institute		OHO e.V.	LICENCE CC-BY-SA 4.0	SCALE 1:1.2	SHEET 32 /71