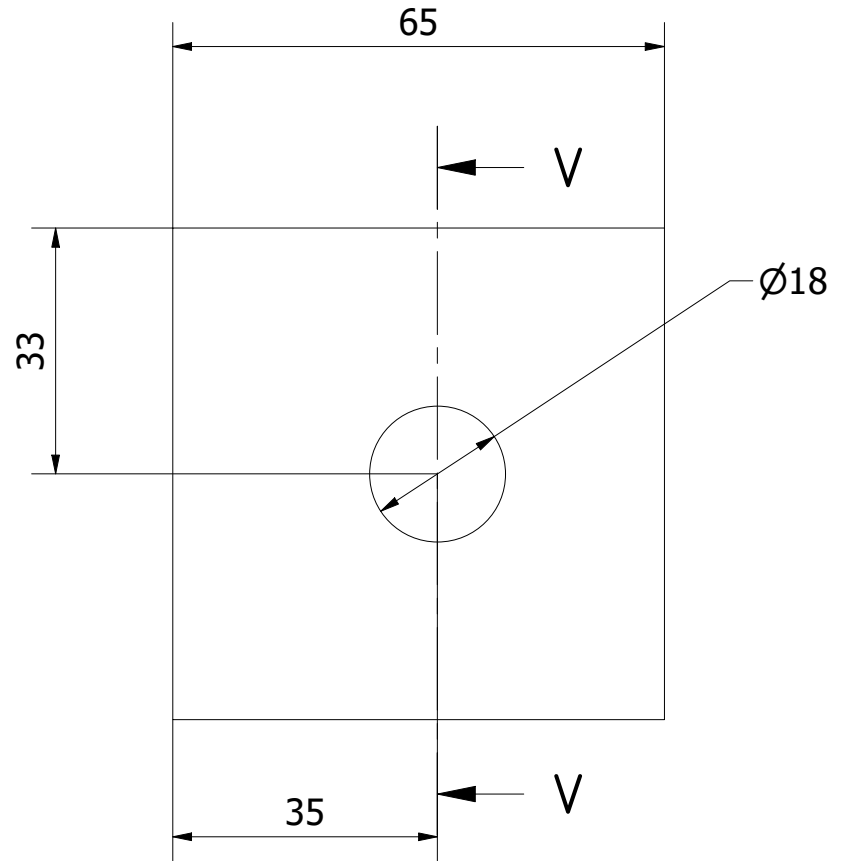



V-V (1 : 1)



Note: All units in mm.

PROJECT Wind turbine with vertical metal drum sails	CREATED BY J. Rosciano	APPROVED BY A. Morillo	DATE 27/10/2021	VERSION 1.1
PART NAME Conn plate	FILE NAME Conn plate.ipt			POS 4.3
PUBLISHED BY  OPEN HARDWARE OBSERVATORY Free Blueprints for Sustainable Development	DOC. TYPE Part	MATERIAL ASTM A36	QUANTITY 2	
OHO e.V.	LICENCE CC-BY-SA 4.0	SCALE 1/1	SHEET 37 /41	