
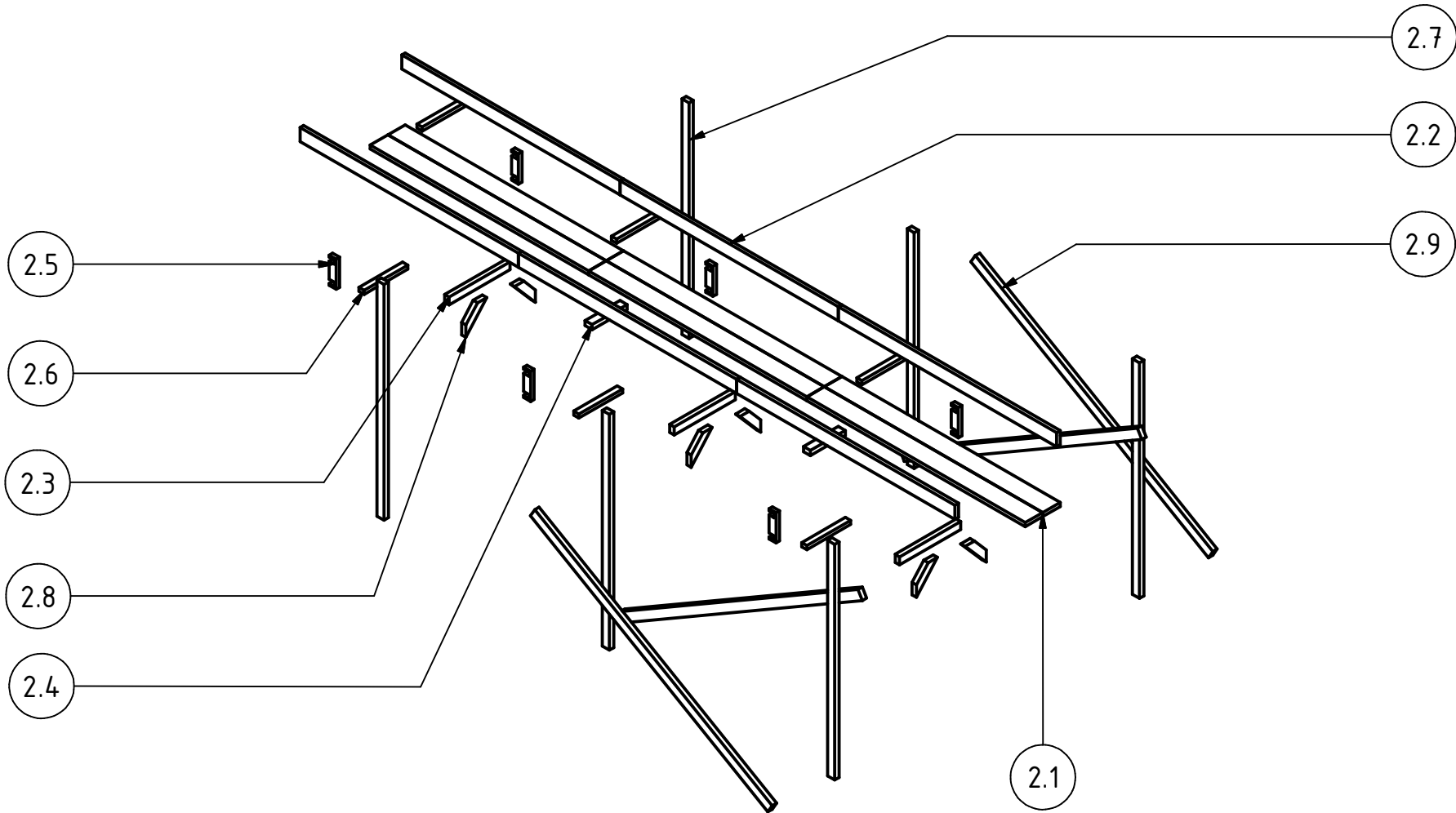



J ( 1 : 25 )

PROJECT	CREATED BY	APPROVED BY	DATE	VERSION
Water wheel diameter 2m	J. ROSCIANO	A. MORILLO	01/12/2021	1.0
PART NAME	FILE NAME			POS
Channel assembly	Channel assembly.iam			2.0
DEVELOPED BY	REDESIGNED BY	DOC. TYPE	MATERIAL	QUANTITY
Henry Walker - Youtube	 OPEN SOURCE ECOLOGY GERMANY	OHO e.V. Assembly		1
		LICENCE	SCALE	SHEET
		CC-BY-SA 4.0		16 /31



PROJECT	CREATED BY	APPROVED BY	DATE	VERSION
Water wheel diameter 2m	J. ROSCIANO	A. MORILLO	01/12/2021	1.0
PART NAME	FILE NAME			POS
Channel assembly	Channel assembly.iam			2.0
DEVELOPED BY	REDESIGNED BY	DOC. TYPE	MATERIAL	QUANTITY
Henry Walker - Youtube	 OPEN SOURCE ECOLOGY GERMANY	OHO e.V. Assembly		1
		LICENCE	SCALE	SHEET
		CC-BY-SA 4.0		17 /31