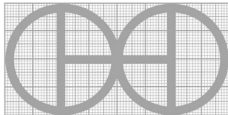
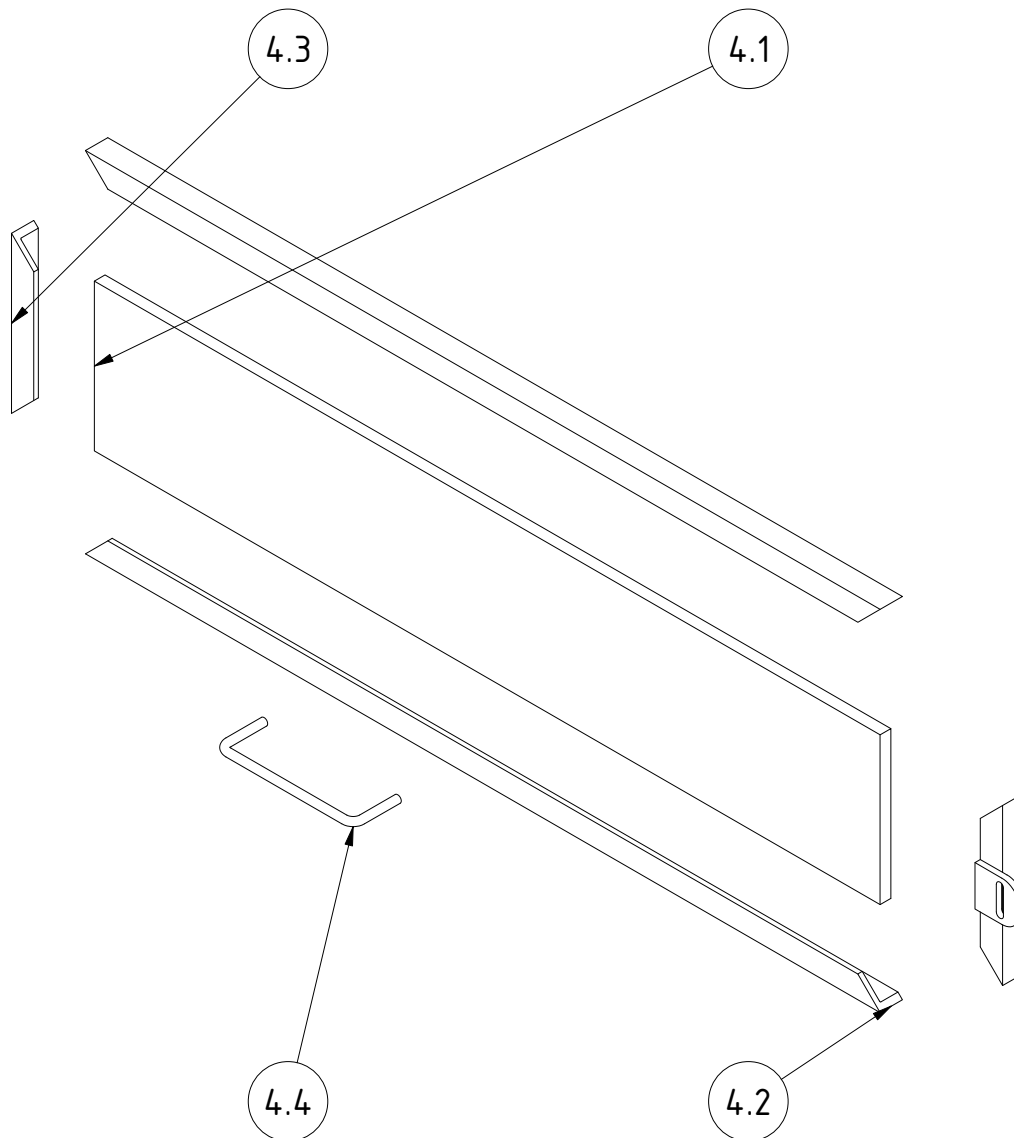
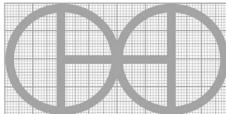


PROJECT	CREATED BY	APPROVED BY	DATE	VERSION
Semi-continuous tray dryer	J. Rosciano	A. Morillo	18/06/2021	1.2
PART NAME	FILE NAME			POS
Door top	4.0_Door_Top.iam			4.0
DEVELOPED BY	REDESIGNED BY	DOC. TYPE	MATERIAL	QUANTITY
		ASSEMBLY		1
Practical Action	OHO e.V.	LICENCE	SCALE	SHEET
		CC-BY-SA 4.0	1/8	57 /97



PROJECT	CREATED BY	APPROVED BY	DATE	VERSION
Semi-continuous tray dryer	J. Rosciano	A. Morillo	18/06/2021	1.2
PART NAME	FILE NAME			POS
Door top	4.0_Door_Top.ipn			4.0
DEVELOPED BY	REDESIGNED BY	DOC. TYPE	MATERIAL	QUANTITY
		ASSEMBLY		1
Practical Action	OHO e.V.	LICENCE	SCALE	SHEET
		CC-BY-SA 4.0	1/8	58 /97