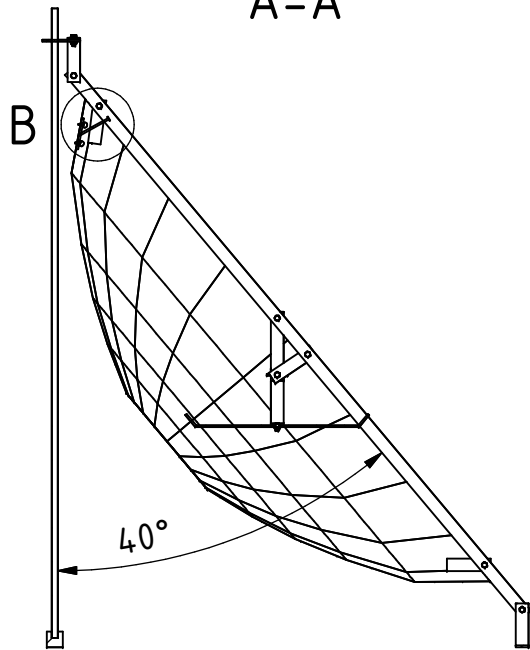
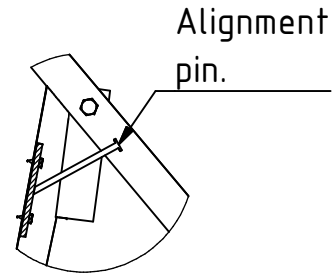


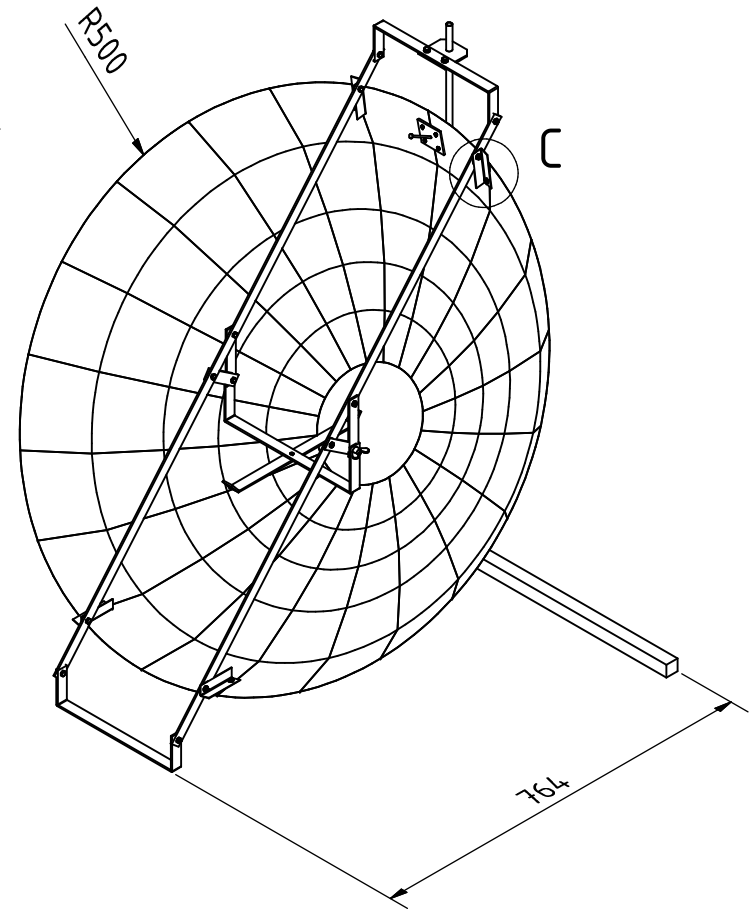
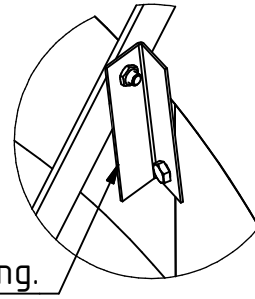
A-A



B ( 1 : 4 )



C ( 1 : 3 )



Note: All units in mm.

PROJECT Parabolic solar cooker with aluminium	CREATED BY J. Zeron	APPROVED BY A. Morillo	DATE 30/09/2021	VERSION 1.0
PART NAME 3d views	FILE NAME Parabolic solar cooker with aluminium.iam			POS A1
DEVELOPED BY Aarhus University, Denmark	REDESIGNED BY OHO e.V.	DOC. TYPE Assembly	MATERIAL	QUANTITY
		LICENCE CC-BY-SA 4.0	SCALE 1:12	SHEET 1 / 19