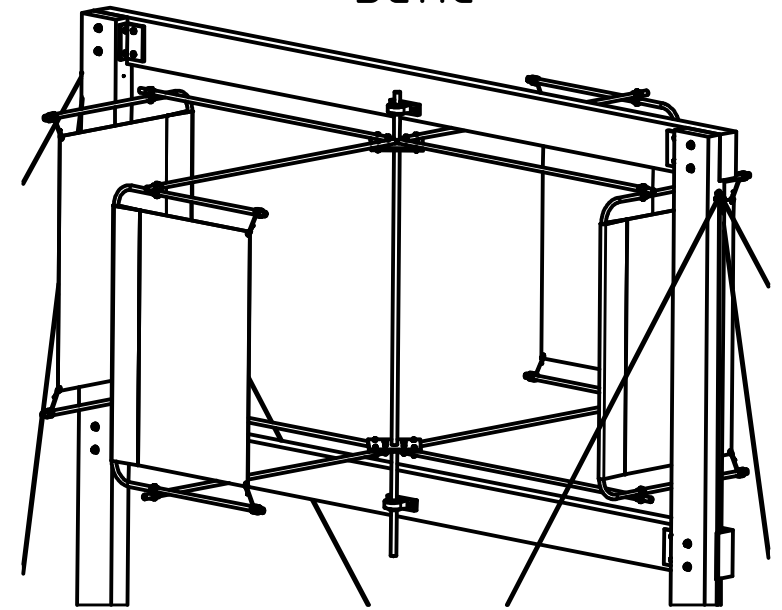

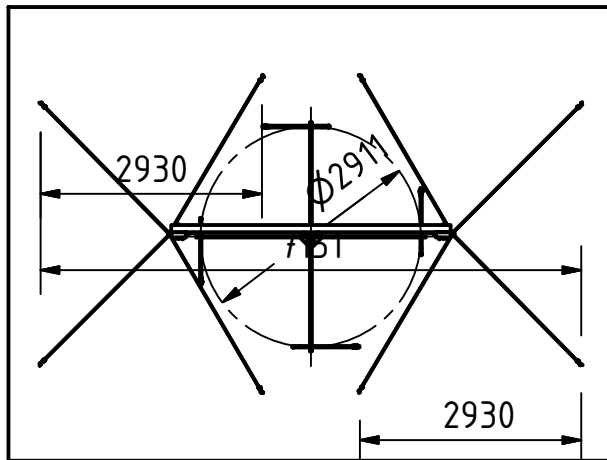
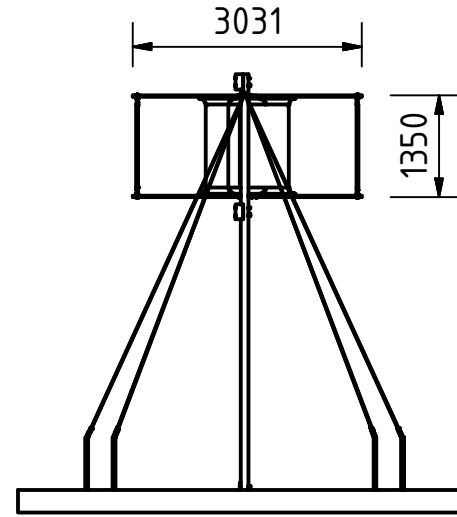
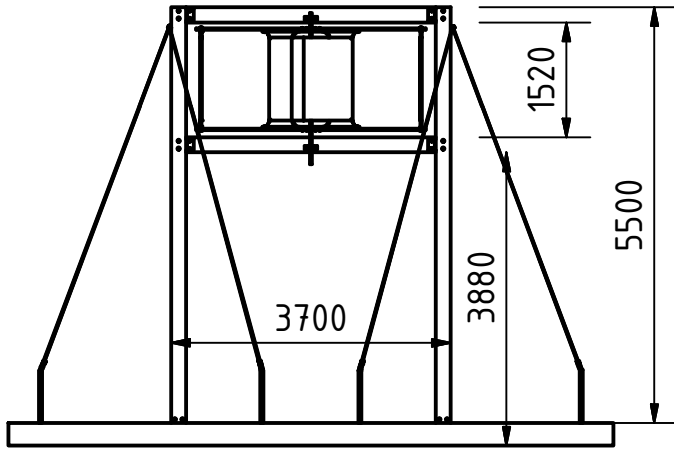


Det.C




Note: All units in mm.

PROJECT	CREATED BY	APPROVED BY	DATE	VERSION
Vertical Axis Sail Windmill	D. Mosquera	A. Morillo	12/07/2021	1.0
PART NAME	FILE NAME			POS
3d views	oho_vsw_vertical-sail-windmill.iam			A1
DEVELOPED BY	REDESIGNED BY	DOC. TYPE	MATERIAL	QUANTITY
	 OPEN SOURCE ECOLOGY GERMANY	Assembly		1
Low Energy Systems		OSEG	LICENCE	SCALE
		CC-BY-SA 4.0	1:40	1 /27



Note: All units in mm.

PROJECT	CREATED BY	APPROVED BY	DATE	VERSION
Vertical Axis Sail Windmill	D. Mosquera	A. Morillo	12/07/2021	1.0
PART NAME	FILE NAME			POS
3d views	oho_vsw_vertical-sail-windmill.iam			A1
DEVELOPED BY	REDESIGNED BY	DOC. TYPE	MATERIAL	QUANTITY
Low Energy Systems	 OPEN SOURCE ECOLOGY GERMANY	Assembly		1
	OSEG	LICENCE	SCALE	SHEET
		CC-BY-SA 4.0	1:100	2 /27