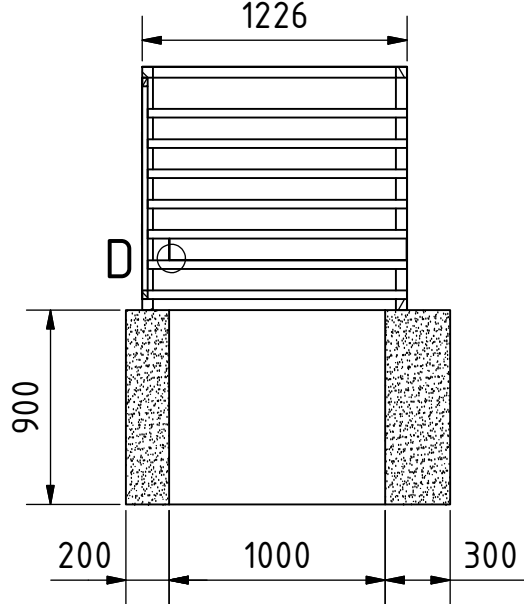
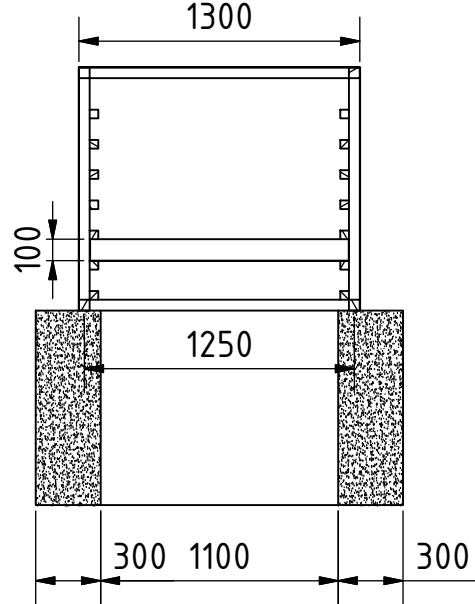


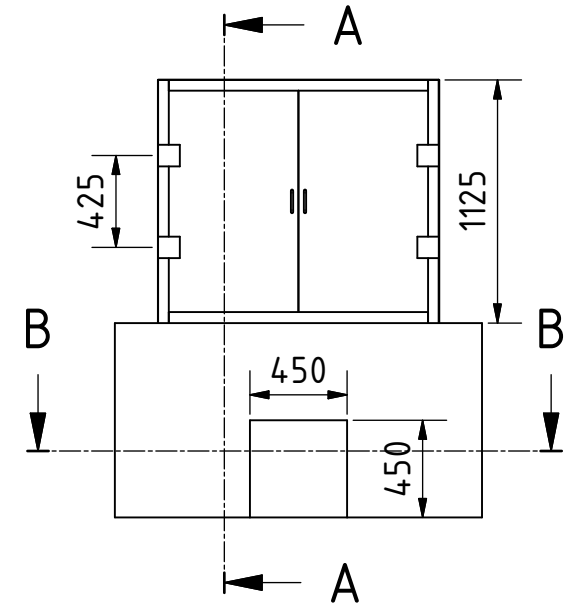
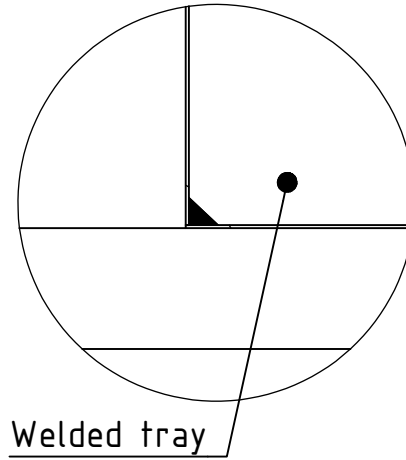
A-A (1 : 35)



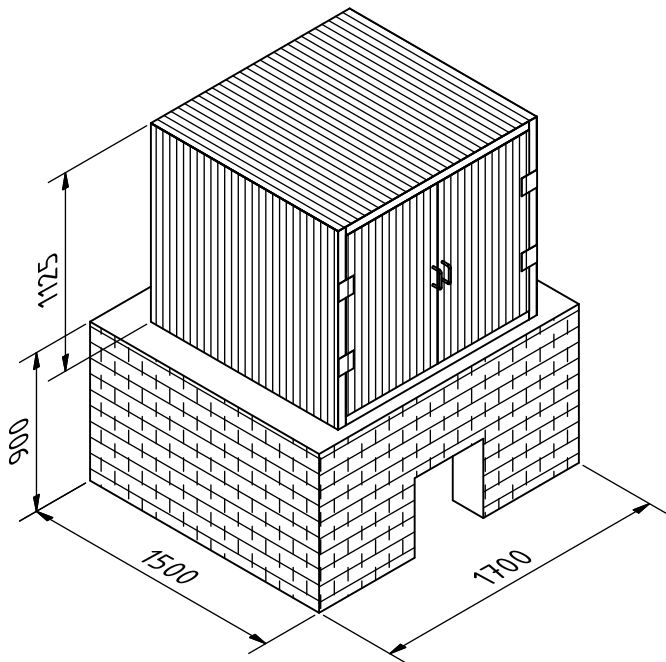
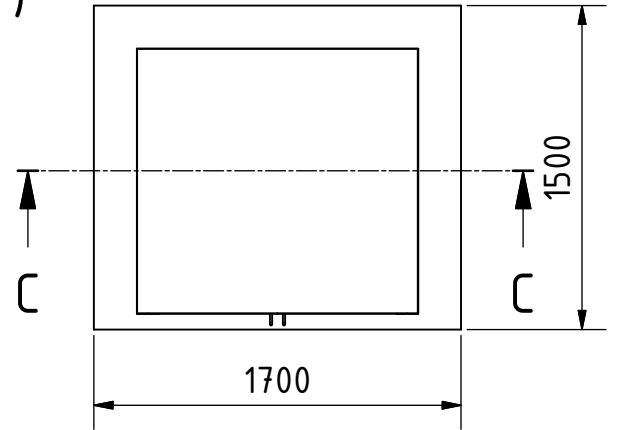
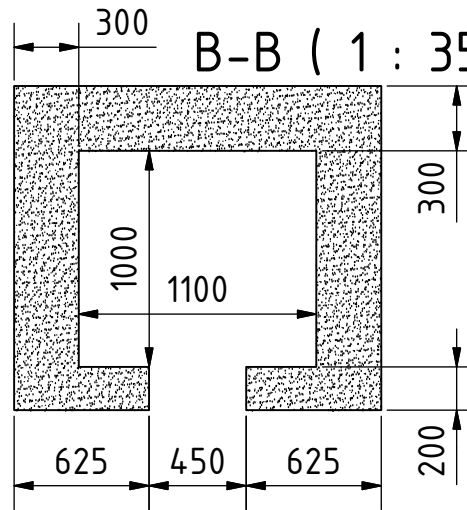
C-C (1 : 35)




D (1 : 2.5)



B-B (1 : 35)



Note: All units in mm.

PROJECT	CREATED BY	APPROVED BY	DATE	VERSION
Fish Dryer Smoker	J. Zeron	A. Morillo	09/08/2021	1.0
PART NAME	FILE NAME			POS
3d views	ilo_fds_fish-dryer_smoker.iam			A1
DEVELOPED BY	REDESIGNED BY	DOC. TYPE	MATERIAL	QUANTITY
		Assembly		
International Labour Office OHO e.V.		LICENCE	SCALE	SHEET
		CC-BY-SA 4.0	1:35	1 / 12