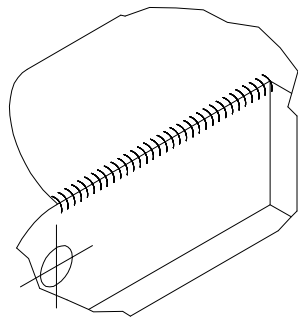
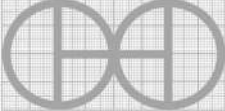


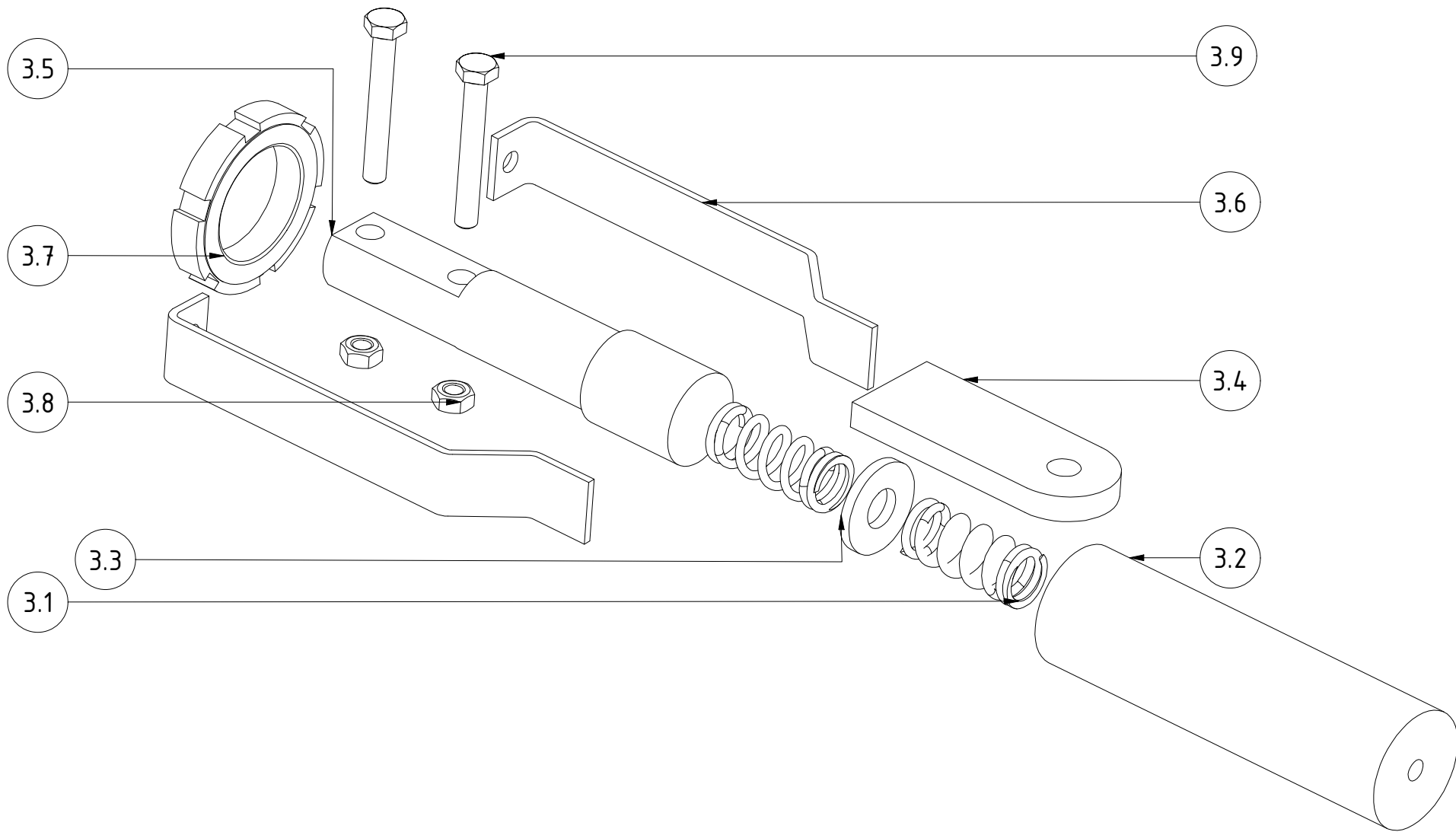
K (0.80 : 1)



L (0.50 : 1)

Note: All units in mm.

PROJECT Convertible Bicycle Trailer for People - with shock absorber		CREATED BY J. Rosciano	APPROVED BY A. Morillo	DATE 26/07/2021	VERSION 1.1
PART NAME Overrun brake assembly		FILE NAME Overrun brake assembly.iam			POS 3.0
DEVELOPED BY	REDESIGNED BY	DOC. TYPE	MATERIAL	QUANTITY	
		Assembly		1	
Practical Action		OHO e.V.	LICENCE CC-BY-SA 4.0	SCALE 1/2.5	SHEET 18 /51



PROJECT Convertible Bicycle Trailer for People - with shock absorber		CREATED BY J. Rosciano	APPROVED BY A. Morillo	DATE 26/07/2021	VERSION 1.1
PART NAME Overrun brake assembly		FILE NAME Overrun brake assembly.ipn			POS 3.0
DEVELOPED BY Practical Action	REDESIGNED BY OHO e.V.	DOC. TYPE Assembly	MATERIAL	QUANTITY 1	
		LICENCE CC-BY-SA 4.0	SCALE 1/2	SHEET 19 /51	