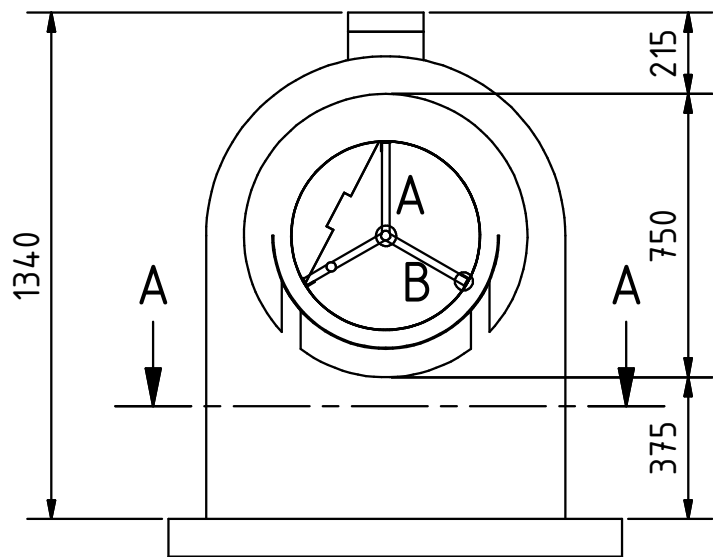
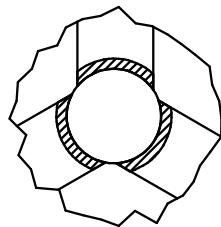


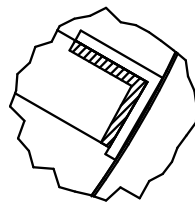
ELEVATION (1 : 20)



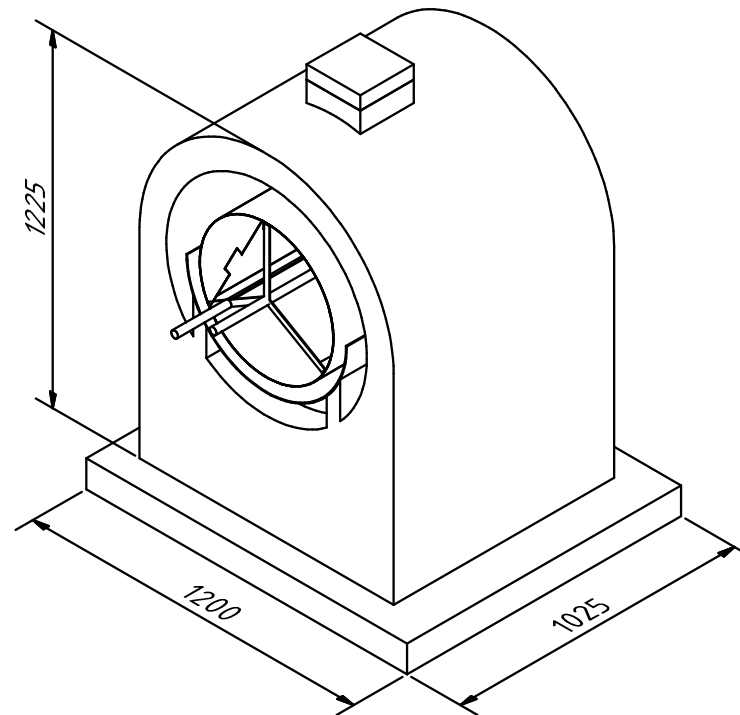
A (1 : 2)



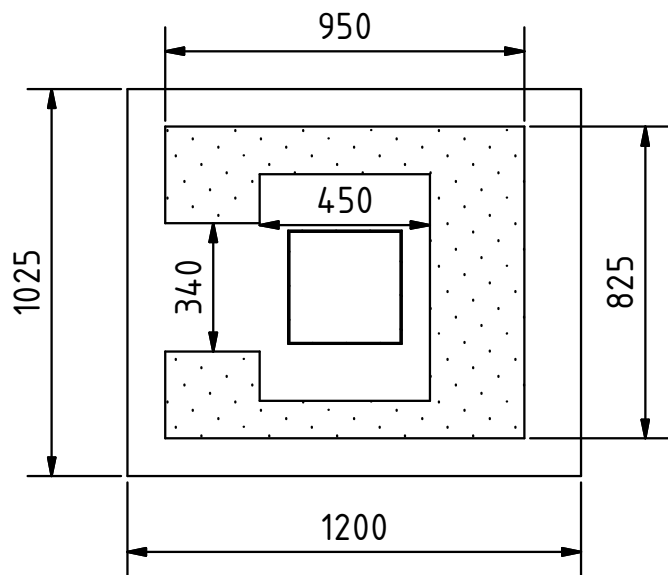
B (1 : 2)



ISOMETRIC (1 : 20)

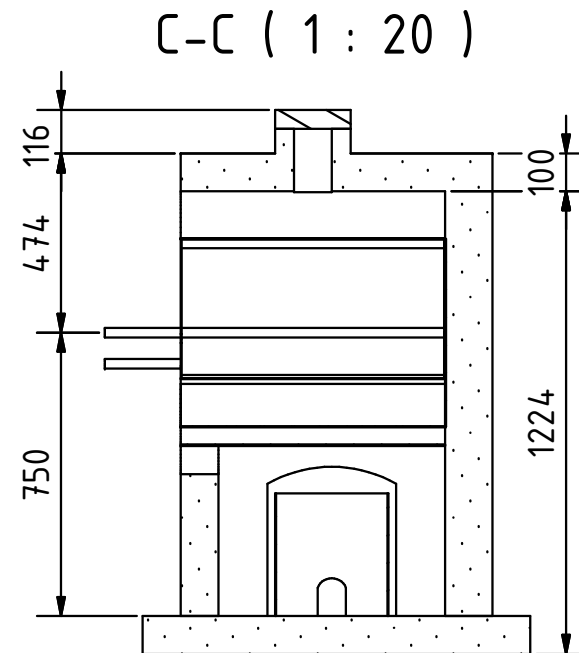
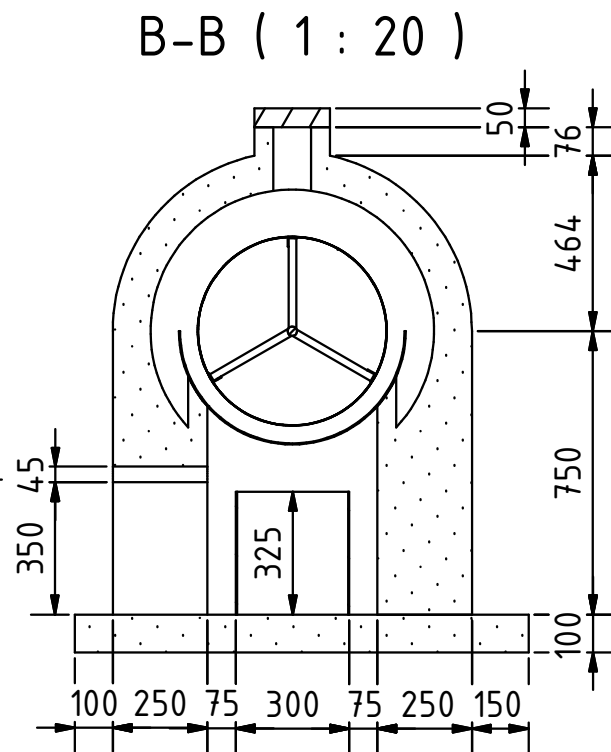
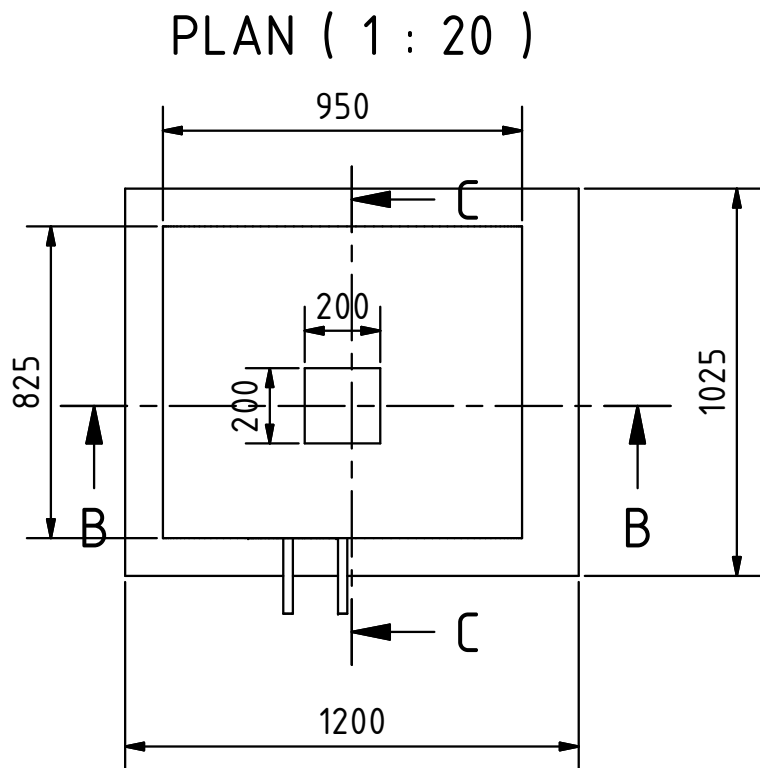


A-A (1 : 20)

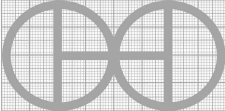


Note: All units in mm.

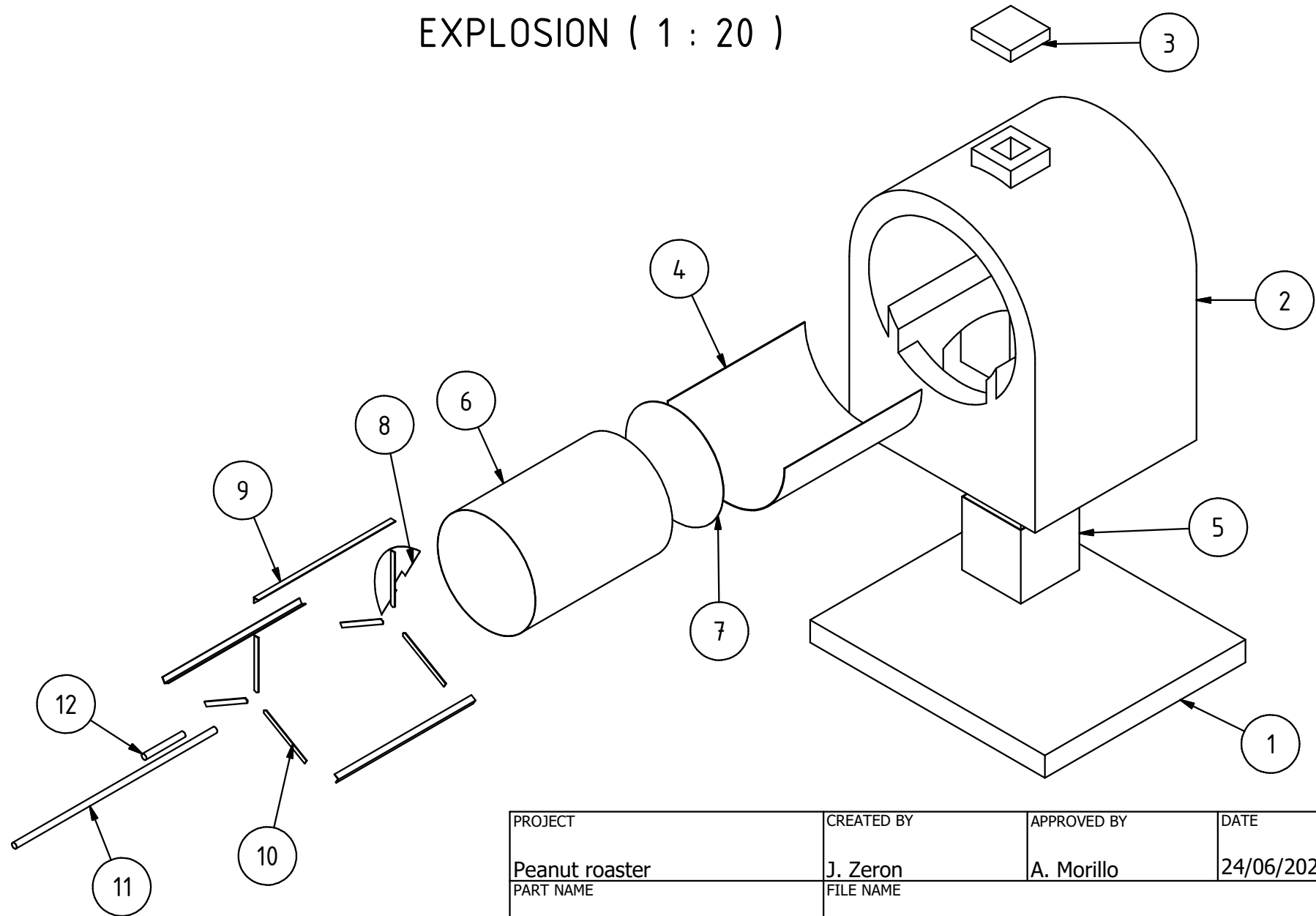
PROJECT	CREATED BY	APPROVED BY	DATE	VERSION
Peanut roaster	J. Zeron	A. Morillo	24/06/2021	1.0
PART NAME	FILE NAME	POS		
3d views	pac_pr_peanut-roaster.iam	A1		
DEVELOPED BY	REDESIGNED BY	DOC. TYPE	MATERIAL	QUANTITY
Practical Action	OHO e.V.	Assembly		1
		LICENCE	SCALE	SHEET
		CC-BY-SA 4.0	1:20	1 / 15

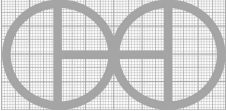


Note: All units in mm.

PROJECT	CREATED BY	APPROVED BY	DATE	VERSION
Peanut roaster	J. Zeron	A. Morillo	24/06/2021	1.0
PART NAME	FILE NAME	POS		
3d views	pac_pr_peanut-roaster.iam	A1		
DEVELOPED BY	REDESIGNED BY	DOC. TYPE	MATERIAL	QUANTITY
		Assembly		1
Practical Action	OHO e.V.	LICENCE	SCALE	SHEET
		CC-BY-SA 4.0	1:20	2 / 15

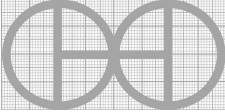
EXPLOSION (1 : 20)



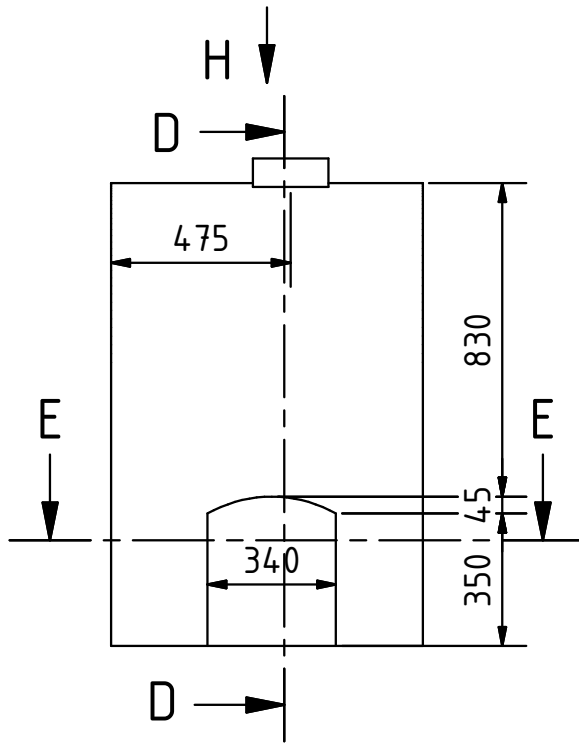
PROJECT	CREATED BY	APPROVED BY	DATE	VERSION
Peanut roaster	J. Zeron	A. Morillo	24/06/2021	1.0
PART NAME	FILE NAME			POS
Exploded 3d view	pac_pr_peanut-roaster.ipn			A2
DEVELOPED BY	REDESIGNED BY	DOC. TYPE	MATERIAL	QUANTITY
		Assembly		1
Practical Action	OHO e.V.	LICENCE	SCALE	SHEET
		CC-BY-SA 4.0	1:20	3 /15

Parts list

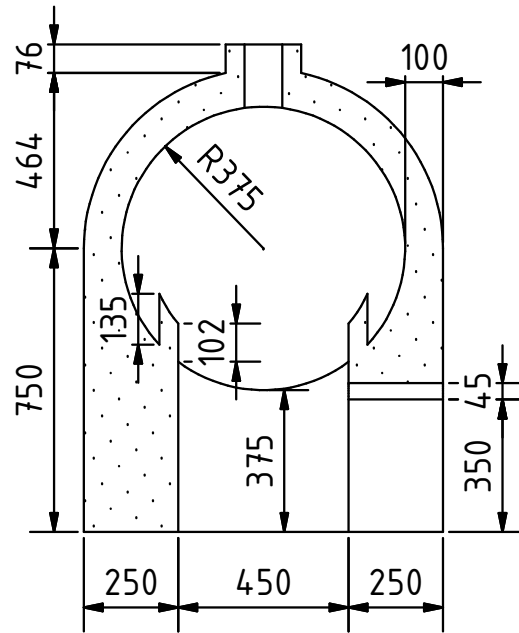
POS	QTY	PART NAME	FILE NAME	PART TYPE	SPECIFICATIONS	SHEET
A1	1	3d views	pac_pr_peanut-roaster.iam	Assembly	-	1
A1	1	3d views	pac_pr_peanut-roaster.iam	Assembly	-	2
A2	1	Exploded 3d view	pac_pr_peanut-roaster.ipn	Assembly	-	3
B1	1	Parts list	pac_pr_peanut-roaster.csv	-	-	4
1	1	Floor	Floor.ipt	Production	Shaped soil	-
2	1	Brick klin	Brick klin.ipt	Production	Bricks and clay	5
3	1	Chimney cap	Chimney cap.ipt	Production	Klien dried pine	6
4	1	Outer drum	Outer drum.ipt	Production	Empty drum	7
5	1	Fire box	Fire box.ipt	Production	22/24 Gauge GI sheet steel	8
6	1	Drum A	Drum A.ipt	Production	22/24 Gauge GI sheet steel	9
7	1	Drum B	Drum B.ipt	Production	22/24 Gauge GI sheet steel	10
8	1	Drum C	Drum C.ipt	Production	22/24 Gauge GI sheet steel	11
9	3	Angle	Angle.ipt	Production	Steel A36 25x25 mm	12
10	6	Flat	Flat.ipt	Production	Steel A36 20x3 mm	13
11	1	Rod A	Rod A.ipt	Production	25mm mid steel A36 rod	14
12	1	Rod B	Rod B.ipt	Production	25mm mid steel A36 rod	15

PROJECT		CREATED BY		APPROVED BY		DATE		VERSION	
Peanut roaster		J. Zeron		A. Morillo		24/06/2021		1.0	
PART NAME		FILE NAME						POS	
Parts list		pac_pr_peanut-roaster.csv						B1	
DEVELOPED BY		REDESIGNED BY		DOC. TYPE		MATERIAL		QUANTITY	
				Parts list					
Practical Action		OHO e.V.		LICENCE		SCALE		SHEET	
				CC-BY-SA 4.0				4 /15	

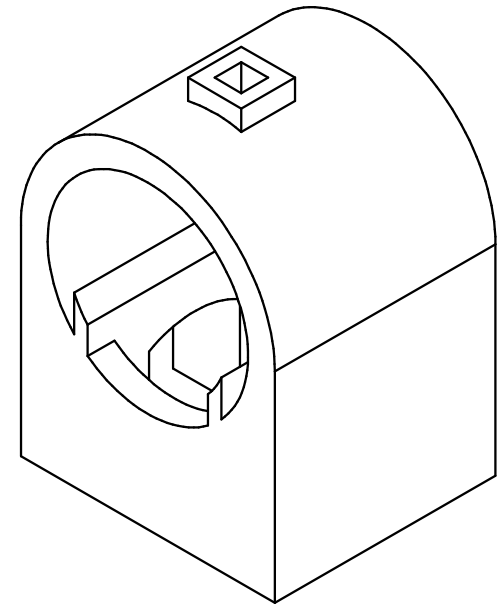
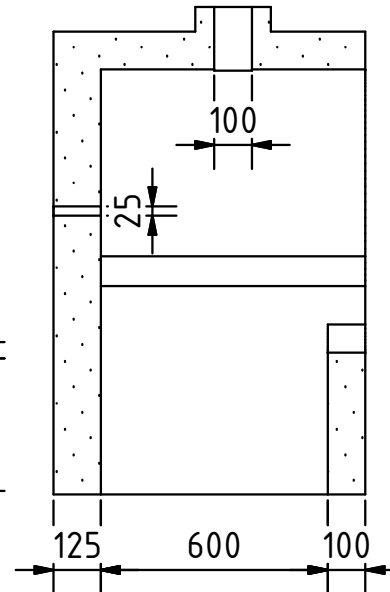
ELEVATION (1 : 20)



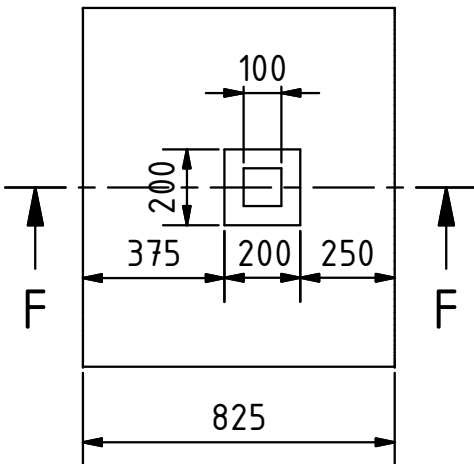
D-D (1 : 20)



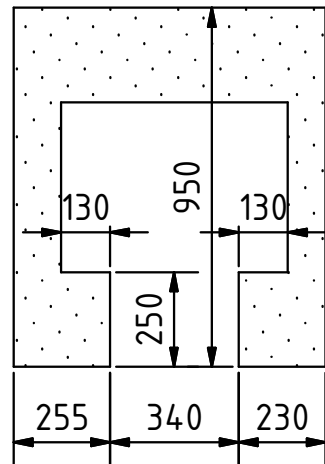
F-F (1 : 20)



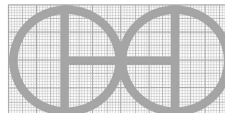
H (1 : 20)



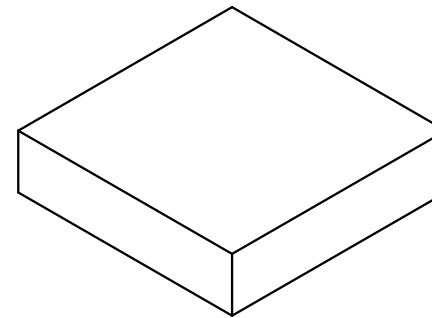
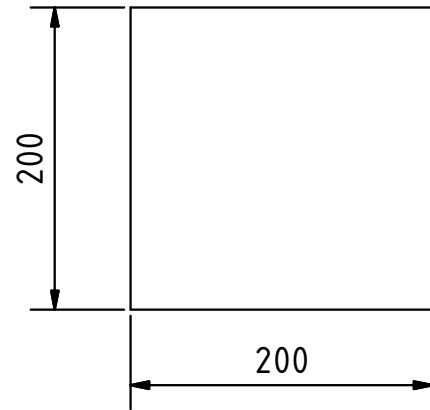
E-E (1 : 20)



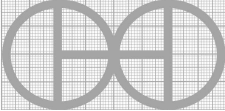
Note: All units in mm.

PROJECT	CREATED BY	APPROVED BY	DATE	VERSION
Peanut roaster	J. Zeron	A. Morillo	24/06/2021	1.0
PART NAME	FILE NAME	POS		
Brick klin	Brick klin.ipt	2		
DEVELOPED BY	REDESIGNED BY	DOC. TYPE	MATERIAL	QUANTITY
		Part	Bricks and clay	1
Practical Action	OHO e.V.	LICENCE	SCALE	SHEET
		CC-BY-SA 4.0	1:20	5 / 15

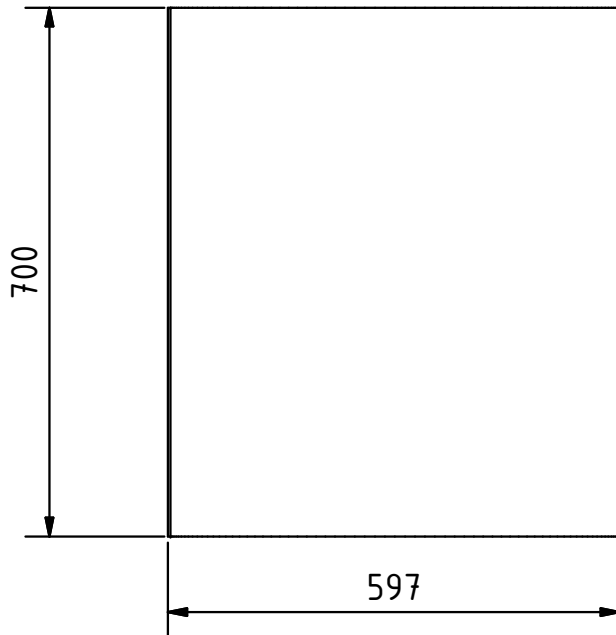
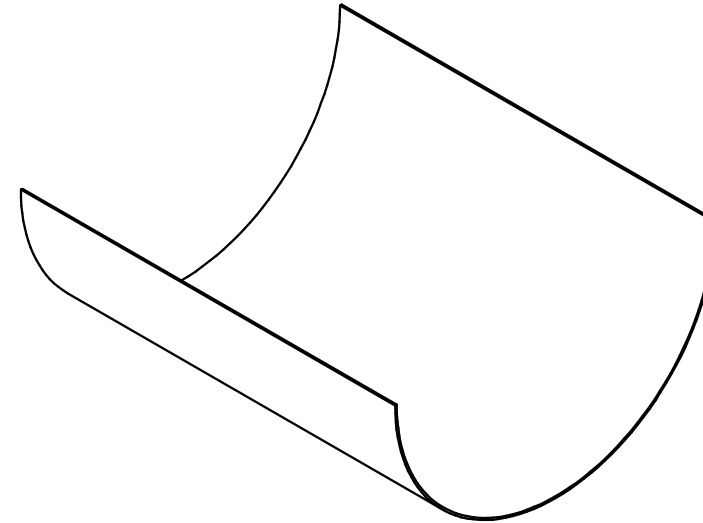
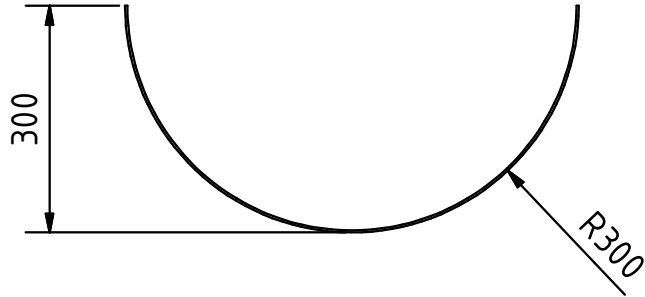
PLAN (1 : 5)



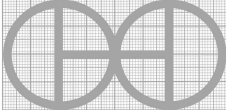
Note: All units in mm.

PROJECT	CREATED BY	APPROVED BY	DATE	VERSION
Peanut roaster	J. Zeron	A. Morillo	24/06/2021	1.0
PART NAME	FILE NAME			POS
Chimney cap	Chimney cap.ipt			3
DEVELOPED BY	REDESIGNED BY	DOC. TYPE	MATERIAL	QUANTITY
		Part	Hardwood	1
Practical Action	OHO e.V.	LICENCE	SCALE	SHEET
		CC-BY-SA 4.0	1:5	6 /15

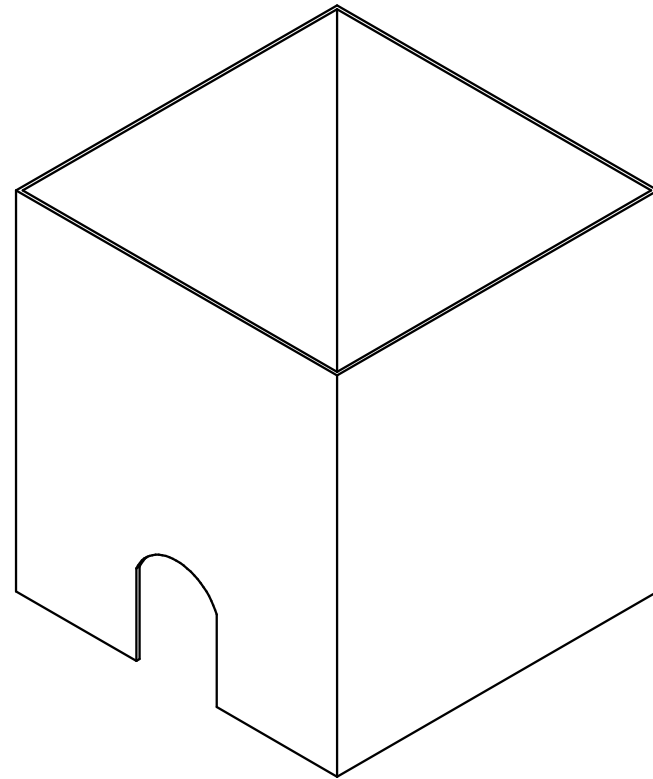
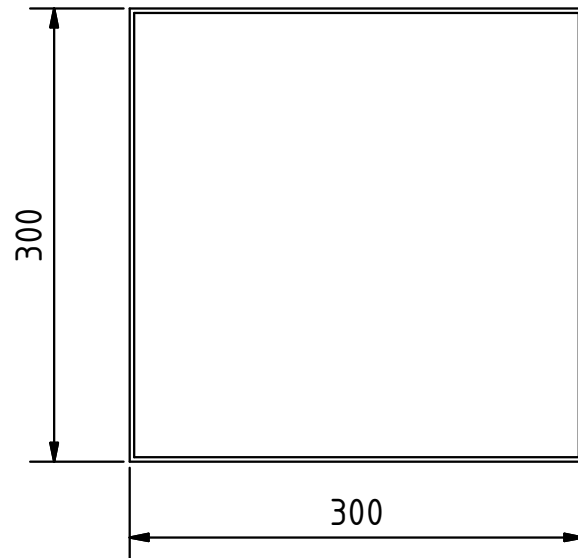
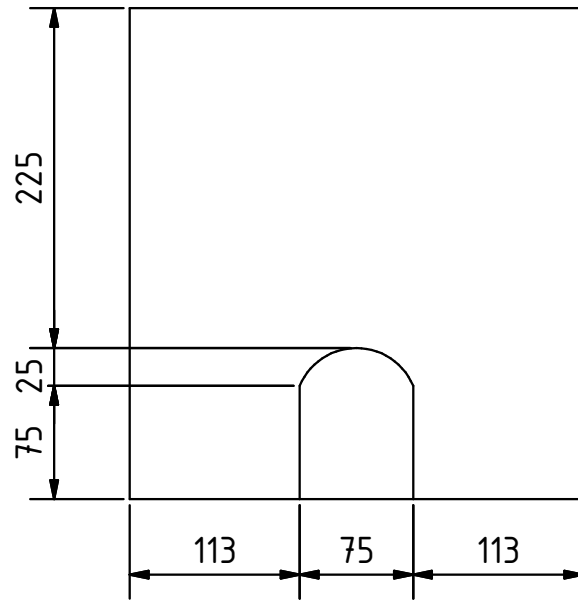
ELEVATION (1 : 10)



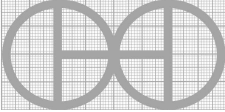
Note: All units in mm.

PROJECT	CREATED BY	APPROVED BY	DATE	VERSION
Peanut roaster	J. Zeron	A. Morillo	24/06/2021	1.0
PART NAME	FILE NAME			POS
Outer drum	Outer drum.ipt			4
DEVELOPED BY	REDESIGNED BY	DOC. TYPE	MATERIAL	QUANTITY
		Part	Metal drum scrap	1
Practical Action	OHO e.V.	LICENCE	SCALE	SHEET
		CC-BY-SA 4.0	1:10	7 /15

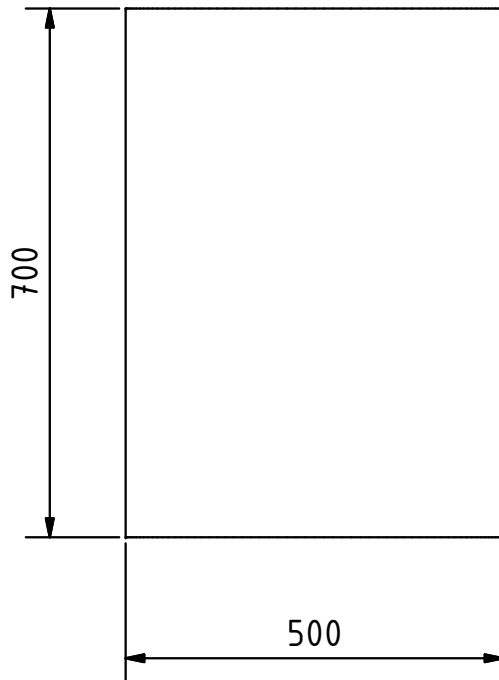
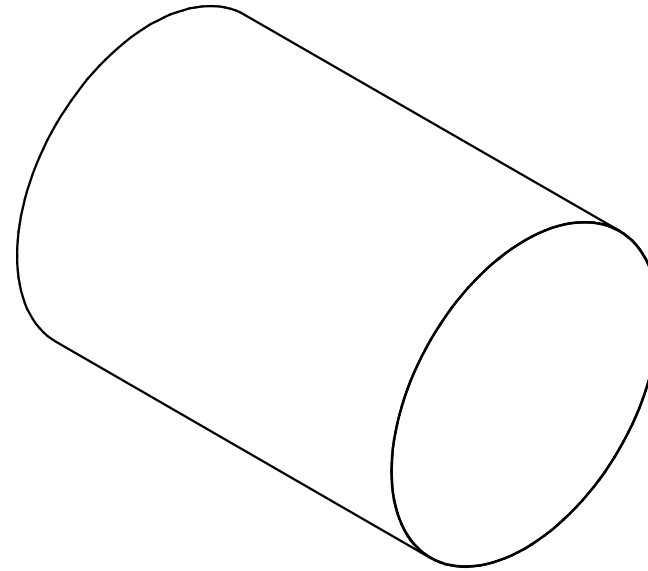
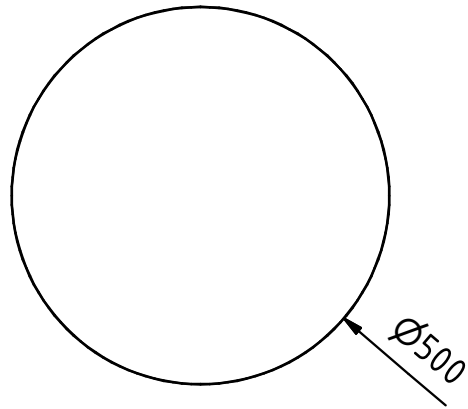
ELEVATION (1 : 5)



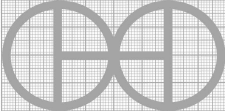
Note: All units in mm.

PROJECT	CREATED BY	APPROVED BY	DATE	VERSION
Peanut roaster	J. Zeron	A. Morillo	24/06/2021	1.0
PART NAME	FILE NAME			POS
Fire box	Fire box.ipt			5
DEVELOPED BY	REDESIGNED BY	DOC. TYPE	MATERIAL	QUANTITY
		Part	22/24 Gauge GI sheet steel	1
Practical Action	OHO e.V.	LICENCE	SCALE	SHEET
		CC-BY-SA 4.0	1:5	8 /15

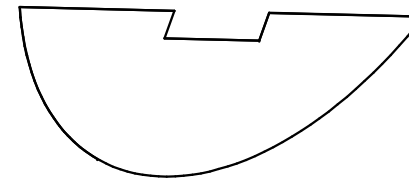
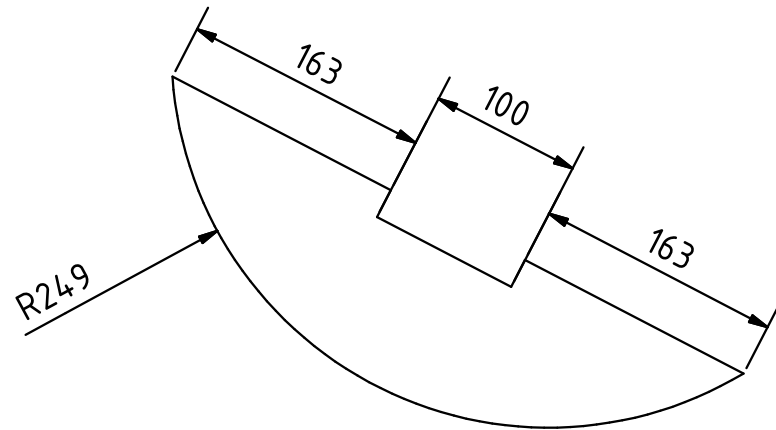
ELEVATION (1 : 10)



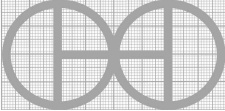
Note: All units in mm.

PROJECT	CREATED BY	APPROVED BY	DATE	VERSION
Peanut roaster	J. Zeron	A. Morillo	24/06/2021	1.0
PART NAME	FILE NAME			POS
Drum A	Drum A.ipt			6
DEVELOPED BY	REDESIGNED BY	DOC. TYPE	MATERIAL	QUANTITY
		Part	22/24 Gauge GI sheet steel	1
		LICENCE	SCALE	SHEET
Practical Action	OHO e.V.	CC-BY-SA 4.0	1:10	9 /15

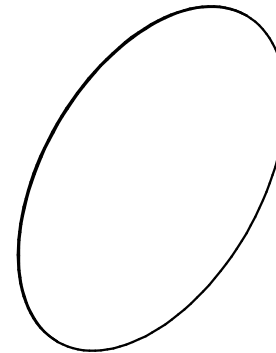
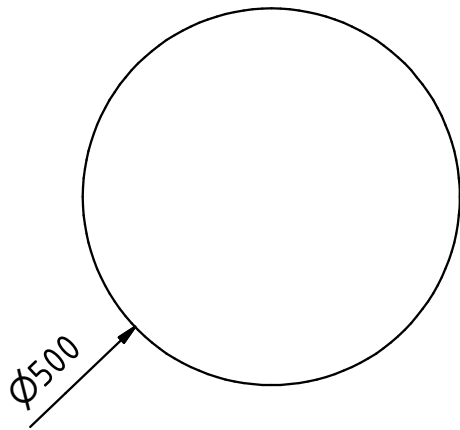
ELEVATION (1 : 5)



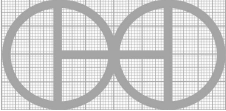
Note: All units in mm.

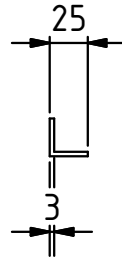
PROJECT	CREATED BY	APPROVED BY	DATE	VERSION
Peanut roaster	J. Zeron	A. Morillo	24/06/2021	1.0
PART NAME	FILE NAME			POS
Drum B	Drum B.ipt			7
DEVELOPED BY	REDESIGNED BY	DOC. TYPE	MATERIAL	QUANTITY
		Part	22/24 Gauge GI sheet steel	1
Practical Action	OHO e.V.	LICENCE	SCALE	SHEET
		CC-BY-SA 4.0	1:5	10 /15

ELEVATION (1 : 10)

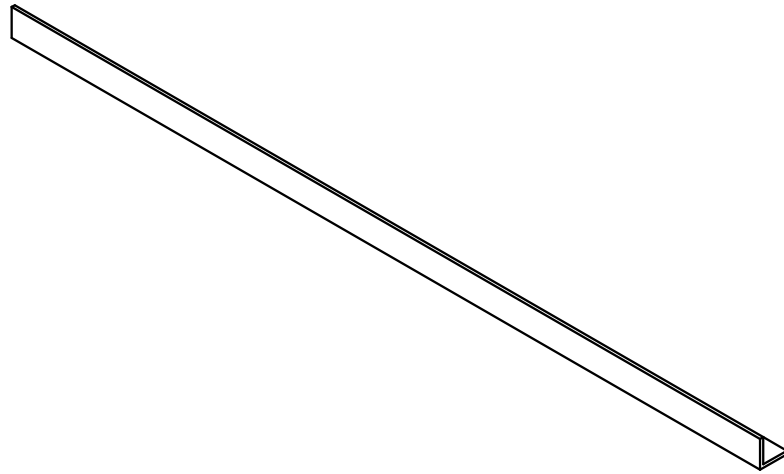
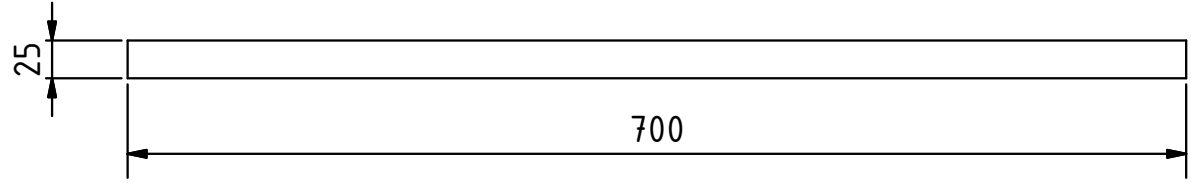


Note: All units in mm.

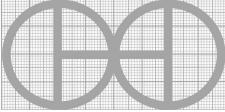
PROJECT	CREATED BY	APPROVED BY	DATE	VERSION
Peanut roaster	J. Zeron	A. Morillo	24/06/2021	1.0
PART NAME	FILE NAME			POS
Drum C	Drum C.ipt			8
DEVELOPED BY	REDESIGNED BY	DOC. TYPE	MATERIAL	QUANTITY
		Part	22/24 Gauge GI sheet steel	1
Practical Action	OHO e.V.	LICENCE	SCALE	SHEET
		CC-BY-SA 4.0	1:10	11 /15



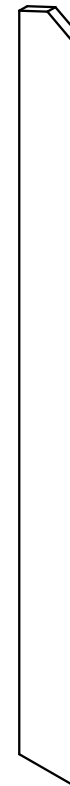
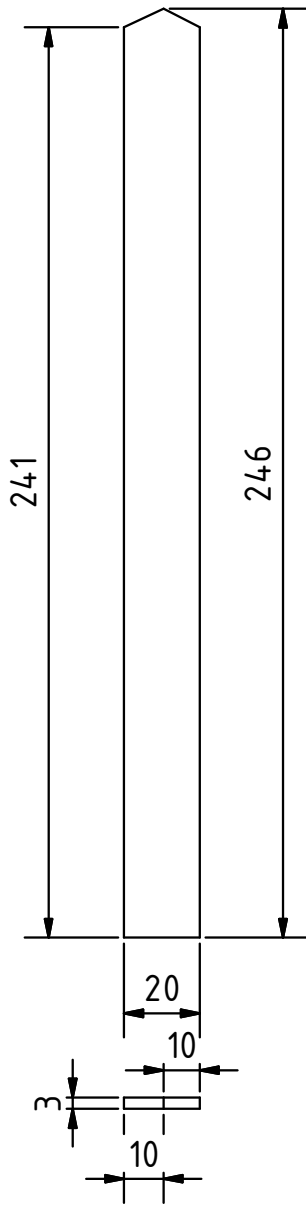
ELEVATION (1 : 5)



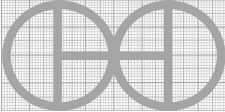
Note: All units in mm.

PROJECT	CREATED BY	APPROVED BY	DATE	VERSION
Peanut roaster	J. Zeron	A. Morillo	24/06/2021	1.0
PART NAME	FILE NAME			POS
Angle	Angle.ipt			9
DEVELOPED BY	REDESIGNED BY	DOC. TYPE	MATERIAL	QUANTITY
		Part	Steel A36	3
Practical Action	OHO e.V.	LICENCE	SCALE	SHEET
		CC-BY-SA 4.0	1:5	12 /15

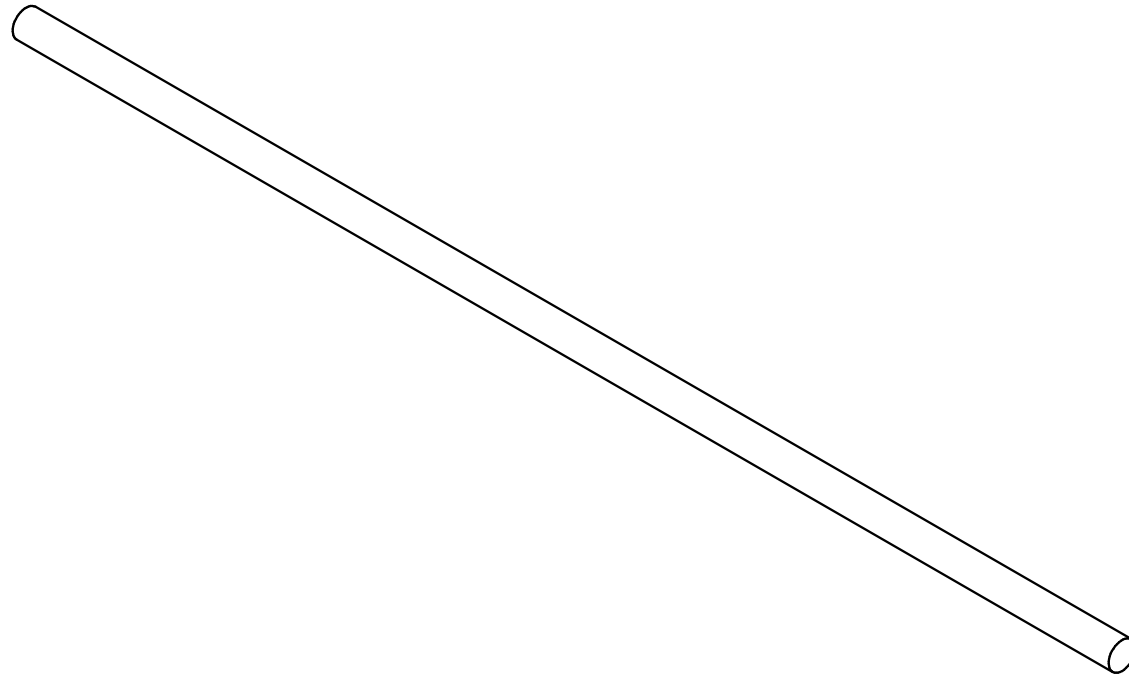
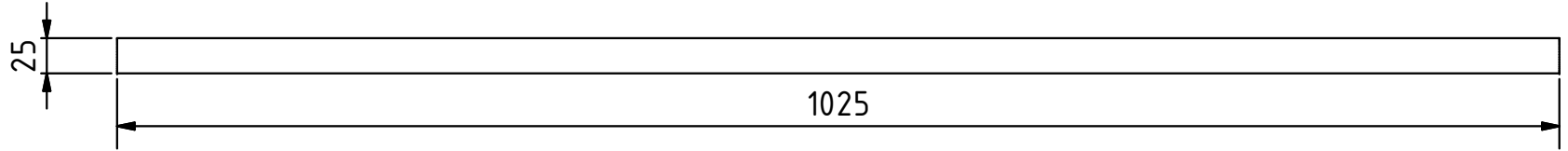
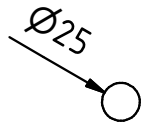
ELEVATION (1 : 2)



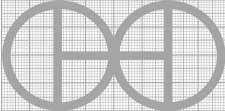
Note: All units in mm.

PROJECT	CREATED BY	APPROVED BY	DATE	VERSION
Peanut roaster	J. Zeron	A. Morillo	24/06/2021	1.0
PART NAME	FILE NAME			POS
Flat	Flat.ipt			10
DEVELOPED BY	REDESIGNED BY	DOC. TYPE	MATERIAL	QUANTITY
		Part	Steel A36	6
Practical Action	OHO e.V.	LICENCE	SCALE	SHEET
		CC-BY-SA 4.0	1:2	13 /15

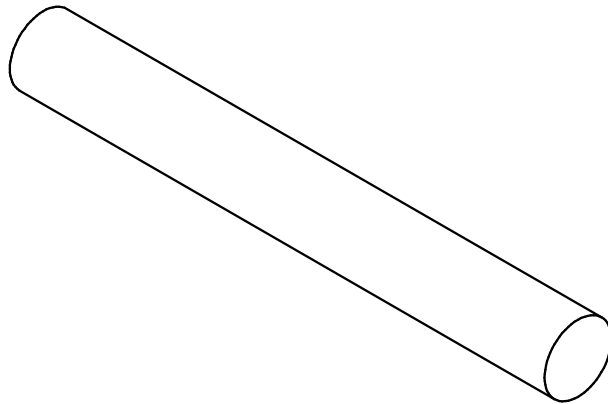
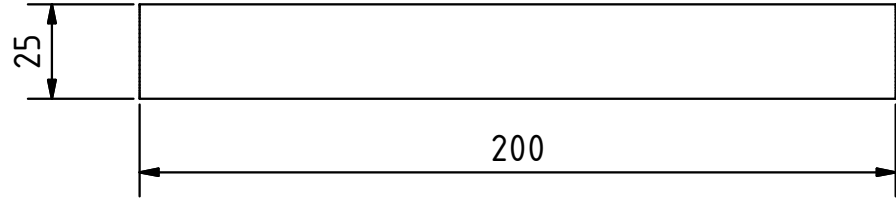
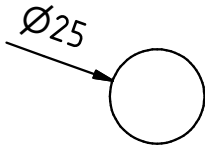
ELEVATION (1 : 5)



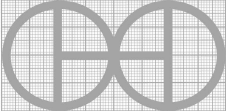
Note: All units in mm.

PROJECT	CREATED BY	APPROVED BY	DATE	VERSION
Peanut roaster	J. Zeron	A. Morillo	24/06/2021	1.0
PART NAME	FILE NAME			POS
Rod A	Rod A.ipt			11
DEVELOPED BY	REDESIGNED BY	DOC. TYPE	MATERIAL	QUANTITY
		Part	Mid steel A36 rod	1
Practical Action	OHO e.V.	LICENCE	SCALE	SHEET
		CC-BY-SA 4.0	1:5	14 /15

ELEVATION (1 : 2)



Note: All units in mm.

PROJECT	CREATED BY	APPROVED BY	DATE	VERSION
Peanut roaster	J. Zeron	A. Morillo	24/06/2021	1.0
PART NAME	FILE NAME			POS
Rod B	Rod B.ipt			12
DEVELOPED BY	REDESIGNED BY	DOC. TYPE	MATERIAL	QUANTITY
		Part	Mid steel A36 rod	1
		LICENCE	SCALE	SHEET
Practical Action	OHO e.V.	CC-BY-SA 4.0	1:2	15 /15