
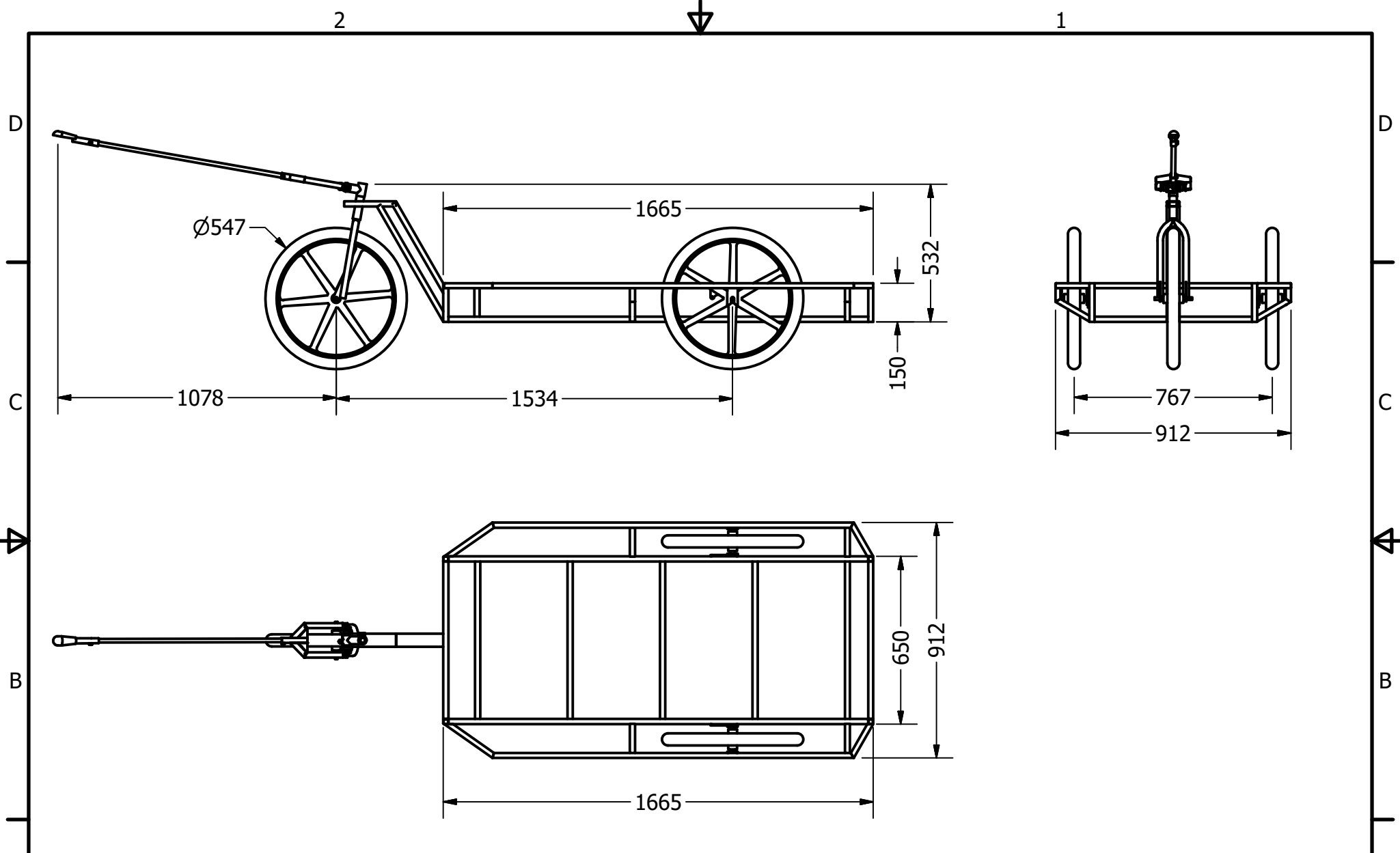

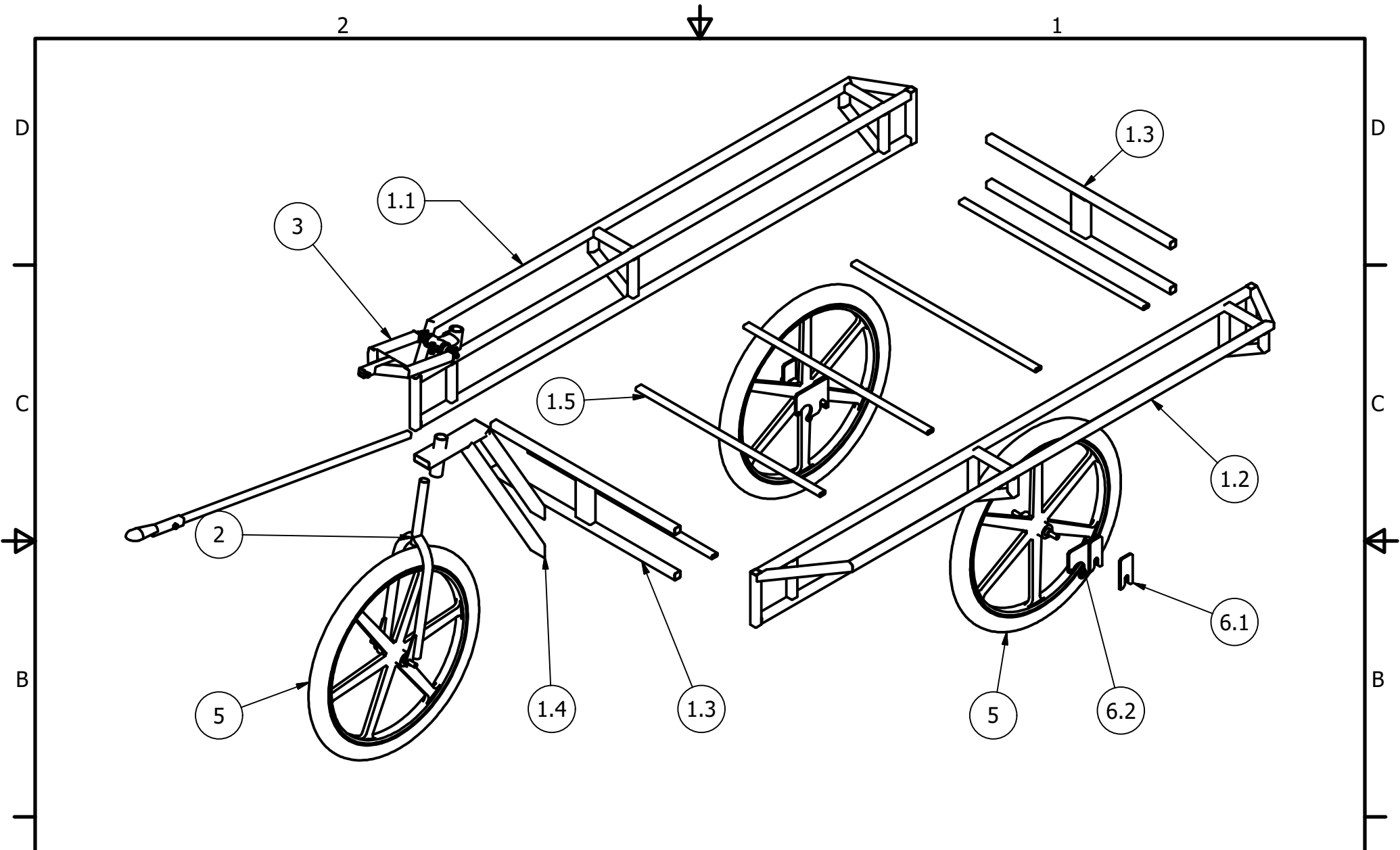



Proyect NOMBRE DE PROYECTO		Created by D. Mosquera		Approved by D. Jeager	
Part Name DESCRIPCION - PLANO CONJUNTO		Part Code A1		Document Type ASSEMBLY	
Redesigned by  OPEN SOURCE ECOLOGY GERMANY		Original drawing from Practical ACTION		License CERN-OHL	
				File Name oseg_cbt_A1_crowd-bicycle-trailer	
				Version 1.0	
				Quantity	
				Scale 1:12	
				Sheet 1	
				Date 04.12.20	






Project Crowd bicycle trailer		Created by D. Mosquera		Approved by D. Jeager	
Part Name Crowd-bicycle-trailer		Part Code A1	Document Type ASSEMBLY		Material
Redesigned by  OPEN SOURCE ECOLOGY GERMANY	Original drawing from Practical ACTION	License CERN-OHL	File Name oseq_cbt_A1_crowd-bicycle-trailer		Version 1.0
			Scale 1:12	Sheet 1	Date 04.12.20



Proyect Crowd bicycle trailer		Created by D. Mosquera		Approved by D. Jeager	
Part Name Crowd-bicycle-trailer		Part Code A2		Document Type ASSEMBLY	
Redesigned by  OPEN SOURCE ECOLOGY GERMANY		Original drawing from Practical ACTION		License CERN-OHL	
		File Name oseg_cbt_A2_crowd-bicycle-trailer.ipn		Version 1.0	
		Scale 1:12		Quantity 3	
				Date 04.12.20	

2

1

Pos.	Pos. old	Qty.	Part name	File name (new)	Part type	Specifications	Sheet																																
A1			crowd bicycle trailer	oseg_cbt_A1_crowd-bicycle-trailer.iam	production		1																																
A2			Cap machine presentation	oseg_cbt_A2_crowd-bicycle-trailer.ipn	production		3																																
B			Cap machine parts-list	oseg_cbt_B_parts-list.xls			4-5																																
1			frame	oseg_cbt_frame.iam	production		6																																
1.1			left side frame	oseg_cbt_left side frame.iam	production		8																																
1.1.1	1	2	Steel pipe 20x20x1620	oseg_cbt_steel pipe 20x20x1620.ipt	production		12																																
1.1.2	2	2	Steel pipe 20x20x150	oseg_cbt_steel pipe 20x20x150.ipt	production		13																																
1.1.3	3	5	Steel pipe 20x20x110	oseg_cbt_steel pipe 20x20x110.ipt	production		14																																
1.1.4	5	1	Steel pipe 20x20x1400	oseg_cbt_steel pipe 20x20x1400.ipt	production		15																																
1.1.5	6	2	Steel pipe 20x20x230	oseg_cbt_steel pipe 20x20x230.ipt	production		16																																
1.1.6	9	2	Steel pipe 20x20x53	oseg_cbt_steel pipe 20x20x53.ipt	production		17																																
1.1.7	4	2	Steel pipe 20x20x152	oseg_cbt_steel pipe 20x20x152.ipt	production		18																																
1.1.8		2	brake bracket	oseg_cbt_brake bracket.ipt	production		19																																
1.1.9		2	Brake axis	oseg_cbt_Brake-axis.ipt	production		20																																
1.2			right side frame	oseg_cbt_right side frame.iam	production		9																																
1.2.1	1	2	Steel pipe 20x20x1620	oseg_cbt_steel pipe 20x20x1620.ipt	production		12																																
1.2.2	2	2	Steel pipe 20x20x150	oseg_cbt_steel pipe 20x20x150.ipt	production		13																																
1.2.3	3	3	Steel pipe 20x20x110	oseg_cbt_steel pipe 20x20x110.ipt	production		14																																
1.2.4	5	1	Steel pipe 20x20x1400	oseg_cbt_steel pipe 20x20x1400.ipt	production		15																																
1.2.5	6	2	Steel pipe 20x20x230	oseg_cbt_steel pipe 20x20x230.ipt	production		16																																
1.2.6	9	2	Steel pipe 20x20x53	oseg_cbt_steel pipe 20x20x53.ipt	production		17																																
1.2.7	4	2	Steel pipe 20x20x152	oseg_cbt_steel pipe 20x20x152.ipt	production		18																																
1.2.8		1	brake bracket	oseg_cbt_brake bracket.ipt	production		19																																
1.2.9		2	Brake axis	oseg_cbt_Brake-axis.ipt	production		20																																
<table border="1"> <tr> <td colspan="3">Proyect Crowd bicycle trailer</td> <td colspan="2">Created by D. Mosquera</td> <td colspan="3">Approved by D. Jeager</td> </tr> <tr> <td colspan="3">Part Name Crowd-bicycle-trailer</td> <td colspan="1">Part Code A3</td> <td colspan="2">Document Type Part list</td> <td colspan="2">Material</td> </tr> <tr> <td colspan="2">Redesigned by  OPEN SOURCE ECOLOGY GERMANY</td> <td colspan="2">Original drawing from Practical ACTION</td> <td colspan="1">License CERN-OHL</td> <td colspan="1">File Name crowd-bicycle-trailer-parts-list 1.0.xls</td> <td colspan="1">Version 1.0</td> <td colspan="1">Quantity</td> </tr> <tr> <td colspan="2"></td> <td colspan="2"></td> <td colspan="1"></td> <td colspan="1">Scale S/E</td> <td colspan="1">Sheet 4</td> <td colspan="1">Date 04.12.20</td> </tr> </table>								Proyect Crowd bicycle trailer			Created by D. Mosquera		Approved by D. Jeager			Part Name Crowd-bicycle-trailer			Part Code A3	Document Type Part list		Material		Redesigned by  OPEN SOURCE ECOLOGY GERMANY		Original drawing from Practical ACTION		License CERN-OHL	File Name crowd-bicycle-trailer-parts-list 1.0.xls	Version 1.0	Quantity						Scale S/E	Sheet 4	Date 04.12.20
Proyect Crowd bicycle trailer			Created by D. Mosquera		Approved by D. Jeager																																		
Part Name Crowd-bicycle-trailer			Part Code A3	Document Type Part list		Material																																	
Redesigned by  OPEN SOURCE ECOLOGY GERMANY		Original drawing from Practical ACTION		License CERN-OHL	File Name crowd-bicycle-trailer-parts-list 1.0.xls	Version 1.0	Quantity																																
					Scale S/E	Sheet 4	Date 04.12.20																																

2

1



TABLE

Pos.	Pos.	Qty.	Part name	File name (new)	Part type	Specifications	Sheet
1.3		2	frontal frame	oseg_cbt_frontal frame.iam	production		10
1.3.1	11	2	Steel pipe 20x20x610	oseg_cbt_steel pipe 20x20x610.ipt	production		21
1.3.2	12	1	Steel pipe 20x50x110	oseg_cbt_steel pipe 20x50x110.ipt	production		22
1.4			head tube	oseg_cbt_head tube.iam	production		11
1.4.1	16	1	Steel pipe 20x50x200	oseg_cbt_steel pipe 20x50x200.ipt	production		23
1.4.2	15	1	Steel pipe 20x50x400	oseg_cbt_steel pipe 20x50x400.ipt	production		24
1.4.3		1	Steel pipe 20x50x500	oseg_cbt_steel pipe 20x50x500.ipt	production		25
1.4.4		1	Bush	oseg_cbt_Bush.ipt	production		26
1.5		5	Steel pipe 20x10x610	oseg_cbt_steel-pipe 20x10x610.ipt	production		27
2		1	steering fork	oseg_cbt_steering fork.iam	Standart	steel pipe d: 22.0 - rings: 20-22	
3			support fork	oseg_cbt_support fork.iam	production		
3.1	3	1	Steel pipe 20x20x150	oseg_cbt_steel pipe 20x20x150.ipt	production		13
3.2	2	2	Steel pipe 20x20x100	oseg_cbt_steel pipe 20x20x100.ipt	production		29
3.3	1	2	Steel pipe 20x20x200	oseg_cbt_steel pipe 20x20x200.ipt	production		30
3.4		2	triangular flancher	oseg_cbt_triangular flancher.ipt	production		31
3.5		2	Brake axis rate	oseg_cbt_Brake-axi-rate.ipt	production		32
3.6	5,6	1	wheel rate	oseg_cbt_wheel rate.ipt	Standart	hub standart for bicycle	
3.7		1	handlebar-stem	oseg_cbt_handlebar-stem.ipt	Standart		
4			tow bar	oseg_cbt_tow bar.iam	production		33
4.1		2	Steel pipe 20x20x850	oseg_cbt_steel pipe 20x20x500.ipt	production		34
4.2		1	coupling	oseg_cbt_coupling.ipt	production		35
4.3		1	Steel pipe 20x20x200	oseg_cbt_steel pipe 20x50x200.ipt	production		
5		3	bike wheel	oseg_cbt_bike-wheel.ipt	Standart	model:20x2 125 with rubber, hub and axi	

Proyect

Crowd bicycle trailer

Created by

D. Mosquera

Approved by

D. Jeager

Part Name

Crowd-bicycle-trailer

Part Code

A3

Document Type

Part list

Material

Redesigned by

OPEN SOURCE ECOLOGY
GERMANY

Original drawing from

**Practical
ACTION**

License

CERN-OHL

File Name

crowd-bicycle-trailer-parts-list 1.0.xls

Version

1.0

Quantity

Scale

S/E

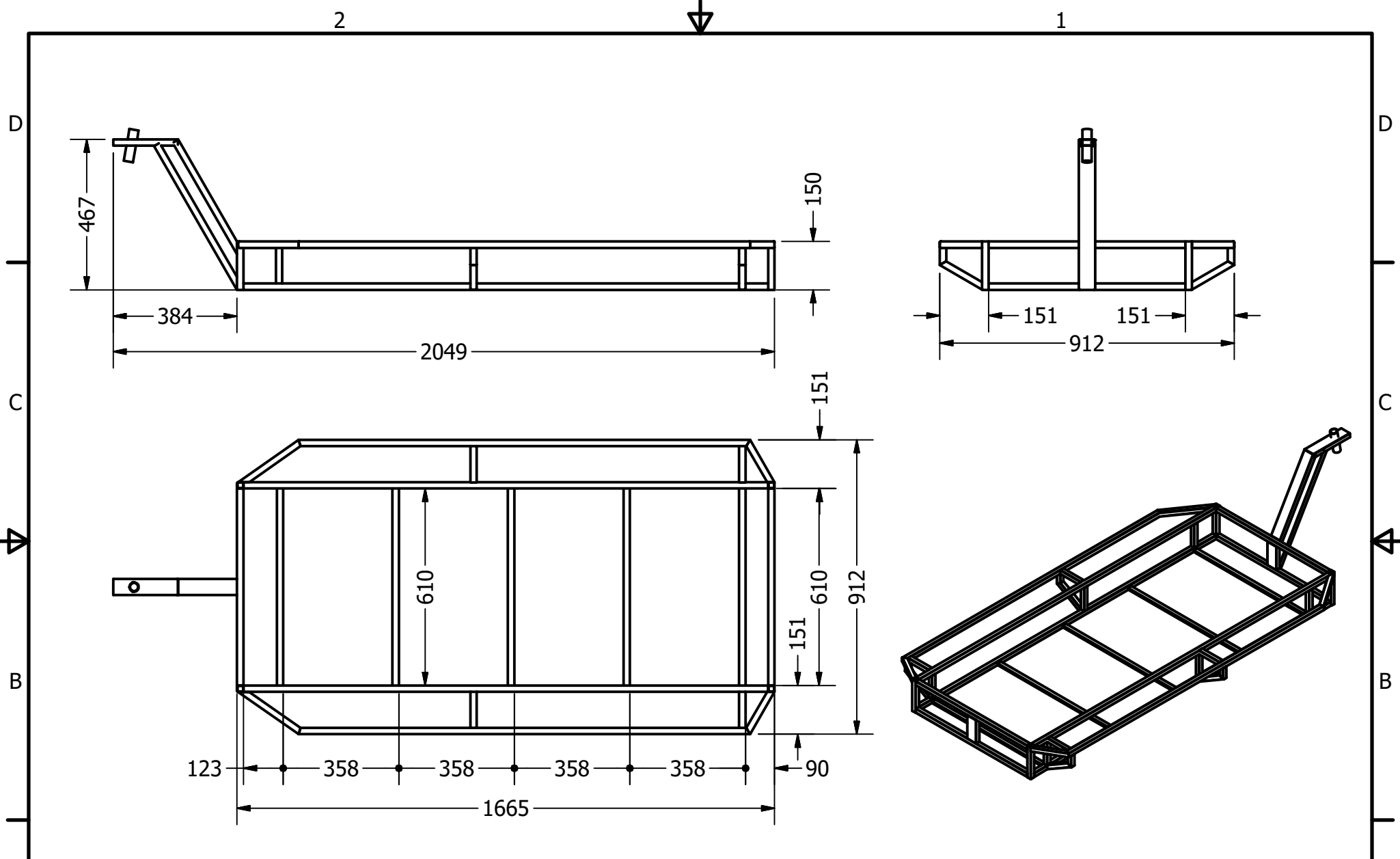
Sheet


5

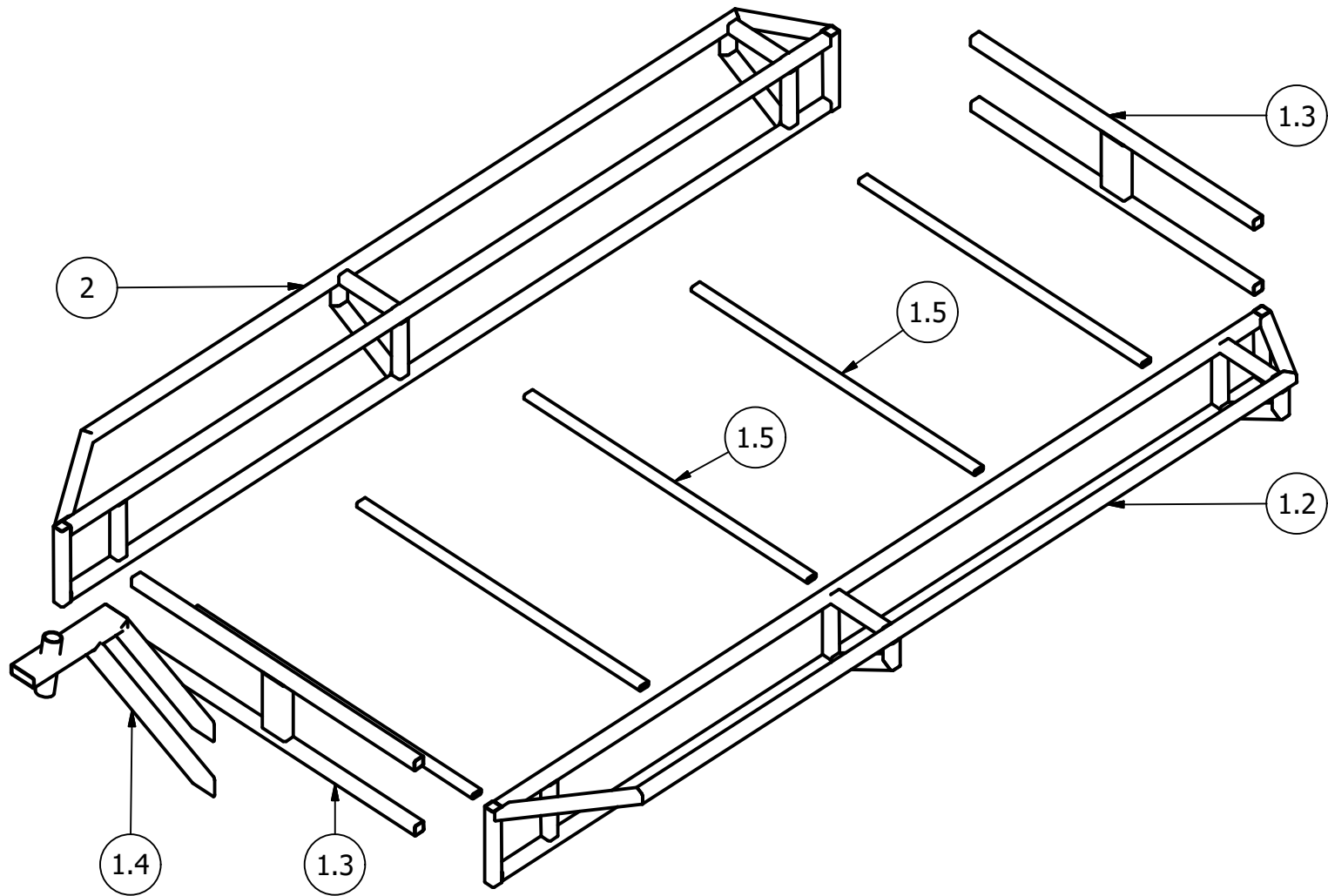
Date


04.12.20

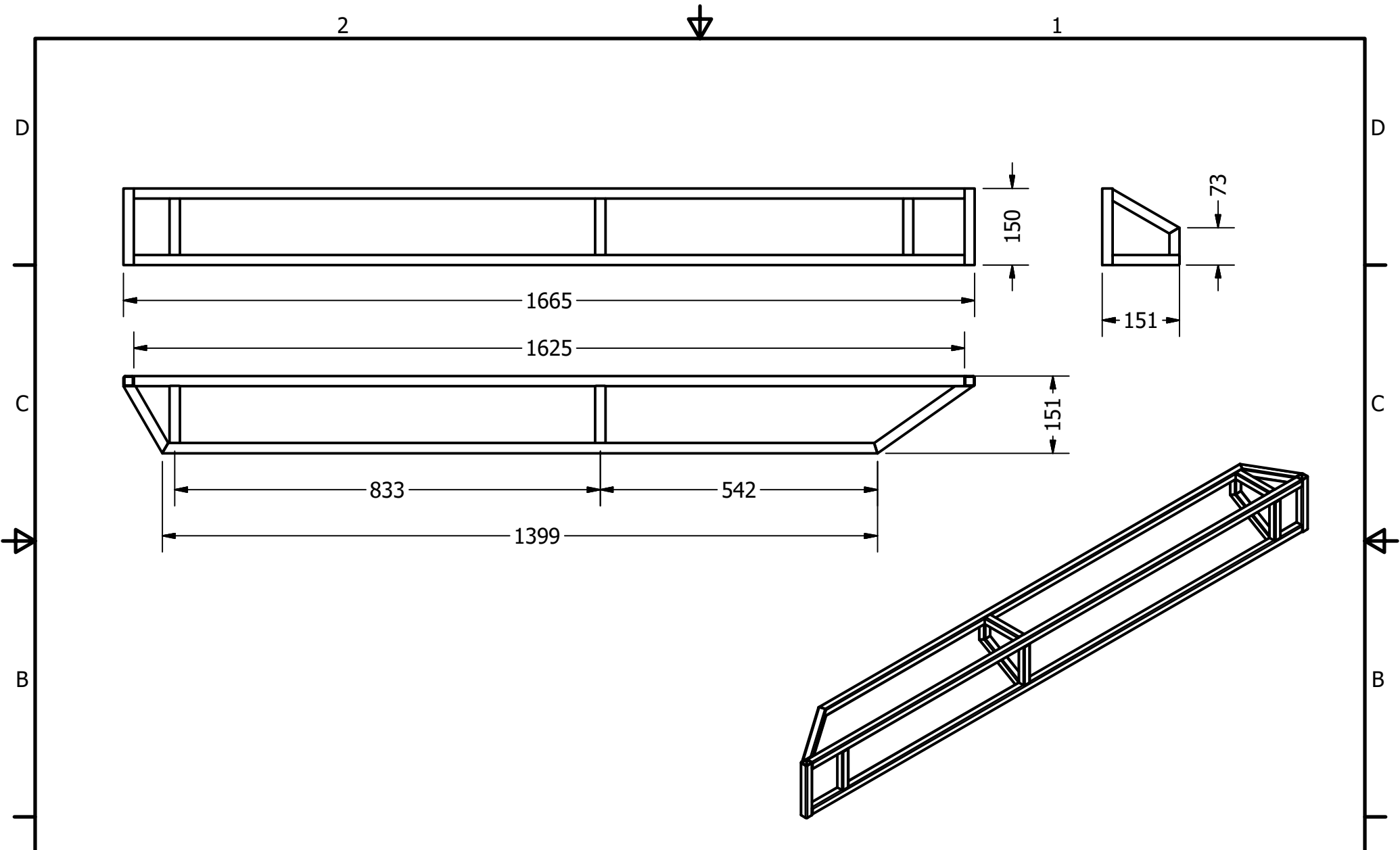





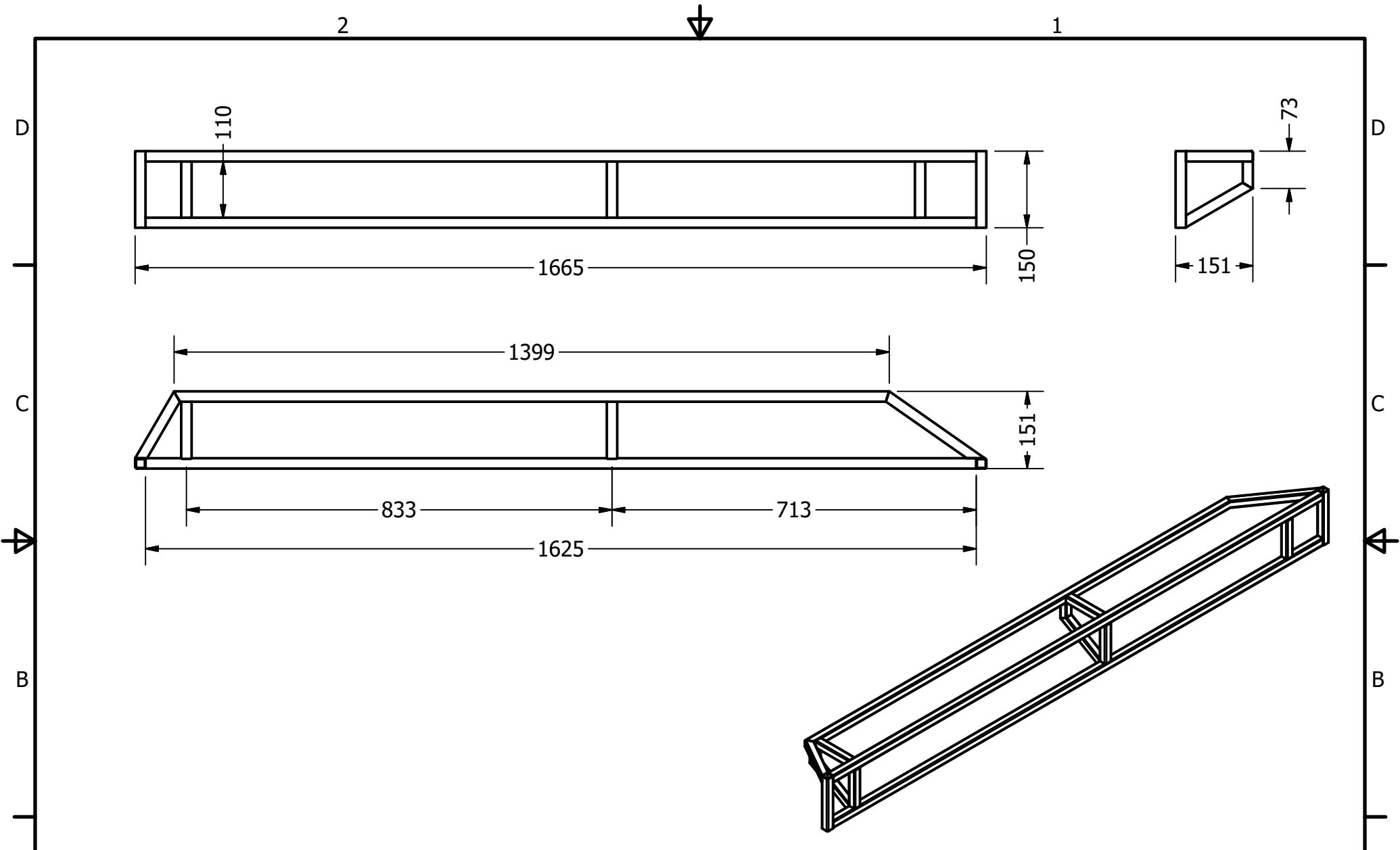
Project Crowd bicycle trailer		Created by D. Mosquera		Approved by D. Jeager	
Part Name Frame		Part Code 1	Document Type ASSEMBLY		Material
Redesigned by  OPEN SOURCE ECOLOGY GERMANY	Original drawing from Practical ACTION	License CERN-OHL	File Name oseg_cbt_frame.iam		Version 1.0
			Scale 1:12	Sheet 6	Quantity 1
				Date 04.12.20	




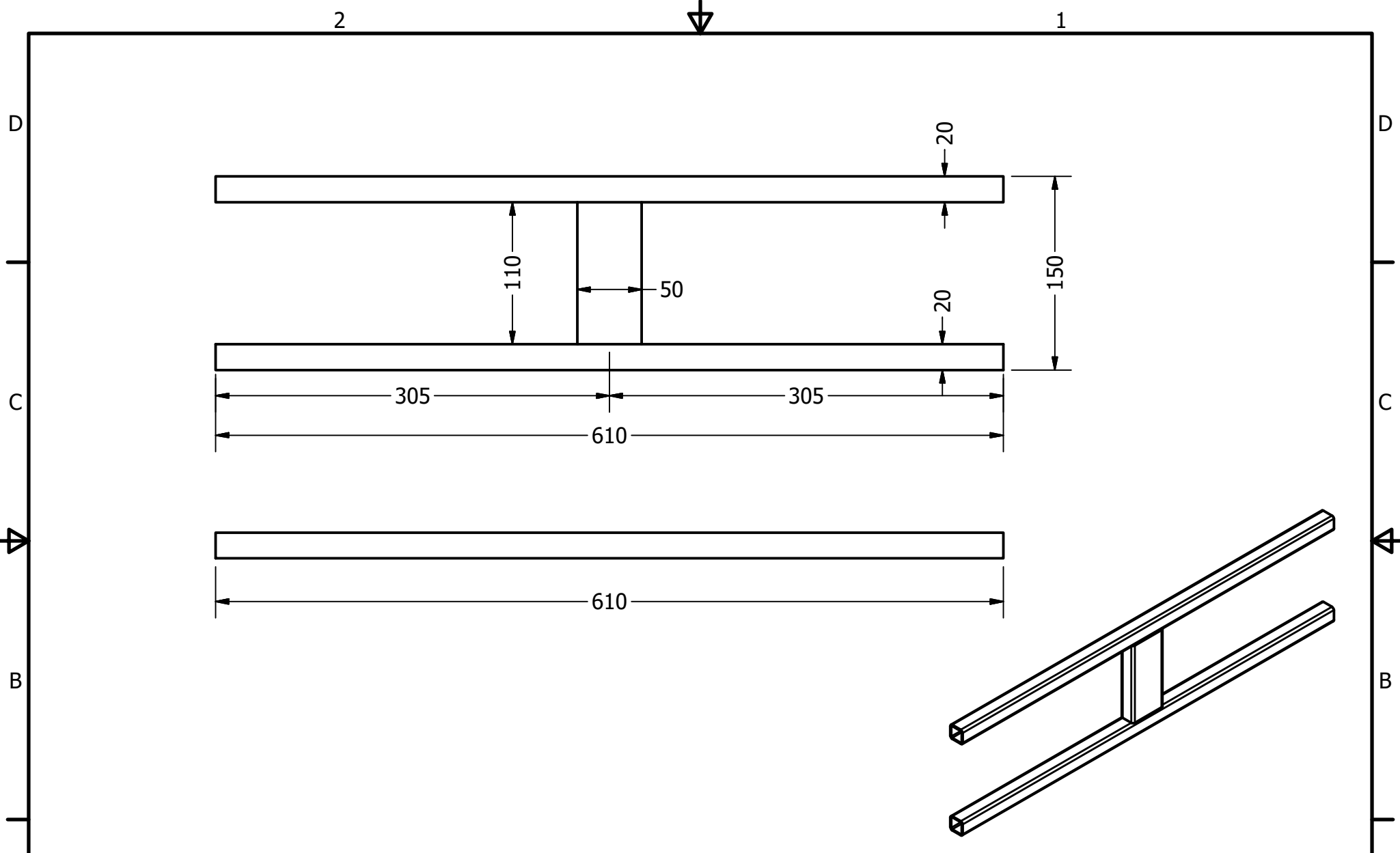
Project Crowd bicycle trailer		Created by D. Mosquera		Approved by D. Jeager	
Part Name Frame		Part Code 1	Document Type ASSEMBLY		Material
Redesigned by  OPEN SOURCE ECOLOGY GERMANY	Original drawing from Practical ACTION	License CERN-OHL	File Name oseg_cbt_frame.ipn	Version 1.0	Quantity 1
			Scale 1:12	Sheet 7	Date 04.12.20




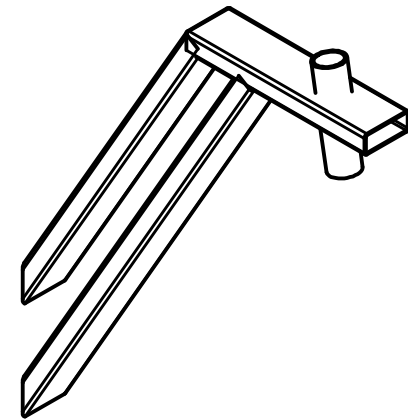
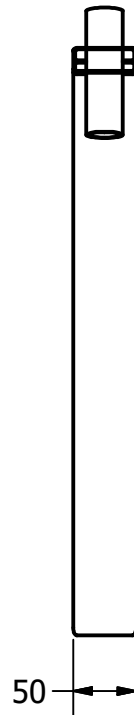
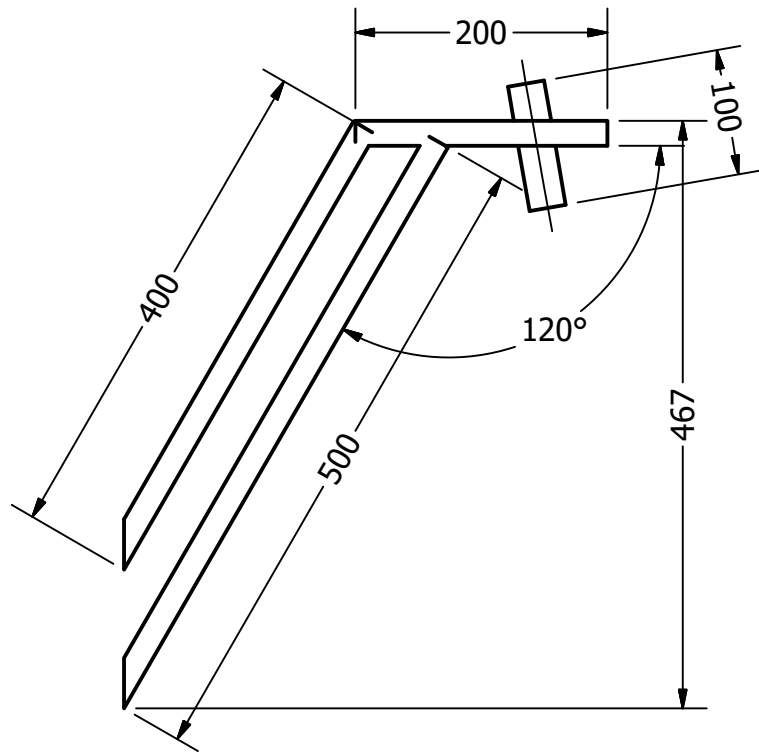
Proyect Crowd bicycle trailer		Created by D. Mosquera	Approved by D. Jeager		
Part Name Left-side-frame		Part Code 1.1	Document Type ASSEMBLY	Material	
Redesigned by  OPEN SOURCE ECOLOGY GERMANY	Original drawing from Practical ACTION	License CERN-OHL	File Name oseg_cbt_left-side-frame.iam	Version 1.0	Quantity 1
			Scale 1:10	Sheet 8	Date 04.12.20




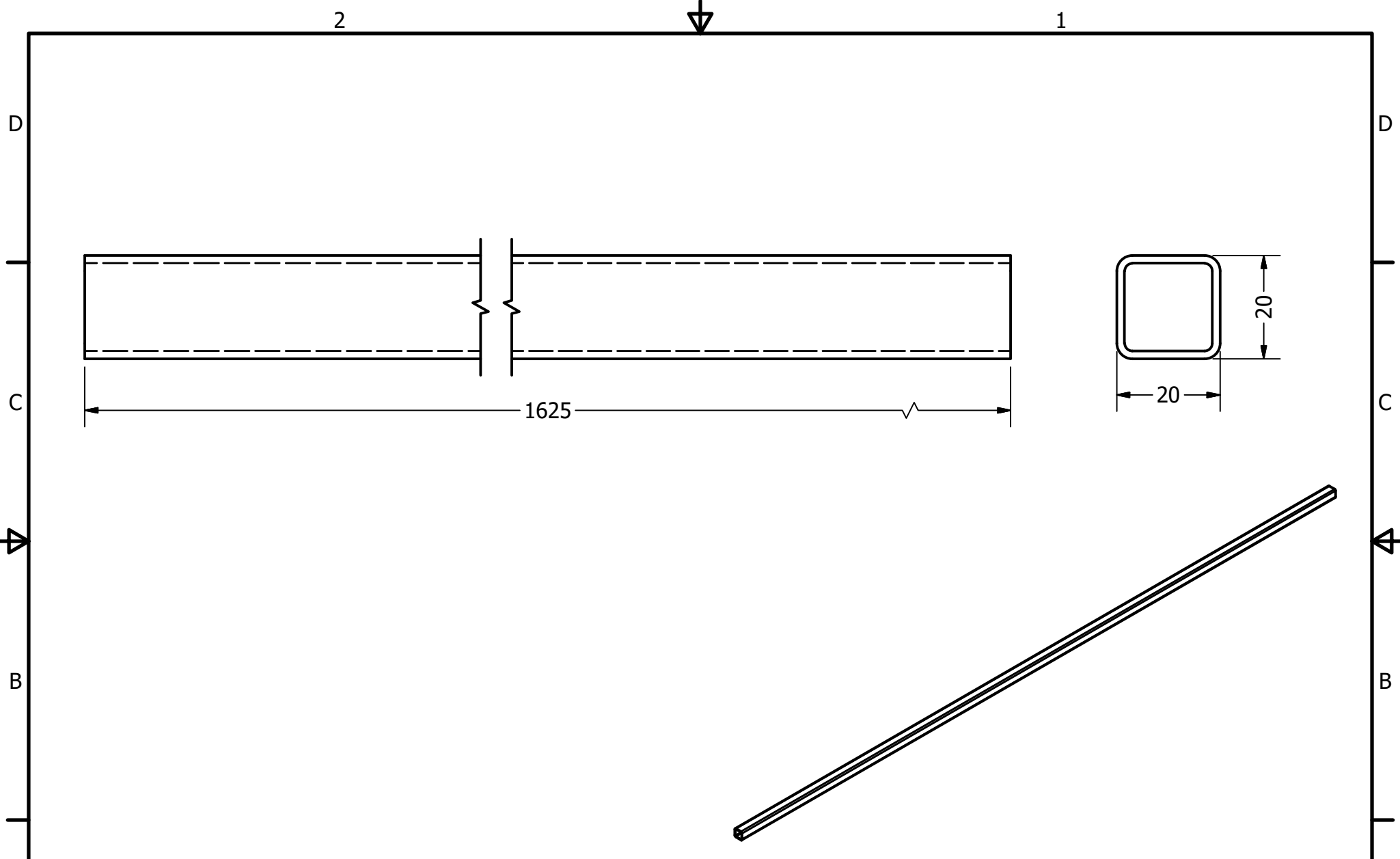
Proyect Crowd bicycle trailer		Created by D. Mosquera		Approved by D. Jeager	
Part Name Rigth-side-frame		Part Code 1.2	Document Type ASSEMBLY		Material
Redesigned by  OPEN SOURCE ECOLOGY GERMANY	Original drawing from Practical ACTION	License CERN-OHL	File Name oseg_cbt_rigth-side-frame.iam		Version 1.0
			Scale 1:10	Sheet 9	Quantity 1
				Date 04.12.20	




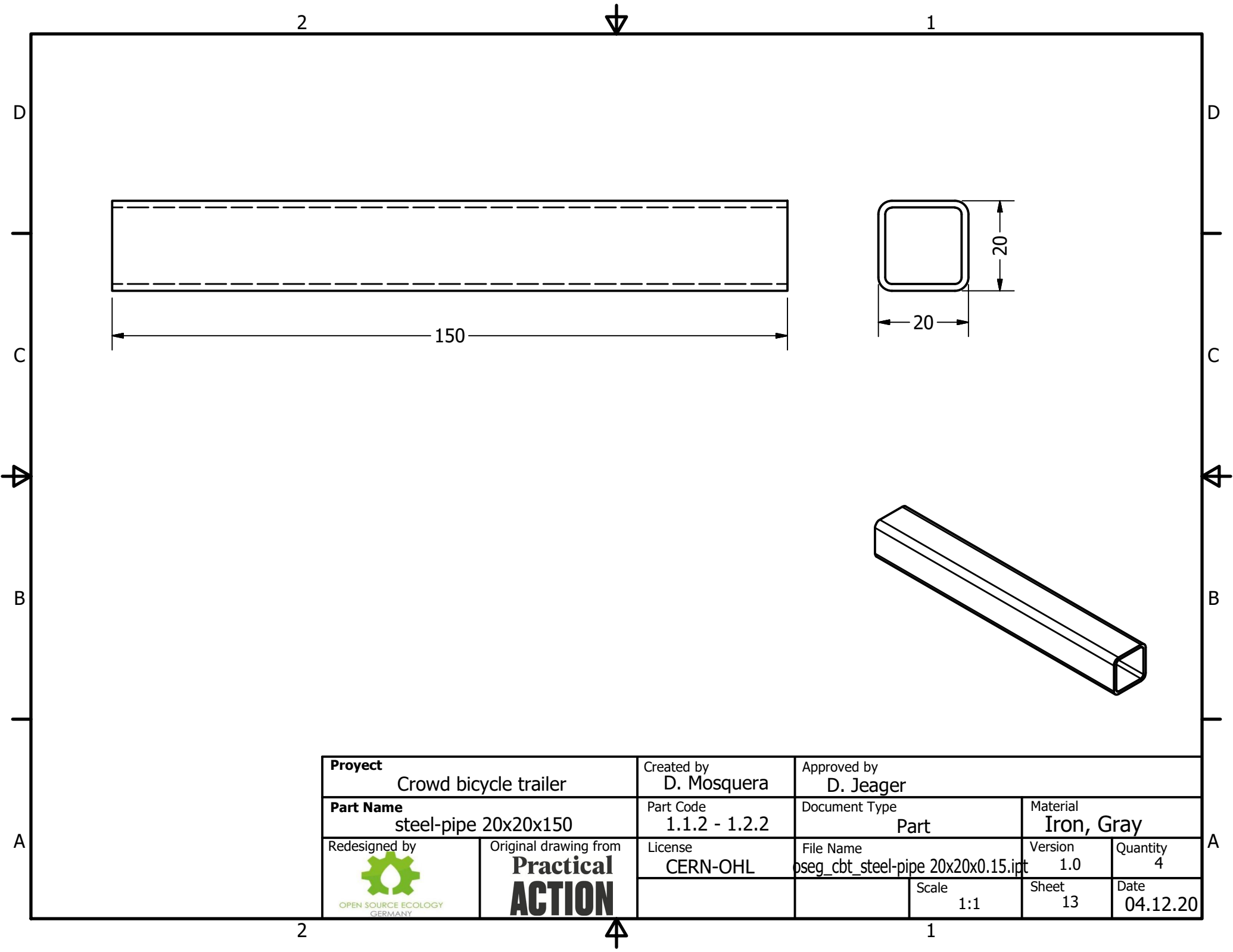
Proyect Crowd bicycle trailer		Created by D. Mosquera		Approved by D. Jeager	
Part Name frontal-frame		Part Code 1.3		Document Type ASSEMBLY	
Redesigned by  OPEN SOURCE ECOLOGY GERMANY		Original drawing from Practical ACTION		License CERN-OHL	
				File Name oseq_cbt_frontend-frame.iam	
				Version 1.0	
				Quantity 1	
				Scale 1:4	
				Sheet 11	
				Date 04.12.20	




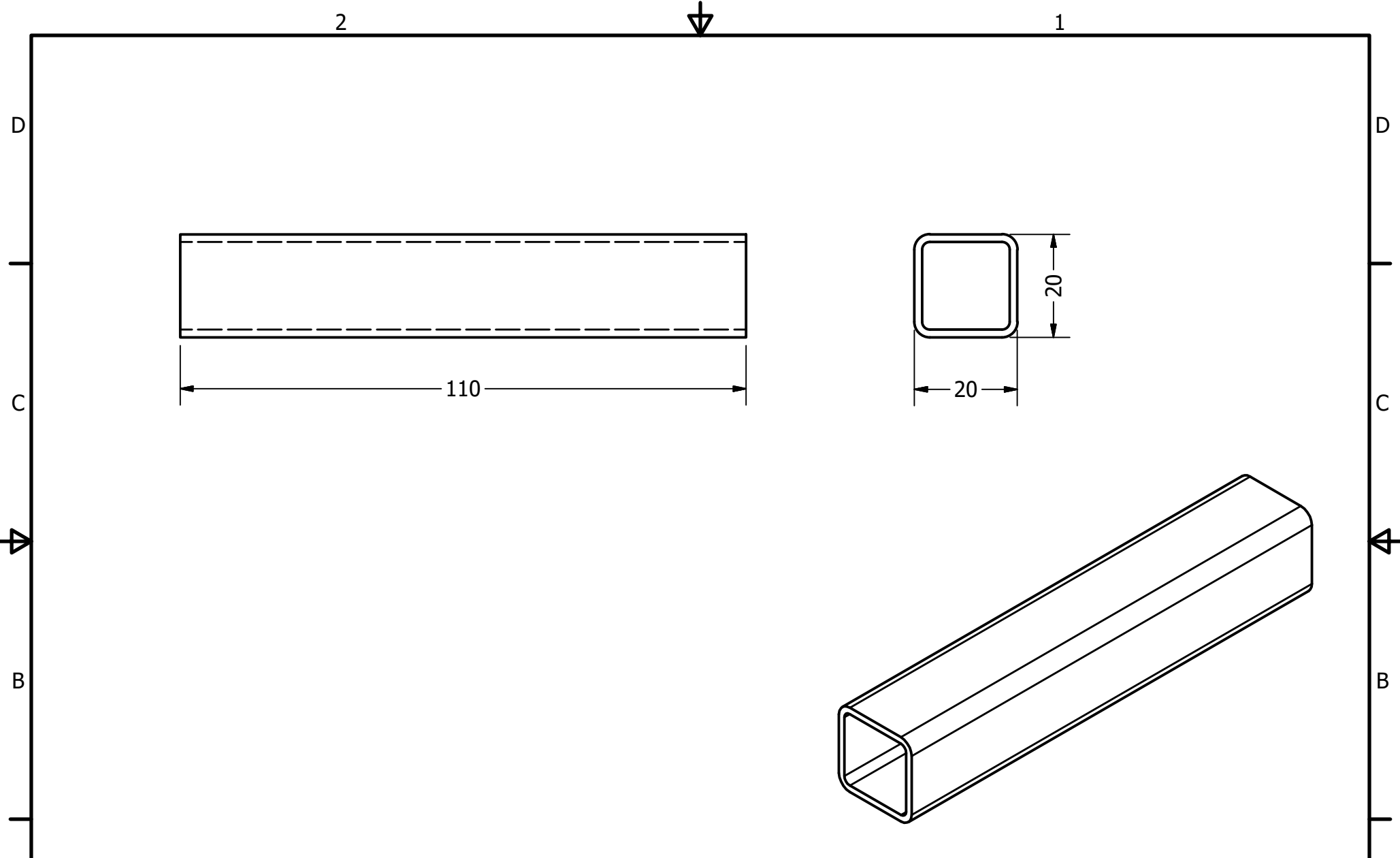
Proyect Crowd bicycle trailer		Created by D. Mosquera		Approved by D. Jeager	
Part Name Head-tube		Part Code 1.4		Document Type ASSEMBLY	
Redesigned by  OPEN SOURCE ECOLOGY GERMANY		Original drawing from Practical ACTION		License CERN-OHL	
				File Name oseg_cbt_head-tube.iam	
				Version 1.0	
				Quantity 1	
				Scale 1:6	
				Sheet 10	
				Date 04.12.20	




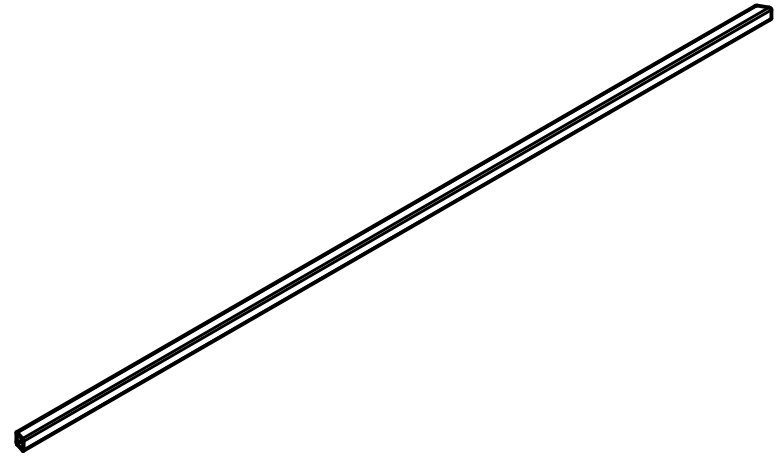
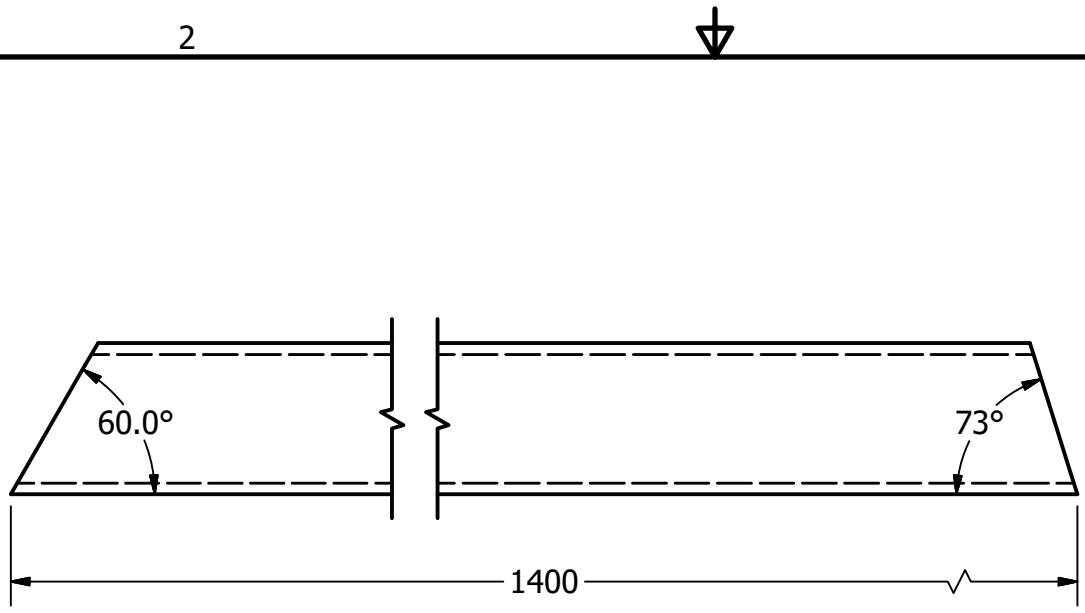
Proyect Crowd bicycle trailer		Created by D. Mosquera		Approved by D. Jeager	
Part Name steel-pipe 20x20x1620		Part Code 1.1.1 - 1.2.1		Document Type Part	
Redesigned by  OPEN SOURCE ECOLOGY GERMANY		Original drawing from Practical ACTION		License CERN-OHL	
				File Name oseg_cbt_steel-pipe 20x20x1.62.ipt	
				Version 1.0	
				Quantity 4	
				Scale 1:1	
				Sheet 12	
				Date 04.12.20	




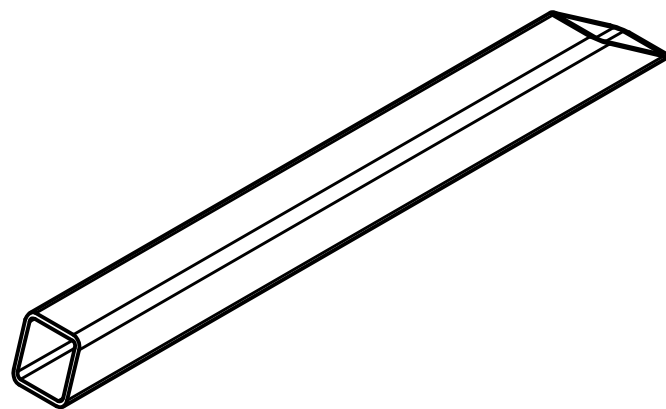
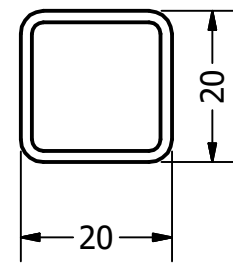
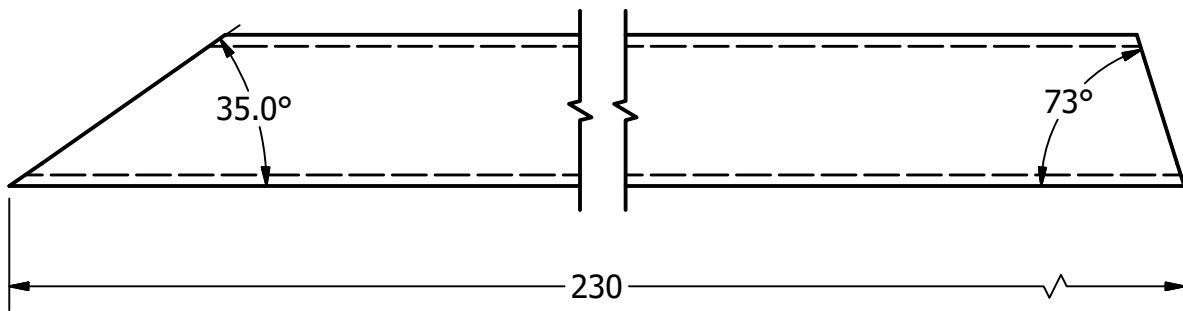
Proyect Crowd bicycle trailer		Created by D. Mosquera		Approved by D. Jeager		
Part Name steel-pipe 20x20x150		Part Code 1.1.2 - 1.2.2		Document Type Part		Material Iron, Gray
Redesigned by  OPEN SOURCE ECOLOGY GERMANY	Original drawing from Practical ACTION	License CERN-OHL	File Name oseg_cbt_steel-pipe 20x20x0.15.ipt		Version 1.0	Quantity 4
			Scale 1:1	Sheet 13	Date 04.12.20	




Proyect Crowd bicycle trailer		Created by D. Mosquera	Approved by D. Jeager		
Part Name steel-pipe 20x20x110		Part Code 1.1.3 - 1.2.3	Document Type Part	Material Iron, Gray	
Redesigned by  OPEN SOURCE ECOLOGY GERMANY	Original drawing from Practical ACTION	License CERN-OHL	File Name oseg_cbt_steel-pipe 20x20x0.11.ipt	Version 1.0	Quantity 10
			Scale 1:1	Sheet 14	Date 04.12.20



Proyect Crowd bicycle trailer		Created by D. Mosquera		Approved by D. Jeager	
Part Name steel-pipe 20x20x1400		Part Code 1.1.4 - 1.2.4		Document Type Part	
Redesigned by  OPEN SOURCE ECOLOGY GERMANY		Original drawing from Practical ACTION		License CERN-OHL	
				File Name cseg_cbt_steel-pipe 20x20x1400.ipt	
				Version 1.0	
				Quantity 2	
				Scale 1:1	
				Sheet 15	
				Date 04.12.20	



Proyect Crowd bicycle trailer		Created by D. Mosquera		Approved by D. Jeager		
Part Name steel-pipe 20x20x230		Part Code 1.1.5 - 1.2.5		Document Type Part		Material Iron, Gray
Redesigned by  OPEN SOURCE ECOLOGY GERMANY	Original drawing from Practical ACTION	License CERN-OHL		File Name oseg_cbt_steel-pipe 20x20x230.ipt		Version 1.0
				Scale 1:1	Sheet 16	Quantity 4
				Date 04.12.20		

2



1

D

D

C

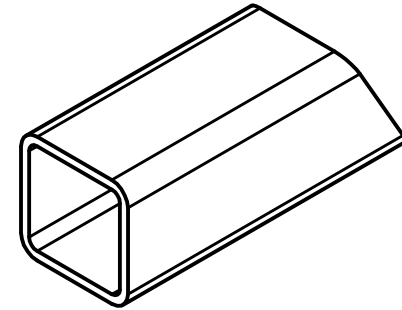
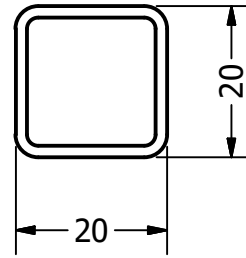
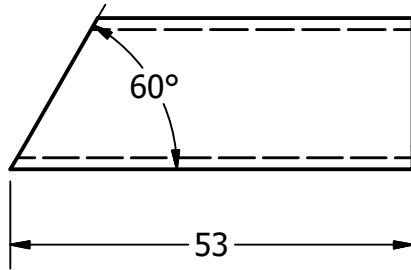
C


B

B

A

A

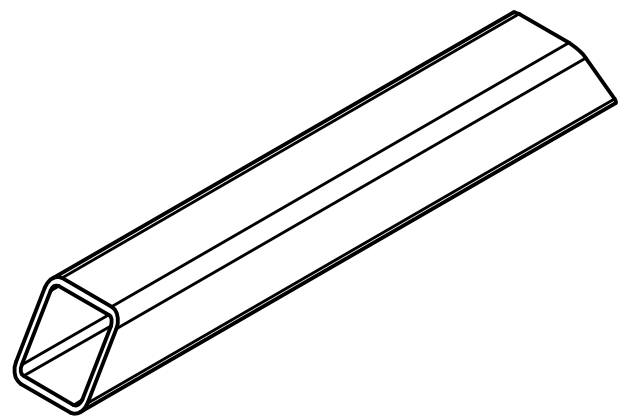
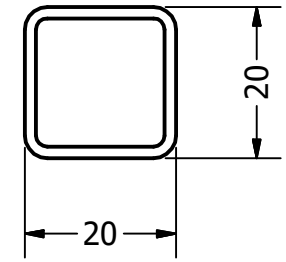
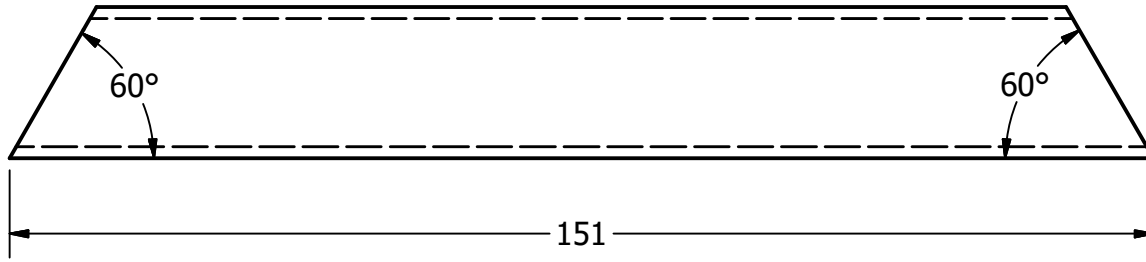



Proyect Crowd bicycle trailer		Created by D. Mosquera		Approved by D. Jeager	
Part Name steel-pipe 20x20x53		Part Code 1.1.6 - 1.2.6		Document Type Part	
Redesigned by  OPEN SOURCE ECOLOGY GERMANY		Original drawing from Practical ACTION		File Name oseg_cbt_steel-pipe 20x20x53.ipt	
		License CERN-OHL		Version 1.0	
				Quantity 4	
				Scale 1:1	
				Sheet 17	
				Date 04.12.20	

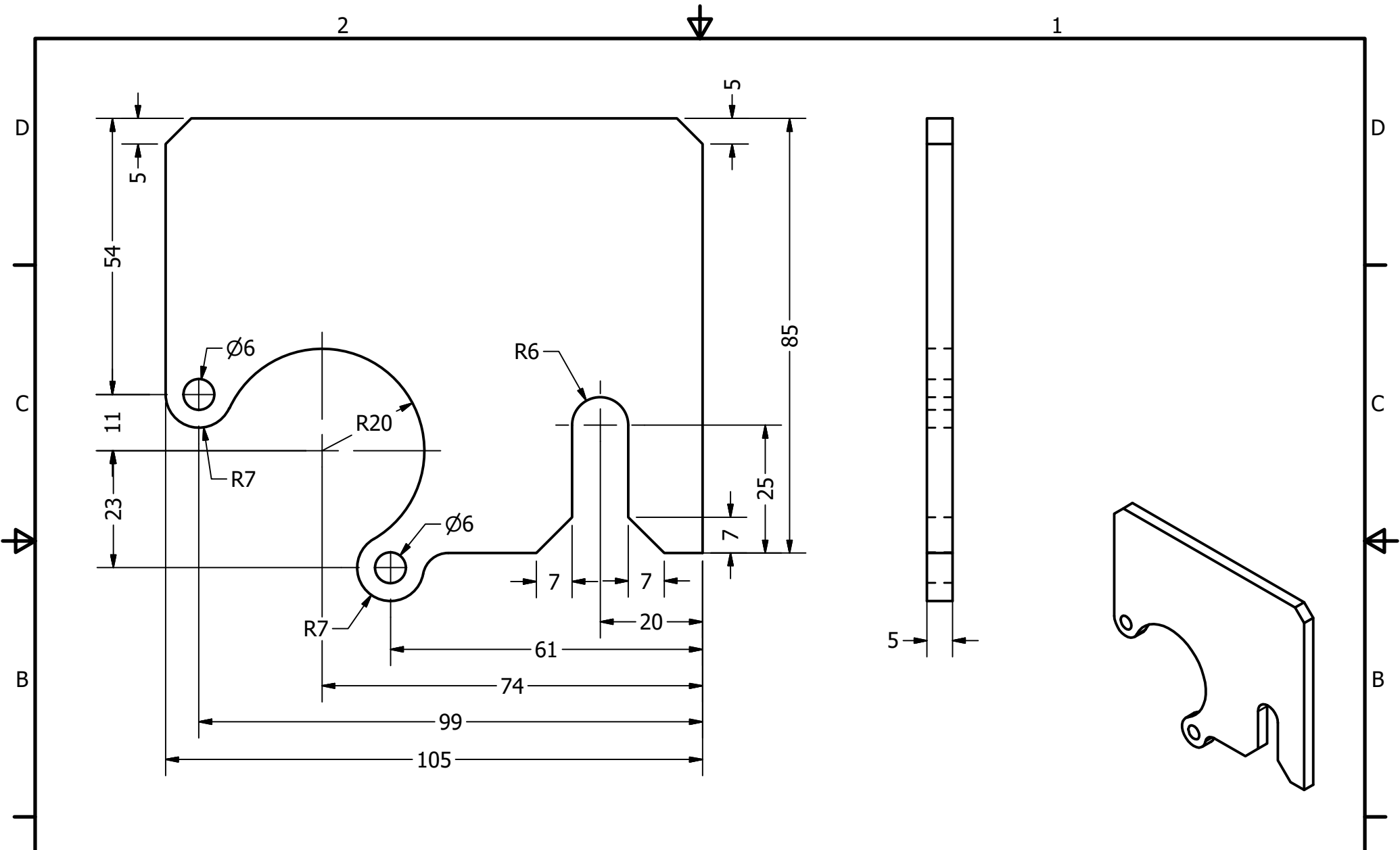
2




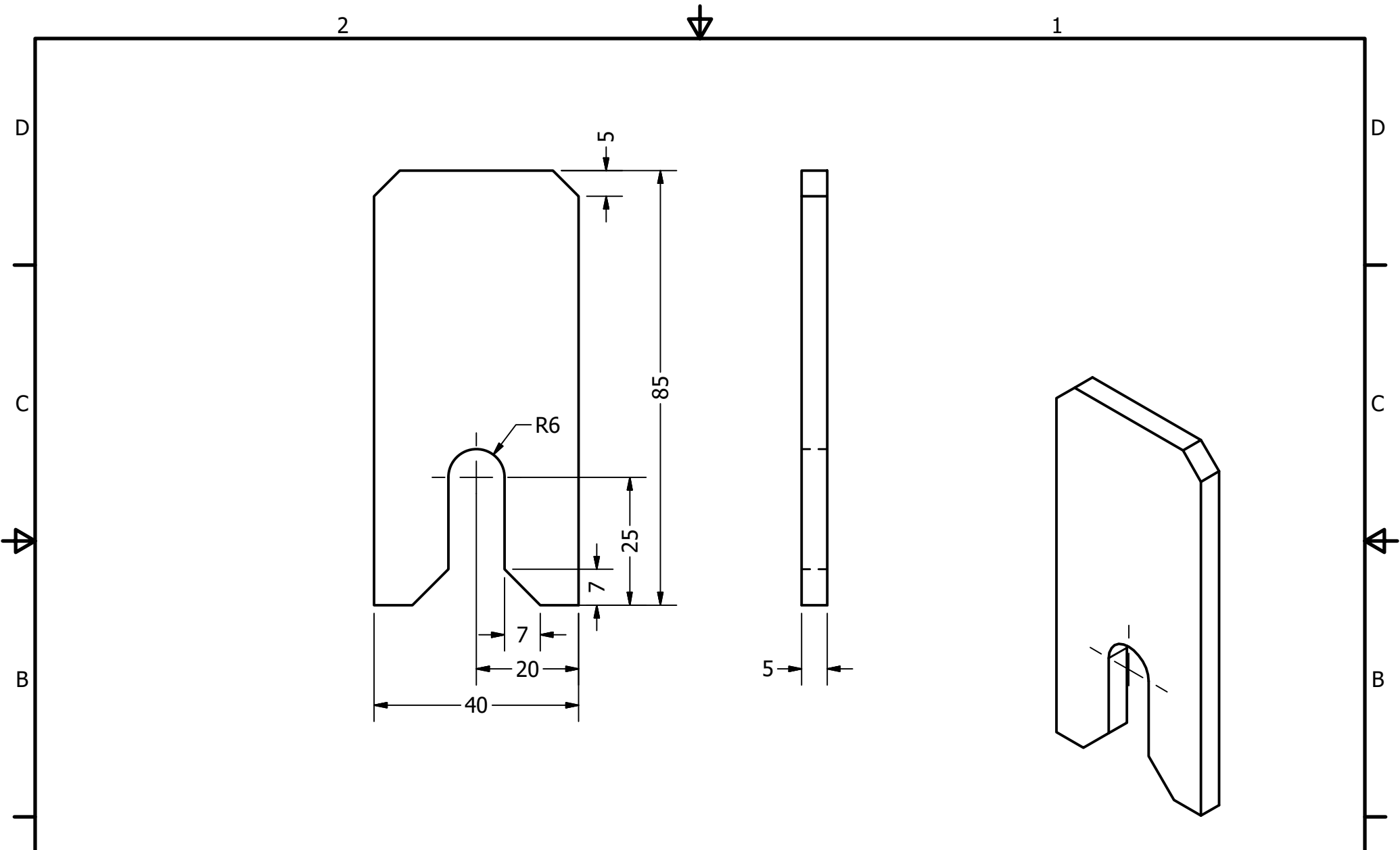
1




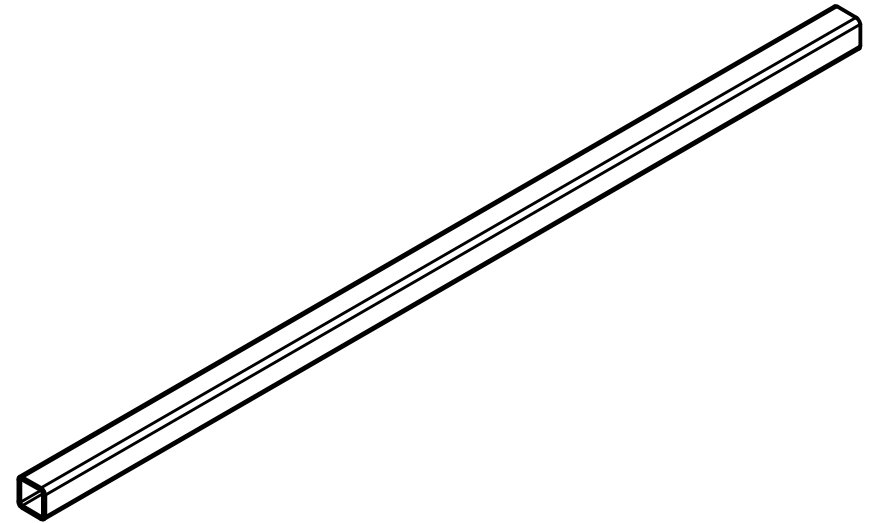
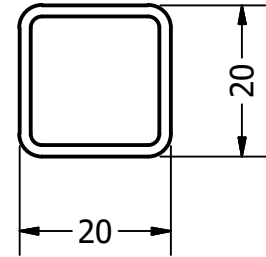
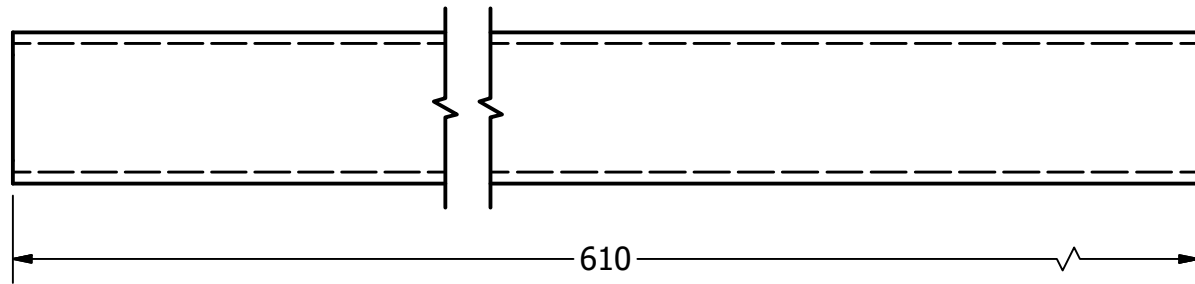
Proyect Crowd bicycle trailer		Created by D. Mosquera		Approved by D. Jeager	
Part Name steel-pipe 20x20x152		Part Code 1.1.7 - 1.2.7		Document Type Part	
Redesigned by  OPEN SOURCE ECOLOGY GERMANY		Original drawing from Practical ACTION		File Name oseg_cbt_steel-pipe 20x20x152.ipc	
		License CERN-OHL		Version 1.0	
		Scale 1:1		Quantity 4	
				Date 04.12.20	
				Sheet 18	




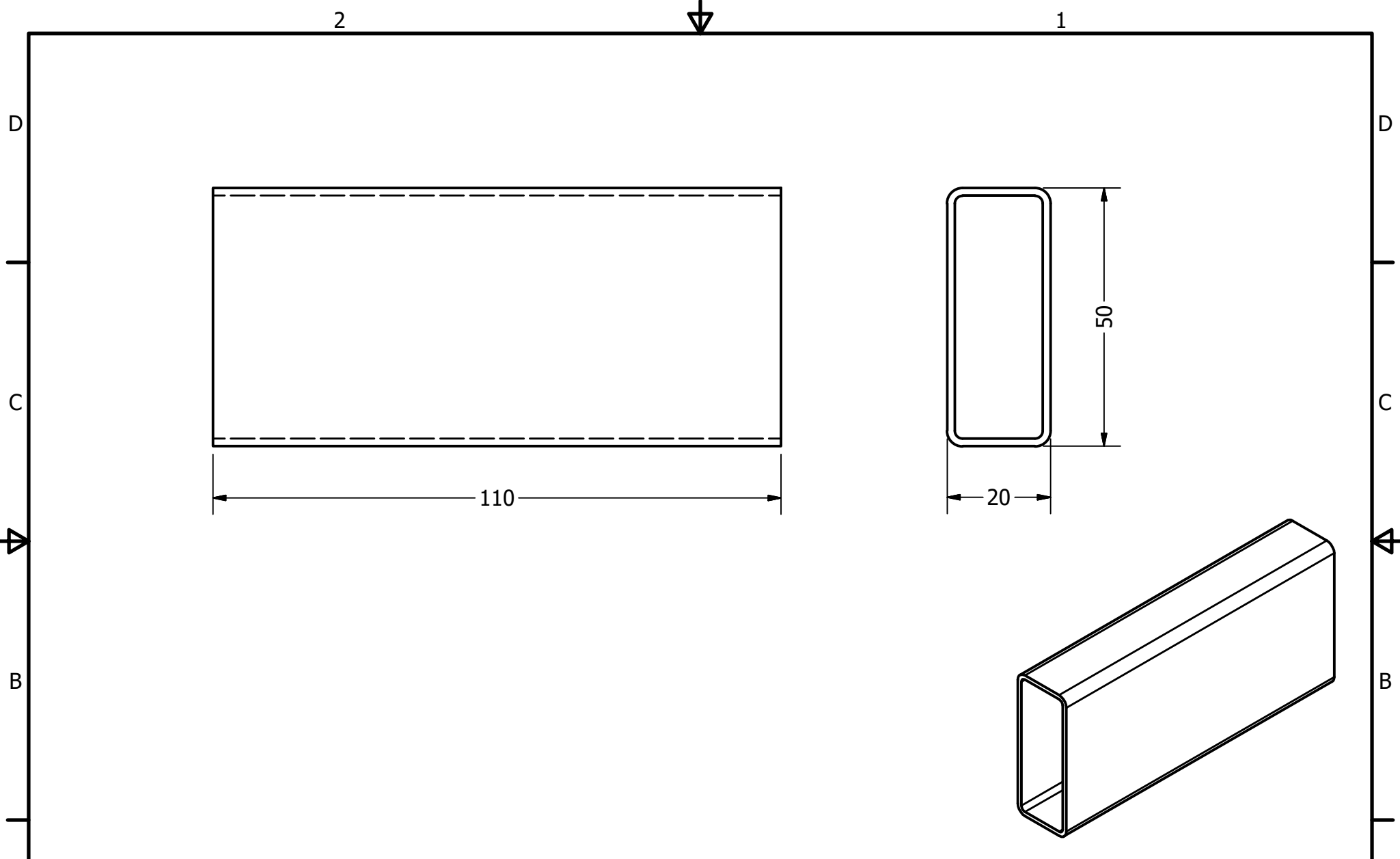
Proyect Crowd bicycle trailer		Created by D. Mosquera		Approved by D. Jeager	
Part Name Brake-break		Part Code 1.2.8	Document Type Part		Material Iron, Cast
Redesigned by  OPEN SOURCE ECOLOGY GERMANY	Original drawing from Practical ACTION	License CERN-OHL	File Name oseg_cbt_Brake-break.ipt		Version 1.0
			Scale 1:1	Sheet 19	Quantity 2
				Date 04.12.20	




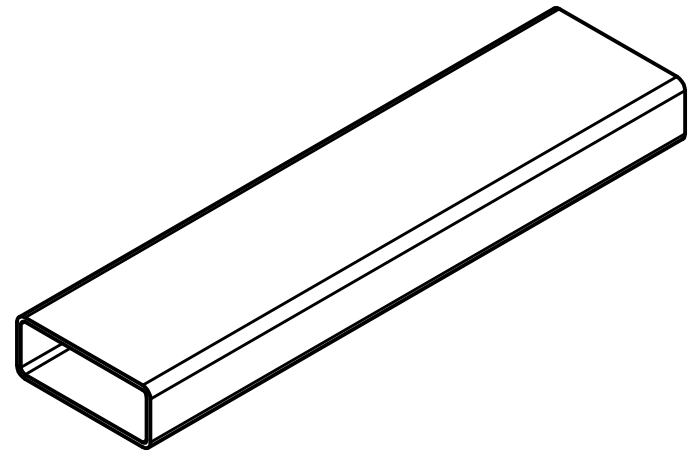
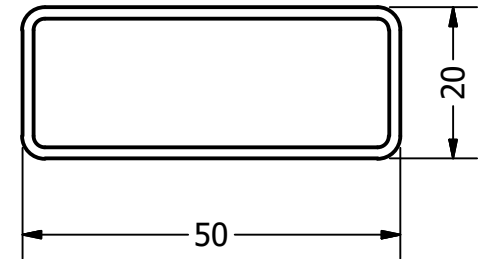
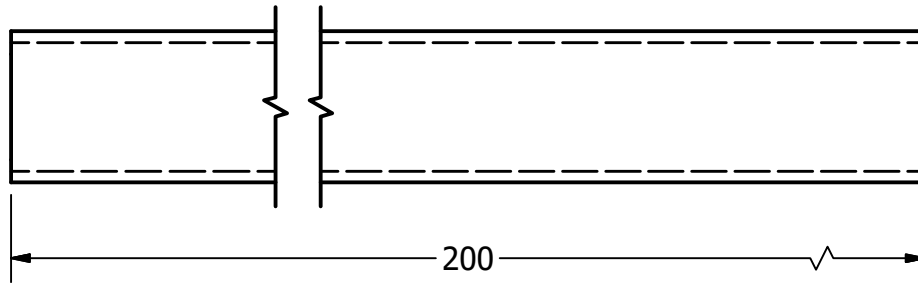
Proyect Crowd bicycle trailer		Created by D. Mosquera		Approved by D. Jeager	
Part Name Brake-axis		Part Code 1.2.9		Document Type Part	
Redesigned by  OPEN SOURCE ECOLOGY GERMANY		Original drawing from Practical ACTION		License CERN-OHL	
				File Name oseg_cbt Brake-axis.ipt	
				Version 1.0	
				Quantity 4	
				Scale 1:1	
				Sheet 20	
				Date 04.12.20	




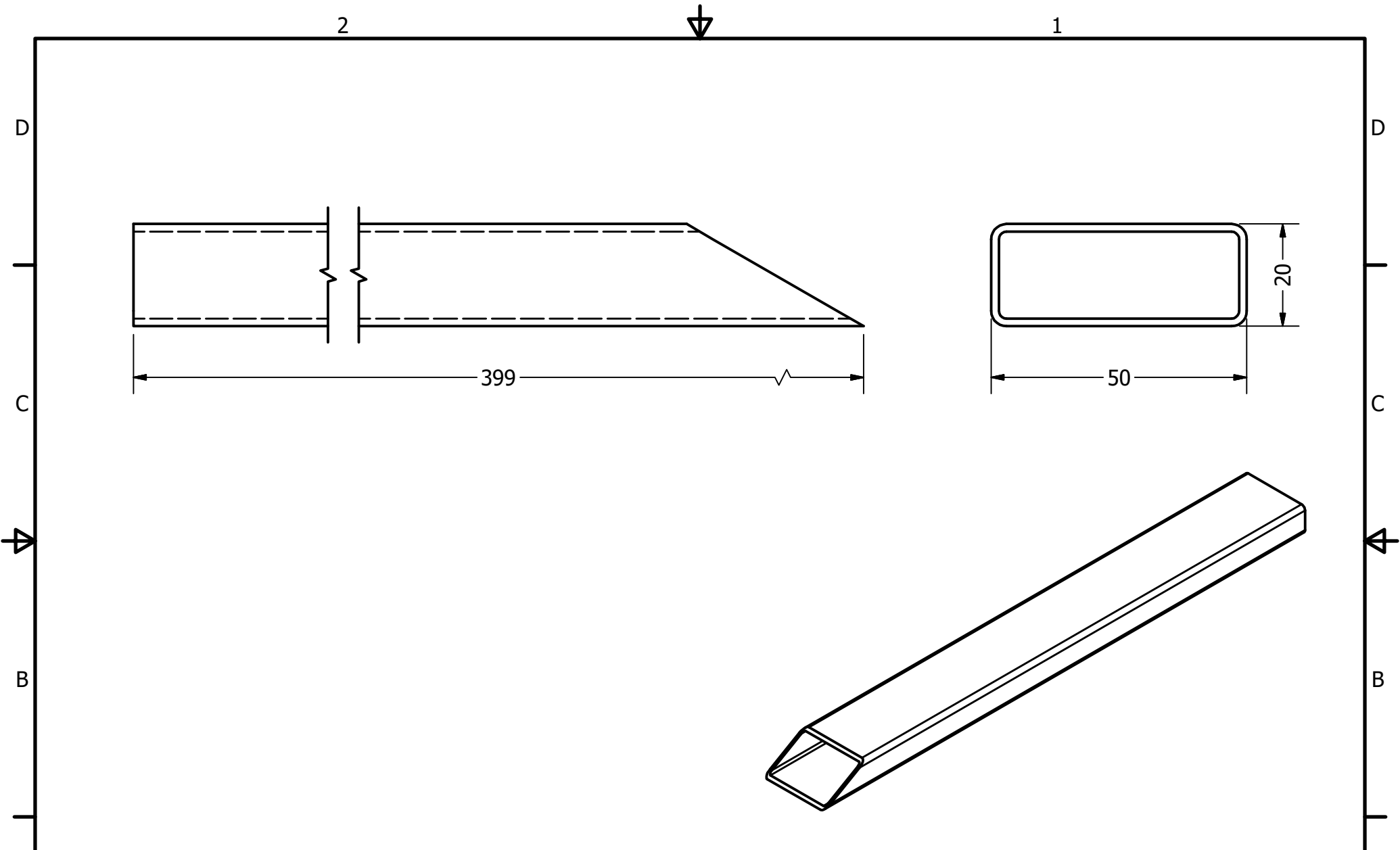
Proyect Crowd bicycle trailer		Created by D. Mosquera	Approved by D. Jeager		
Part Name steel-pipe 20x20x610		Part Code 1.3.1	Document Type Part	Material Iron, Gray	
Redesigned by  OPEN SOURCE ECOLOGY GERMANY	Original drawing from Practical ACTION	License CERN-OHL	File Name oseg_cbt_steel-pipe 20x20x0.61.ipt	Version 1.0	Quantity 1
			Scale 1:1	Sheet 21	Date 04.12.20




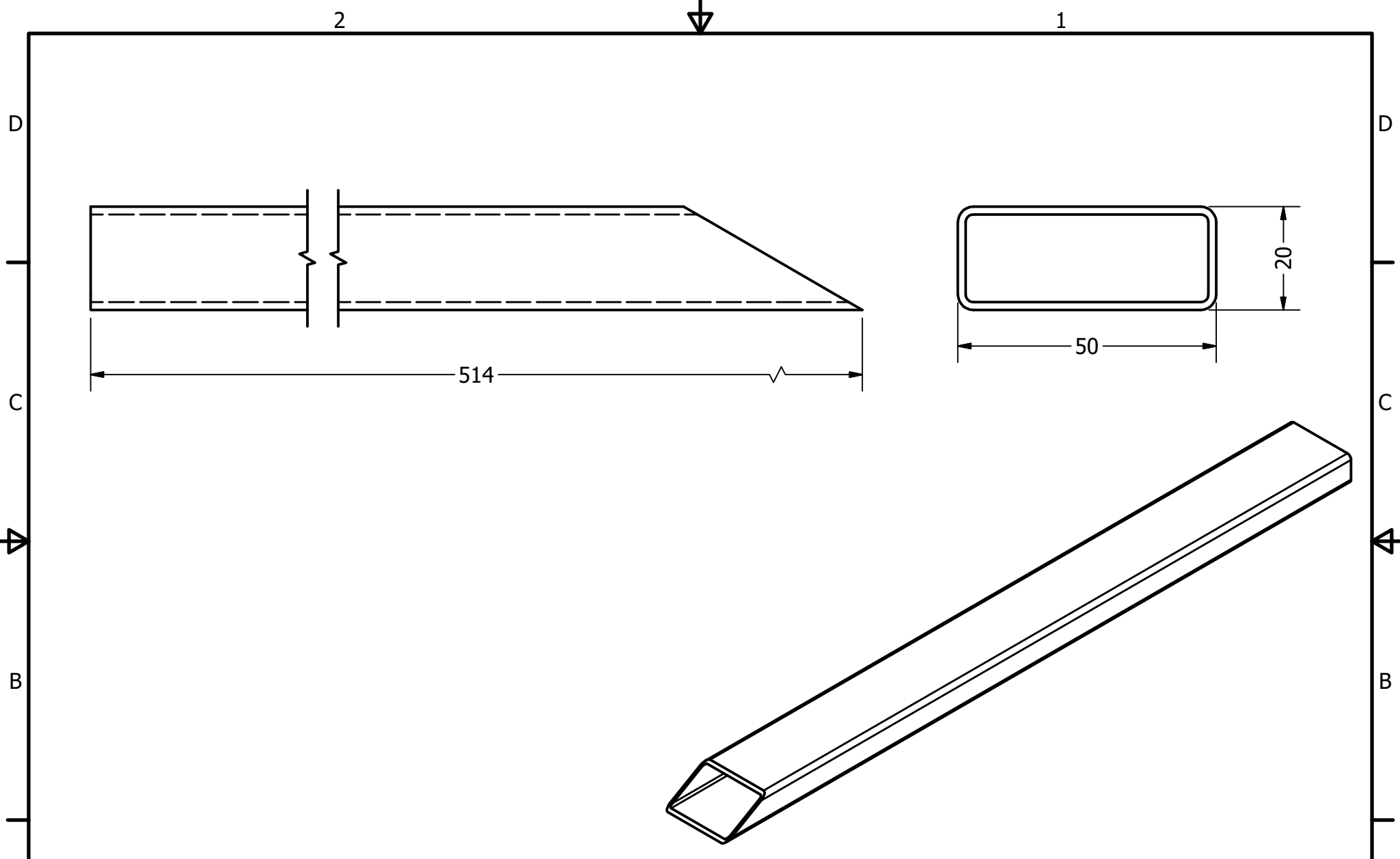
Proyect Crowd bicycle trailer		Created by D. Mosquera	Approved by D. Jeager		
Part Name steel-pipe 20x50x110		Part Code 1.3.2	Document Type Part	Material Iron, Gray	
Redesigned by  OPEN SOURCE ECOLOGY GERMANY	Original drawing from Practical ACTION	License CERN-OHL	File Name oseg_cbt_steel-pipe 20x50x110.ipt	Version 1.0	Quantity 1
			Scale 1:1	Sheet 22	Date 04.12.20




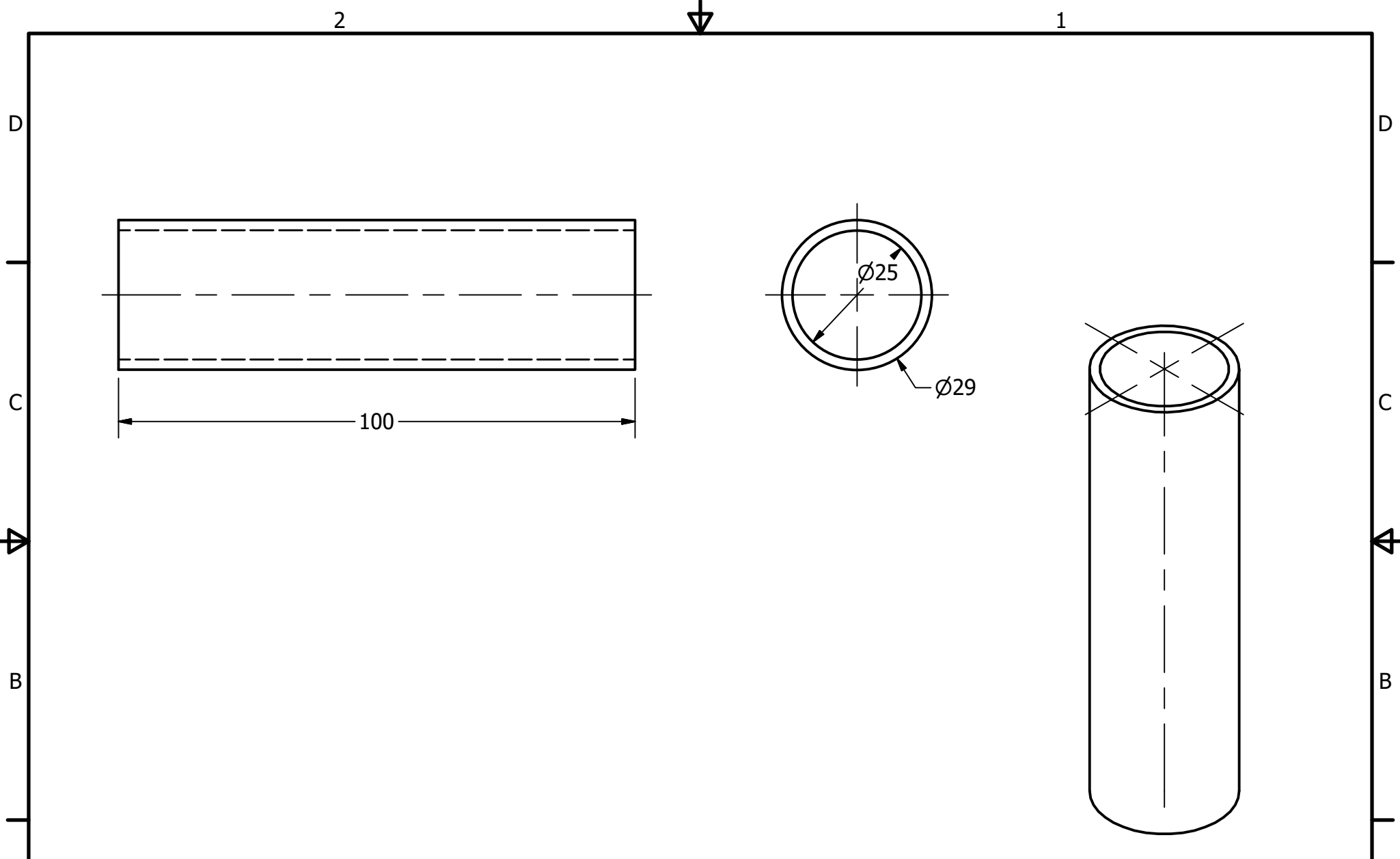
Proyect Crowd bicycle trailer		Created by D. Mosquera	Approved by D. Jeager		
Part Name steel-pipe 20x50x200		Part Code 1.4.2	Document Type Part		Material Iron, Gray
Redesigned by  OPEN SOURCE ECOLOGY GERMANY	Original drawing from Practical ACTION	License CERN-OHL	File Name oseg_cbt_steel-pipe 20x50x0.20.ipt	Version 1.0	Quantity 1
			Scale 1:1	Sheet 23	Date 04.12.20




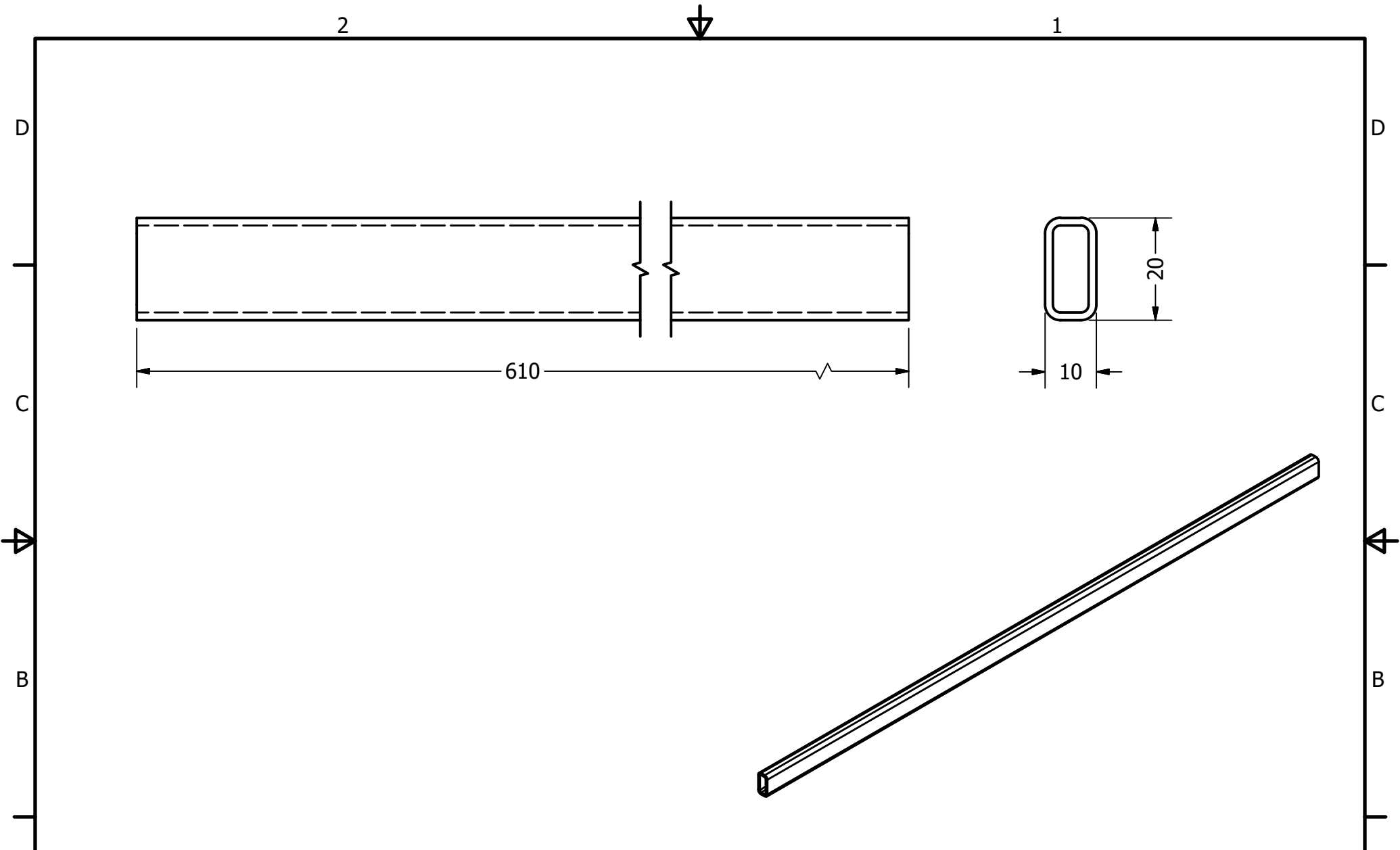
Proyect Crowd bicycle trailer		Created by D. Mosquera		Approved by D. Jeager		
Part Name steel-pipe 20x50x400		Part Code 1.4.2		Document Type Part		Material Iron, Gray
Redesigned by  OPEN SOURCE ECOLOGY GERMANY	Original drawing from Practical ACTION	License CERN-OHL	File Name oseg_cbt_steel-pipe 20x50x0.40.ip		Version 1.0	Quantity 1
			Scale 1:1	Sheet 24	Date 04.12.20	




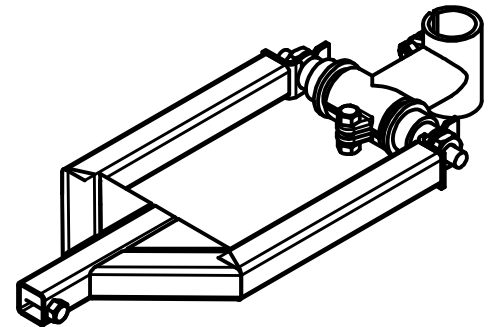
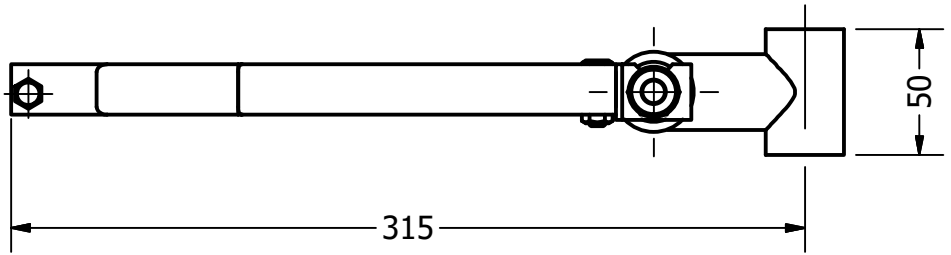
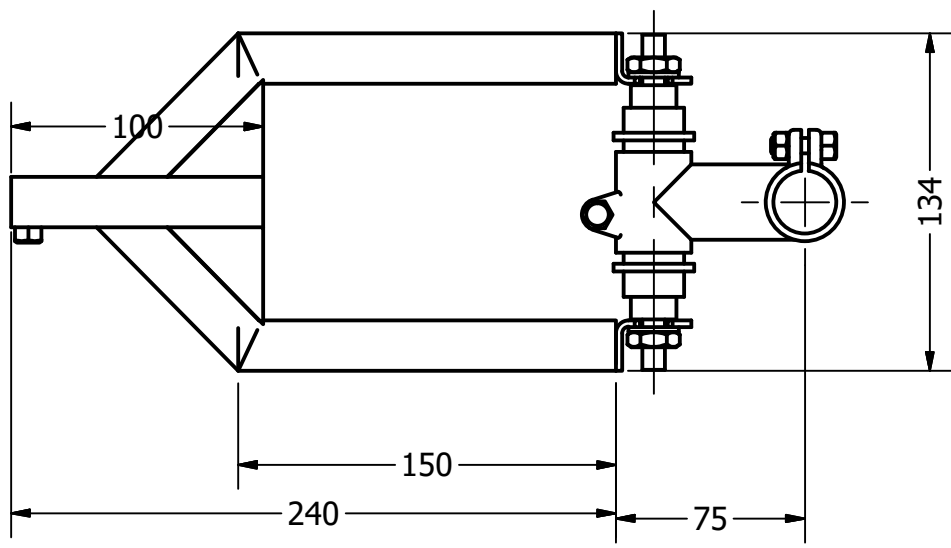
Proyect Crowd bicycle trailer		Created by D. Mosquera		Approved by D. Jeager		
Part Name steel-pipe 20x50x500		Part Code 1.4.3		Document Type Part		Material Iron, Gray
Redesigned by  OPEN SOURCE ECOLOGY GERMANY	Original drawing from Practical ACTION		License CERN-OHL	File Name oseg_cbt_steel-pipe 20x50x0.50.ipt		Version 1.0
			Scale 1:1	Sheet 25	Quantity 1 Date 04.12.20	




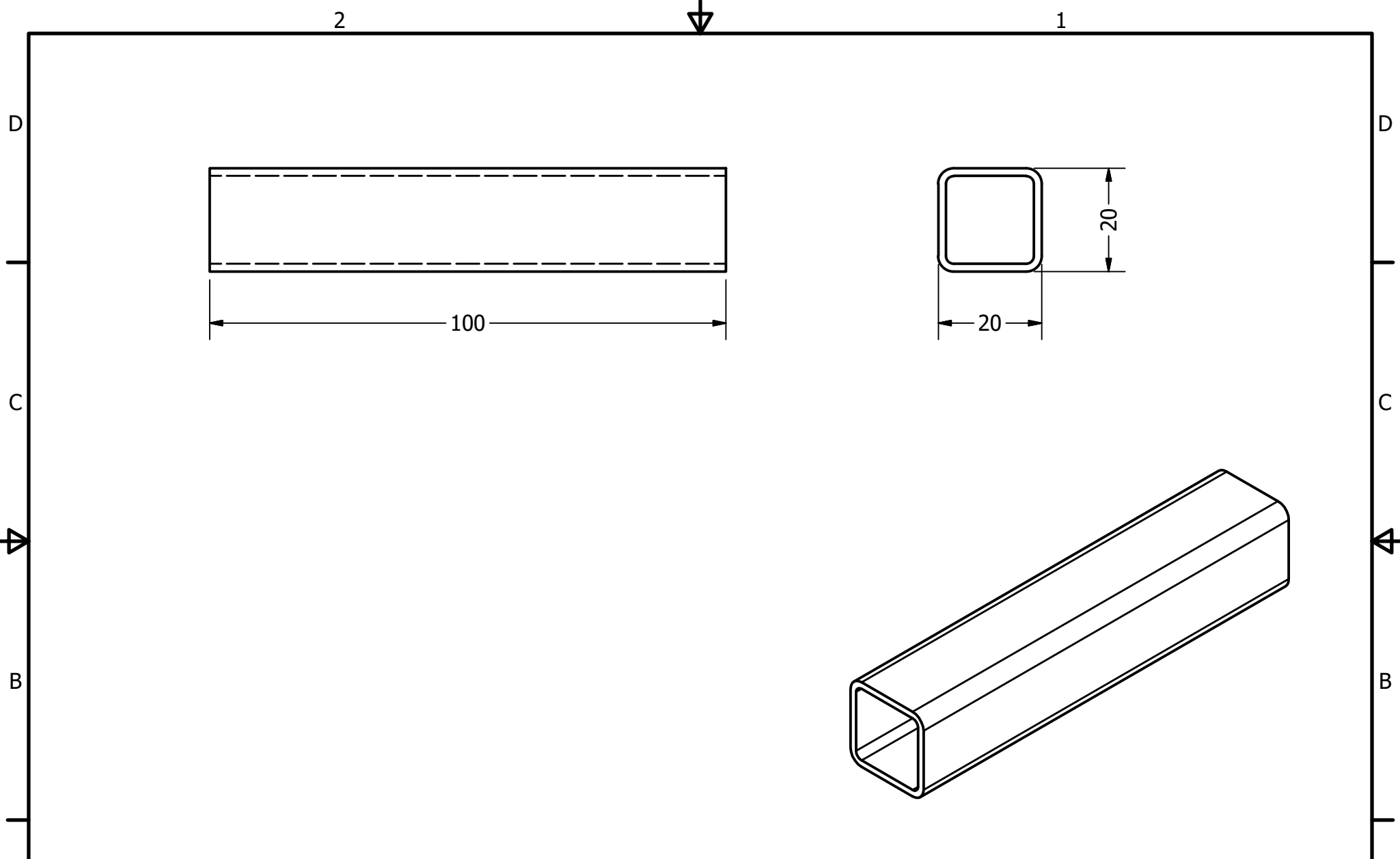
Proyect Crowd bicycle trailer		Created by D. Mosquera		Approved by D. Jeager		
Part Name Bush		Part Code 1.4.4		Document Type Part		Material Iron, Gray
Redesigned by  OPEN SOURCE ECOLOGY GERMANY	Original drawing from Practical ACTION		License CERN-OHL	File Name oseg_cbt_Bush.ipt		Version 1.0
				Scale 1:1	Sheet 26	Quantity 1
					Date 04.12.20	




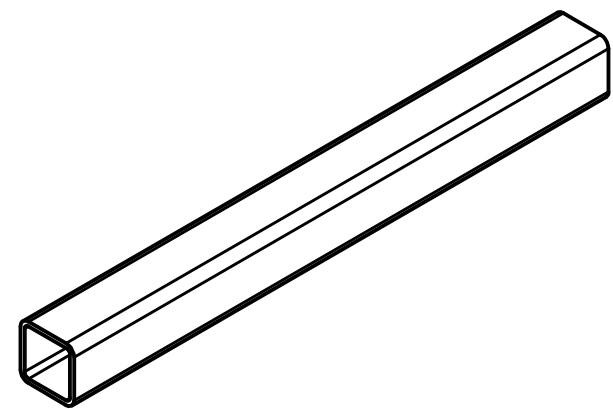
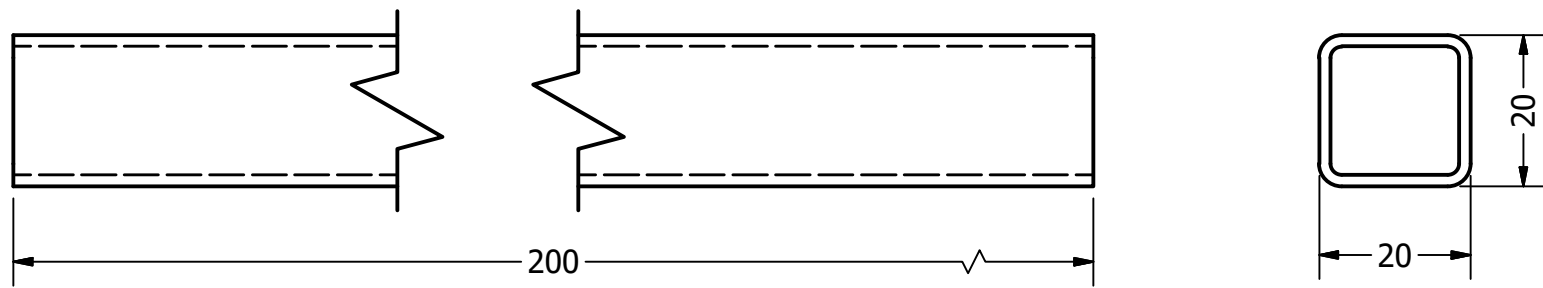
Proyect Crowd bicycle trailer		Created by D. Mosquera		Approved by D. Jeager		
Part Name steel-pipe 20x10x610		Part Code 1.5		Document Type Part		Material Iron, Gray
Redesigned by  OPEN SOURCE ECOLOGY GERMANY	Original drawing from Practical ACTION		License CERN-OHL	File Name oseg_cbt_steel-pipe 20x10x610.ipt		Version 1.0
				Scale 1:1	Sheet 27	Quantity 1
					Date 04.12.20	




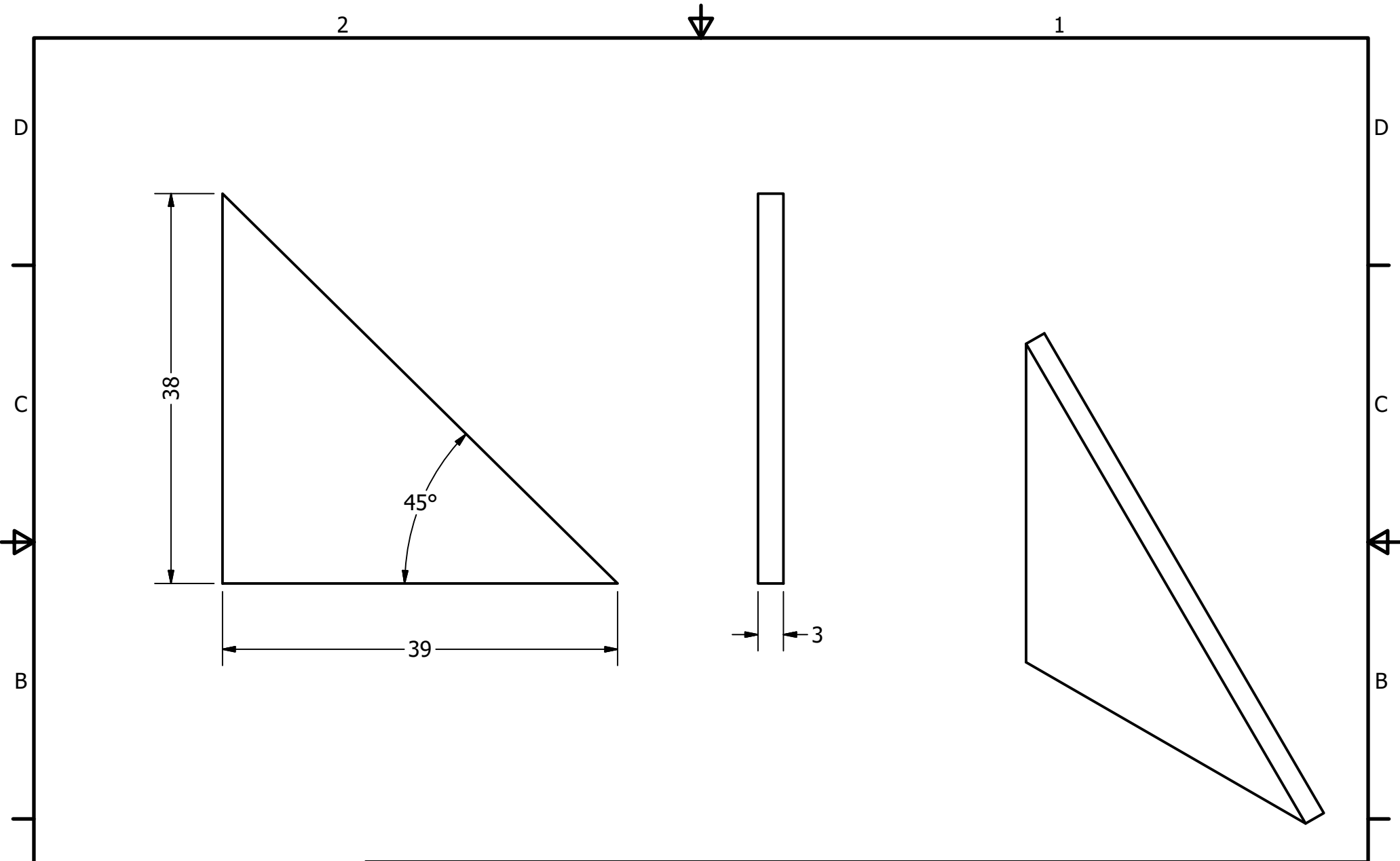
Proyect Crowd bicycle trailer		Created by D. Mosquera		Approved by D. Jeager	
Part Name support fork		Part Code 3		Document Type ASSEMBLY	
Redesigned by  OPEN SOURCE ECOLOGY GERMANY		Original drawing from Practical ACTION		License CERN-OHL	
				File Name oseg_cbt_support fork.iam	
				Version 1.0	
				Quantity 1	
				Scale 1:1	
				Sheet 28	
				Date 04.12.20	




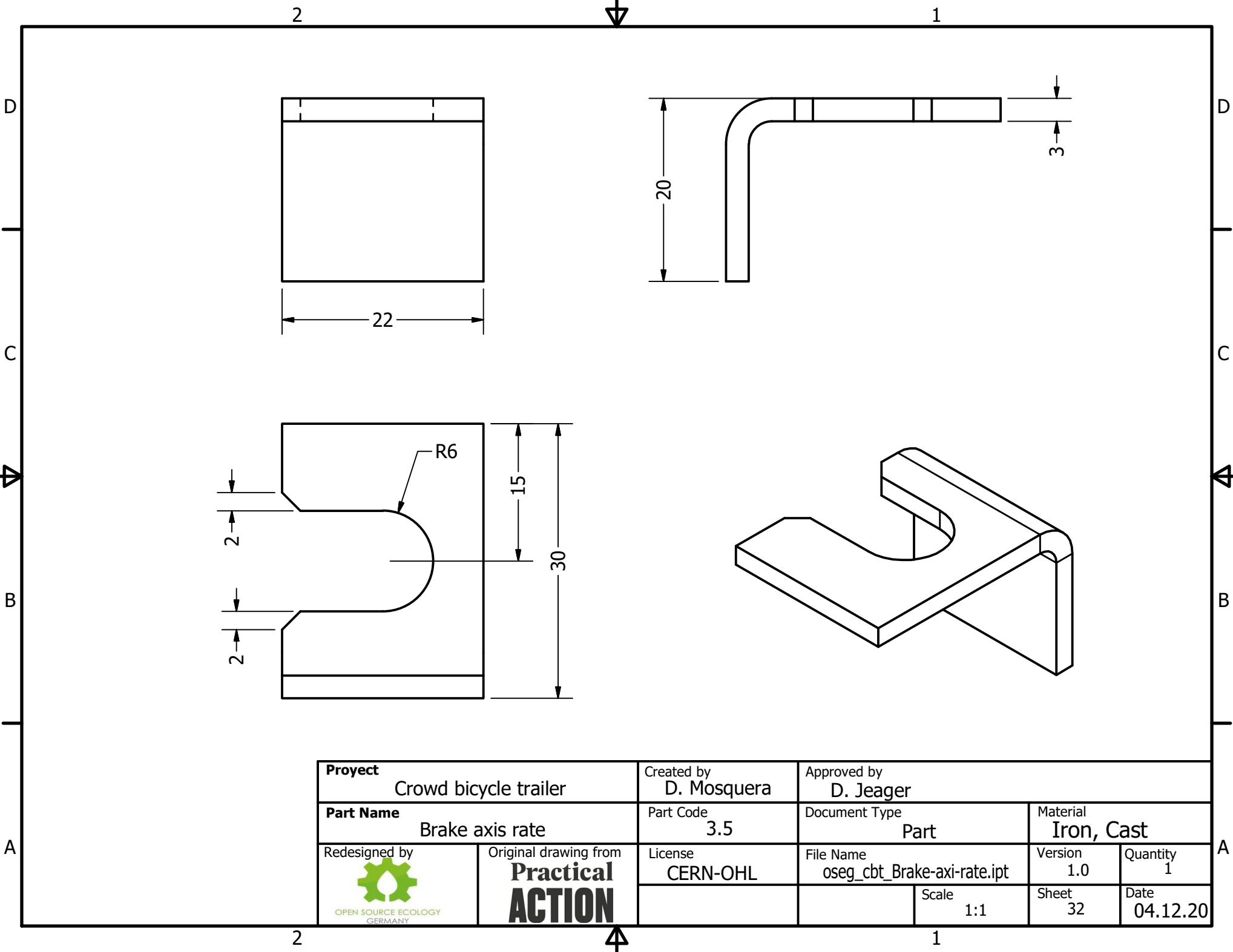
Proyect Crowd bicycle trailer		Created by D. Mosquera		Approved by D. Jeager	
Part Name steel-pipe 20x20x100		Part Code 3.2		Document Type Part	
Redesigned by  OPEN SOURCE ECOLOGY GERMANY		Original drawing from Practical ACTION		File Name oseg_cbt_steel-pipe 20x20x100.ip	
		License CERN-OHL		Version 1.0	
		Scale 1:1		Quantity 1	
				Date 04.12.20	
				Sheet 29	




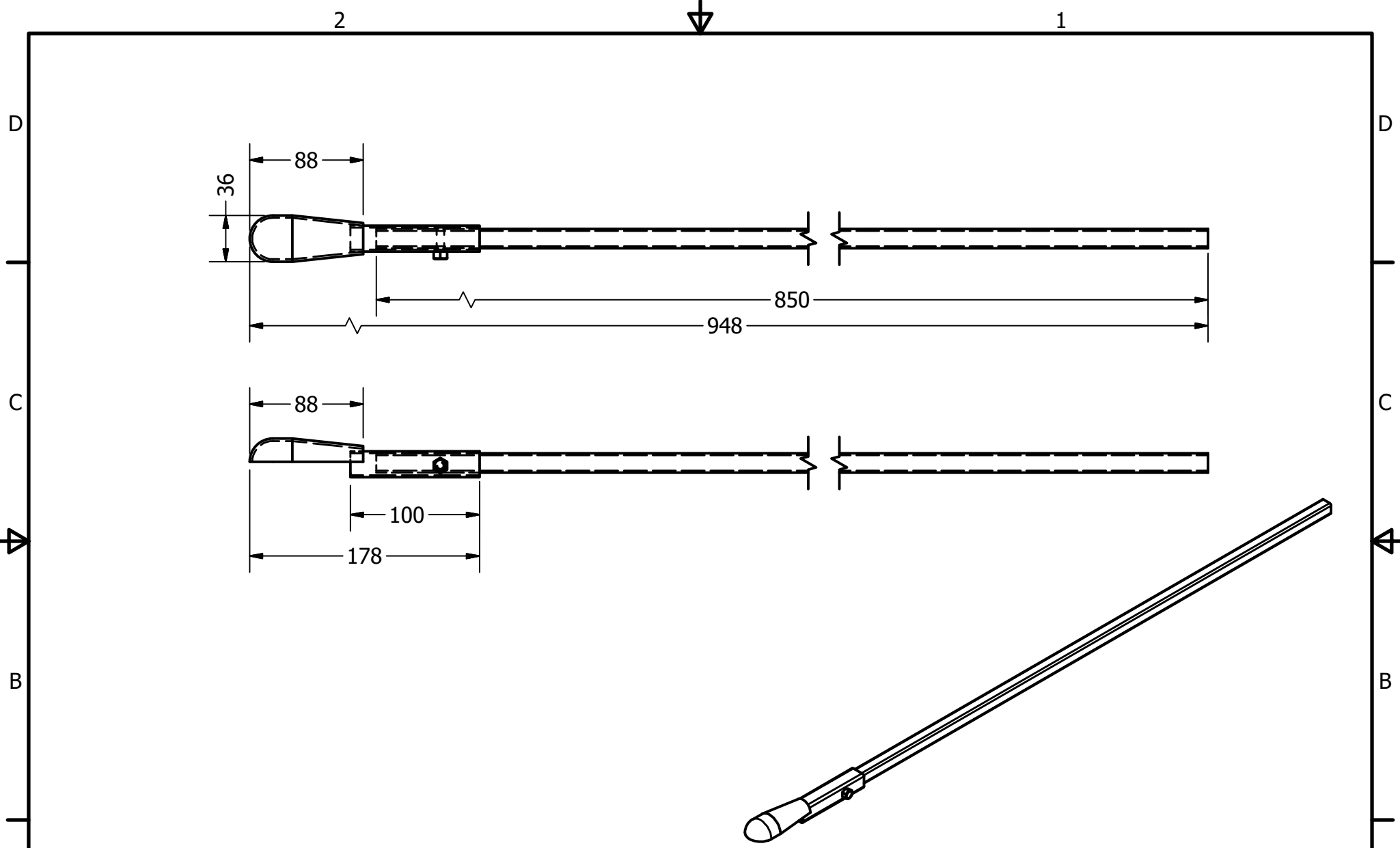
Proyect Crowd bicycle trailer		Created by D. Mosquera		Approved by D. Jeager	
Part Name steel-pipe 20x20x200		Part Code 3.3		Document Type Part	
Redesigned by  OPEN SOURCE ECOLOGY GERMANY		Original drawing from Practical ACTION		File Name oseg_cbt_steel-pipe 20x20x0.20.ipt	
		License CERN-OHL		Version 1.0	
		Scale 1:1		Quantity 1	
				Sheet 30	
				Date 04.12.20	




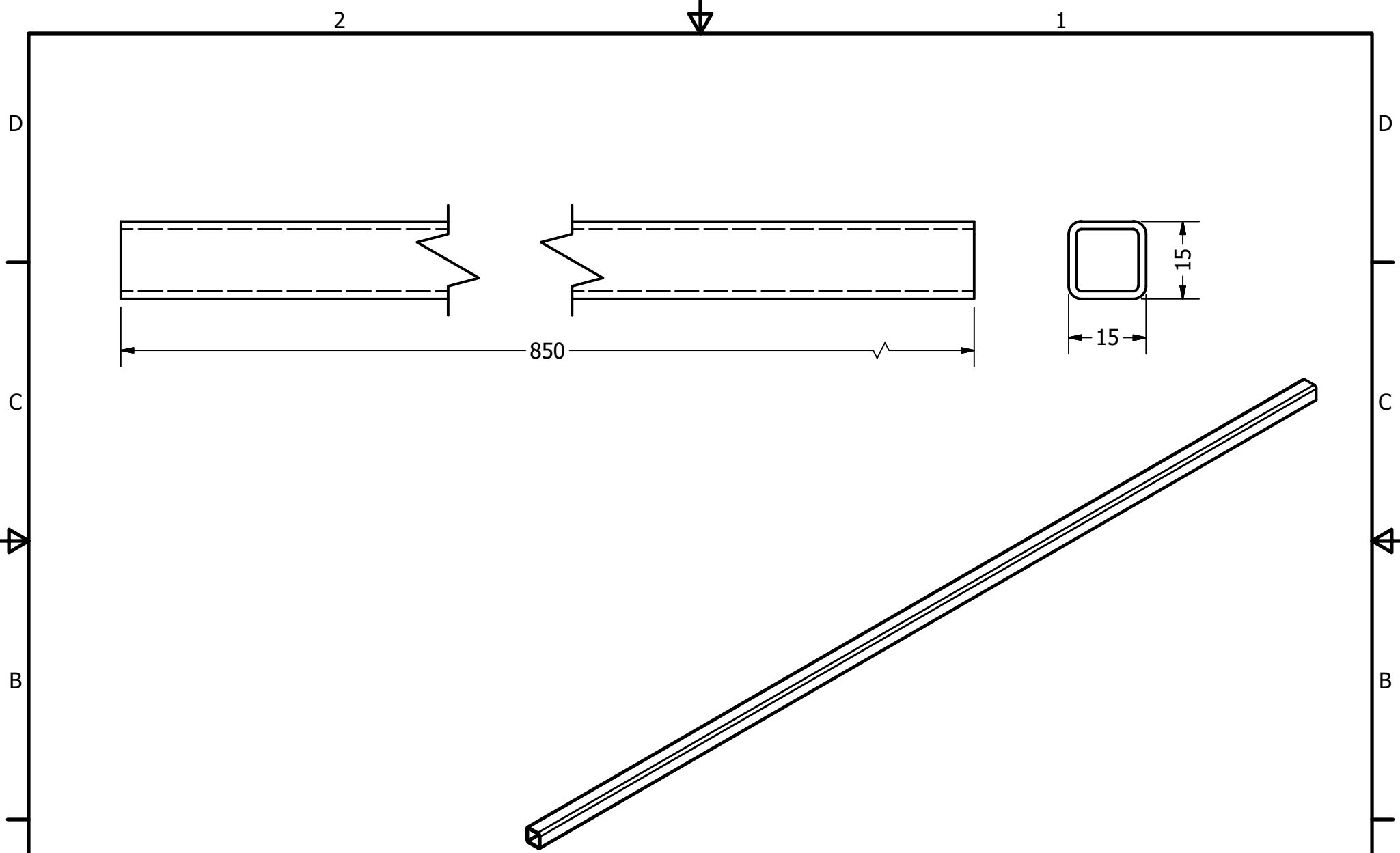
Proyect Crowd bicycle trailer		Created by D. Mosquera		Approved by D. Jeager		
Part Name triangular flancher		Part Code 3.4		Document Type Part		Material Generic
Redesigned by  OPEN SOURCE ECOLOGY GERMANY	Original drawing from Practical ACTION		License CERN-OHL		File Name oseg_cbt_triangular-flancher.ipt	
			Scale 1:1		Version 1.0	Quantity 1
					Sheet 31	Date 04.12.20




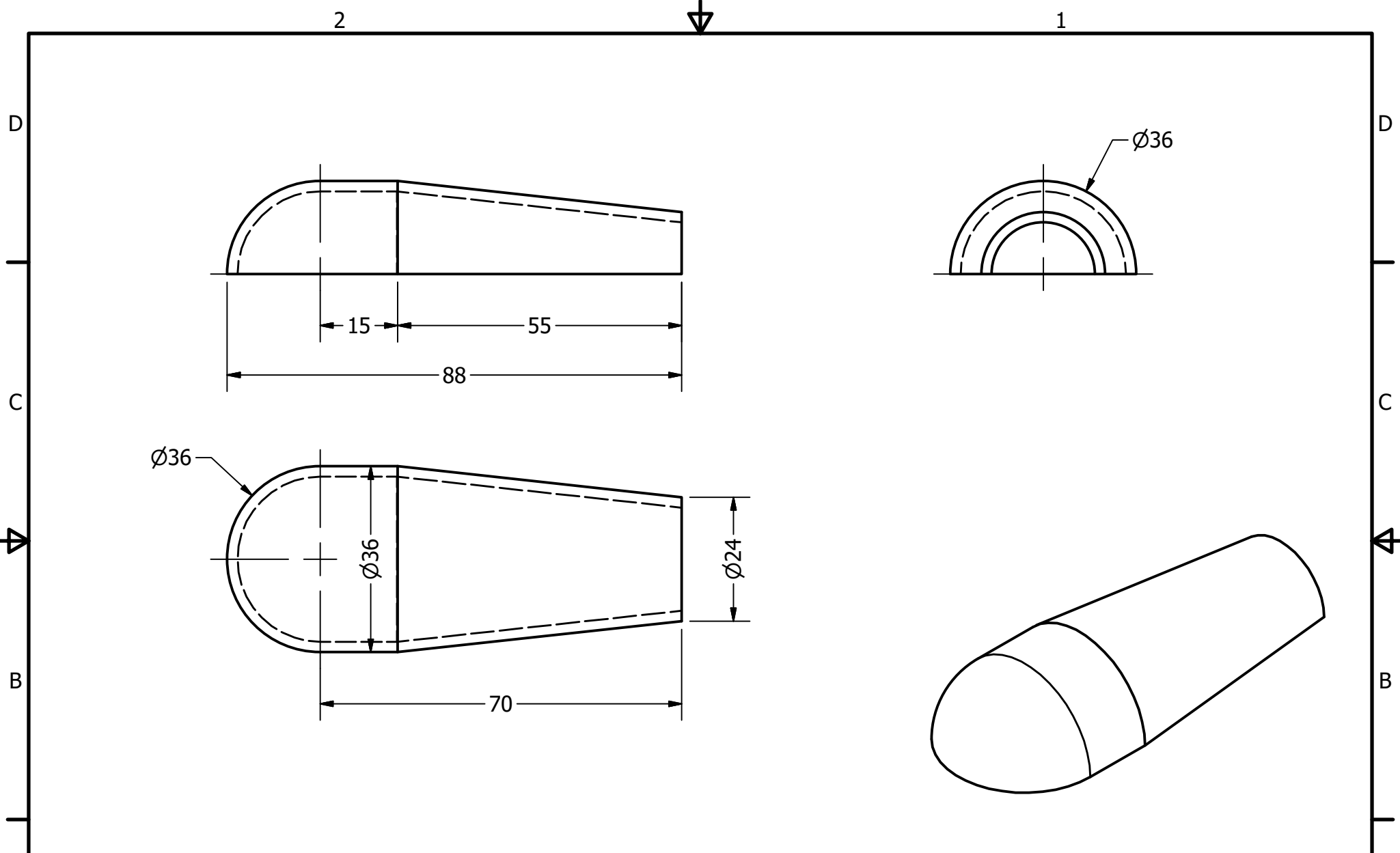
Proyect Crowd bicycle trailer		Created by D. Mosquera		Approved by D. Jeager	
Part Name Brake axis rate		Part Code 3.5	Document Type Part		Material Iron, Cast
Redesigned by  OPEN SOURCE ECOLOGY GERMANY	Original drawing from Practical ACTION	License CERN-OHL	File Name oseg_cbt_Brake-axi-rate.ipt		Version 1.0
			Scale 1:1	Sheet 32	Quantity 1
				Date 04.12.20	




Project Crowd bicycle trailer		Created by D. Mosquera		Approved by D. Jeager	
Part Name tow bar		Part Code 4		Document Type Assembly	
Redesigned by  OPEN SOURCE ECOLOGY GERMANY		Original drawing from Practical ACTION		File Name oseg_cbt_tow bar.iam	
		License CERN-OHL		Version 1.0	
		Scale 1:1		Quantity 1	
				Date 04.12.20	
				Sheet 33	



Proyect Crowd bicycle trailer		Created by D. Mosquera	Approved by D. Jeager		
Part Name Steel pipe 20x20x850		Part Code 4.1	Document Type Part	Material Iron, Gray	
Redesigned by  OPEN SOURCE ECOLOGY GERMANY	Original drawing from Practical ACTION	License CERN-OHL	File Name oseg_cbt_steel-pipe 15x15x0.85.ipt	Version 1.0	Quantity 1
			Scale 1:1	Sheet 34	Date 04.12.20



Proyect Crowd bicycle trailer		Created by D. Mosquera		Approved by D. Jeager	
Part Name coupling		Part Code 4.2		Document Type Part	
Redesigned by  OPEN SOURCE ECOLOGY GERMANY		Original drawing from Practical ACTION		License CERN-OHL	
		File Name oseg_cbt_coupling.ipt		Version 1.0	
		Scale 1:1		Quantity 1	
				Date 04.12.20	
				Sheet 35	