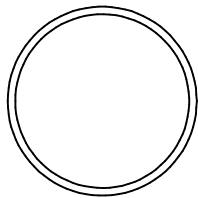
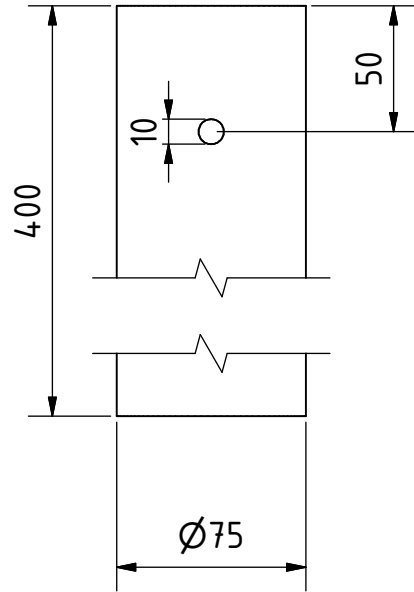
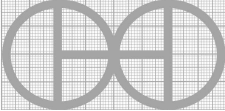


# ISOMETRIC ( 1 : 4 )



Note: All units in mm.

PROJECT	CREATED BY	APPROVED BY	DATE	VERSION
Coconut Drier	J. Zeron	A. Morillo	31/07/2021	1.0
PART NAME	FILE NAME			POS
Tube B	Tube B.ipt			3
DEVELOPED BY	REDESIGNED BY	DOC. TYPE	MATERIAL	QUANTITY
		Part	Black iron A53 schedule 40	1
Gate	OHO e.V.	LICENCE	SCALE	SHEET
		CC-BY-SA 4.0	1:3	7 /9