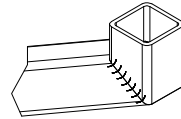
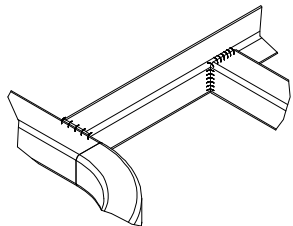


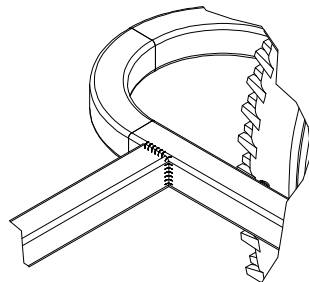
C ( 0.13 : 1 )



BH ( 0.3/1 )



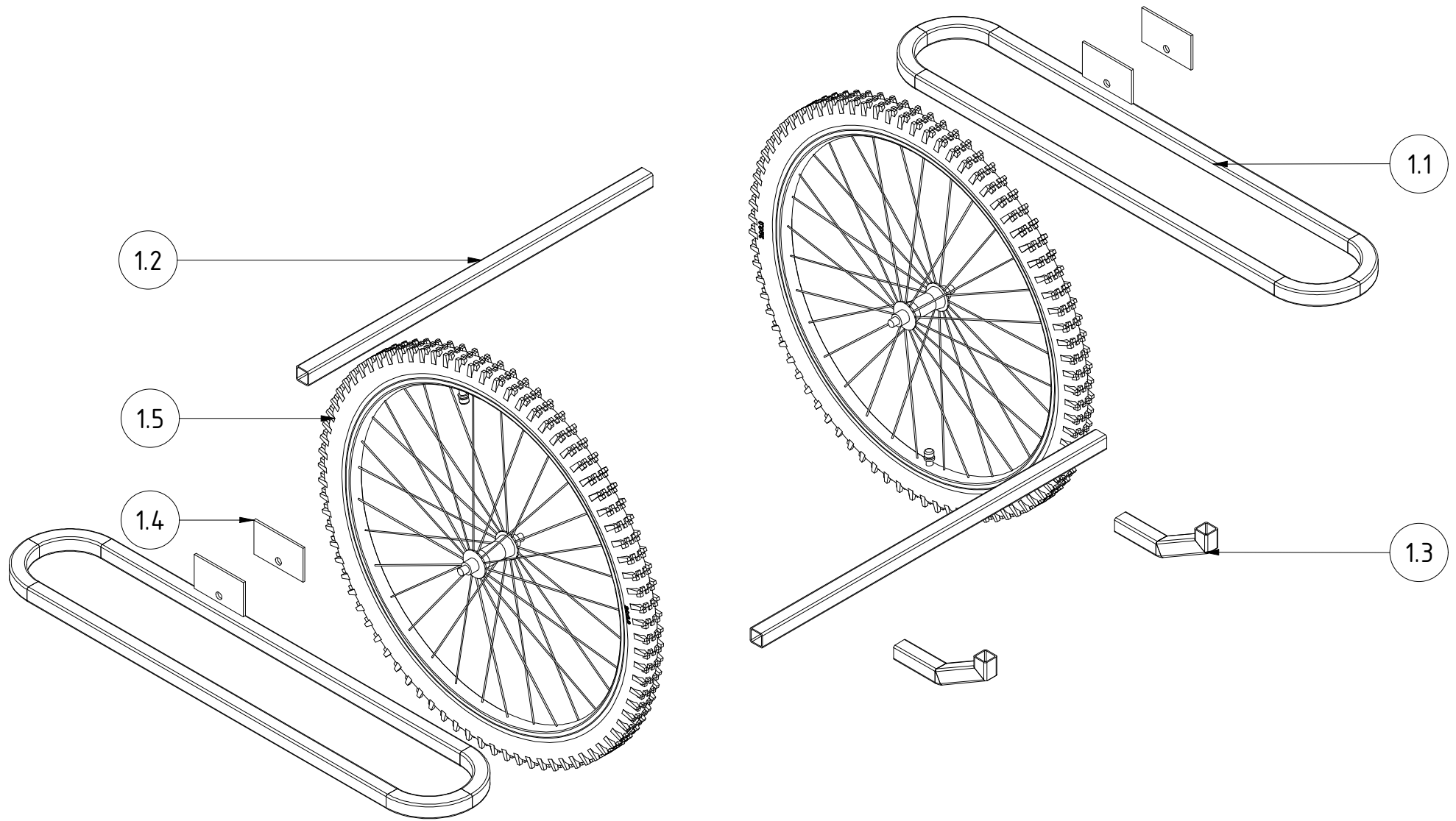
A ( 0.2 : 1 )



B ( 0.2 : 1 )

Note: All units in mm.

PROJECT Convertible Bicycle Trailer for People - with shock absorber		CREATED BY J. Rosciano	APPROVED BY A. Morillo	DATE 26/07/2021	VERSION 1.1
PART NAME Lower frame assembly		FILE NAME Lower frame assembly.iam			POS 1.0
DEVELOPED BY Practical Action	REDESIGNED BY OHO e.V.	DOC. TYPE Assembly	MATERIAL	QUANTITY 1	
		LICENCE CC-BY-SA 4.0		SCALE 1/13	SHEET 7 /51



PROJECT Convertible Bicycle Trailer for People - with shock absorber		CREATED BY J. Rosciano		APPROVED BY A. Morillo		DATE 26/07/2021		VERSION 1.1		
PART NAME Lower frame assembly		FILE NAME Lower frame assembly.ipn							POS 1.0	
DEVELOPED BY Practical Action		REDESIGNED BY OHO e.V.		DOC. TYPE Assembly		MATERIAL		QUANTITY 1		
				LICENCE CC-BY-SA 4.0		SCALE 1/8		SHEET 8 /51		