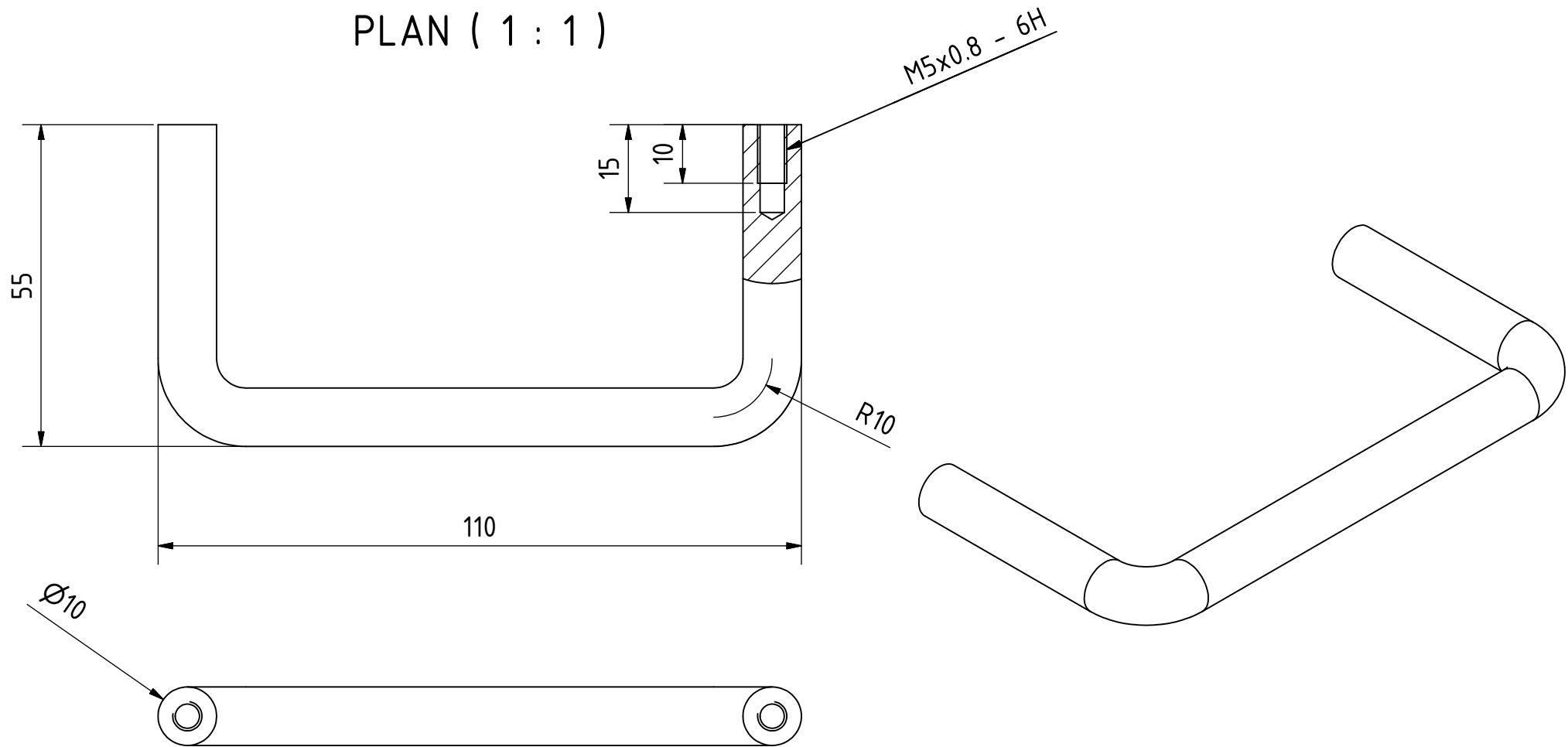



PLAN ( 1 : 1 )



Note: All units in mm.

PROJECT	CREATED BY	APPROVED BY	DATE	VERSION
Fish Dryer Smoker	J. Zeron	A. Morillo	09/08/2021	1.0
PART NAME	FILE NAME			POS
Handle	Handle.ipt			12
DEVELOPED BY	REDESIGNED BY	DOC. TYPE	MATERIAL	QUANTITY
		Part	Steel A36	16
International Labour Office	OHO e.V.	LICENCE	SCALE	SHEET
		CC-BY-SA 4.0	1:2	9 /12