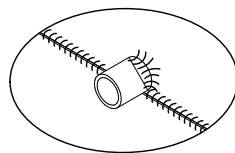
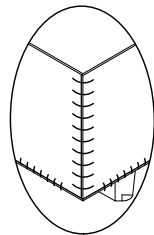


K (1:5)

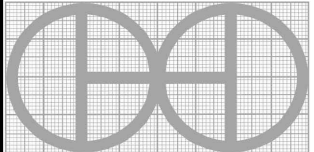


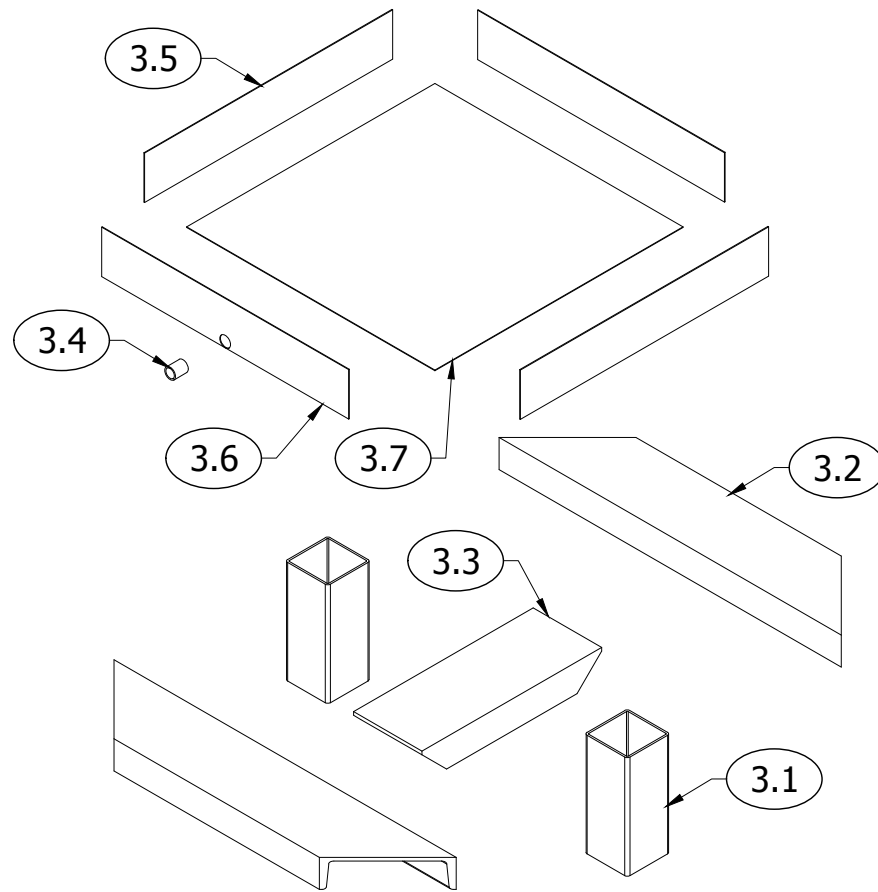
L (1:5)



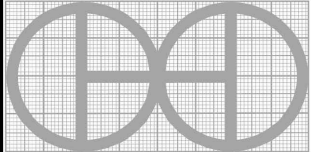
M (1:5)

Note: All units in mm.

PROJECT	CREATED BY	APPROVED BY	DATE	VERSION
Juice press w. 12 to 20 ton Jack	E. Araujo	A. Morillo	27/09/2021	1.0
PART NAME	FILE NAME	POS		
Press base	ss_jpj_juice_press_with_12_to_20_ton_jack.dwg	3.0		
DEVELOPED BY	REDESIGNED BY	DOC. TYPE	MATERIAL	QUANTITY
Active Commons e.V. - LandKombinat e.V.		OHO e.V.	Assembly	1
		LICENCE	SCALE	SHEET
		CC-BY-SA 4.0	1:10	20/28



Note: All units in mm.

PROJECT	CREATED BY	APPROVED BY	DATE	VERSION
Juice press w. 12 to 20 ton Jack	E. Araujo	A. Morillo	27/09/2021	1.0
PART NAME	FILE NAME			POS
Press base	ss_jpj_juice_press_with_12_to_20_ton_jack.dwg			3.0
DEVELOPED BY	REDESIGNED BY	DOC. TYPE	MATERIAL	QUANTITY
Active Commons e.V. - LandKombinat e.V.	 OHO e.V.	Assembly		1
		LICENCE	SCALE	SHEET
		CC-BY-SA 4.0	1:15	21/28