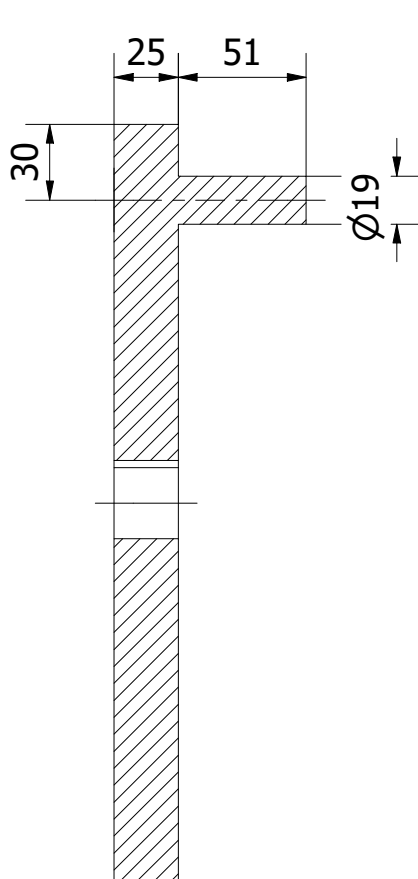
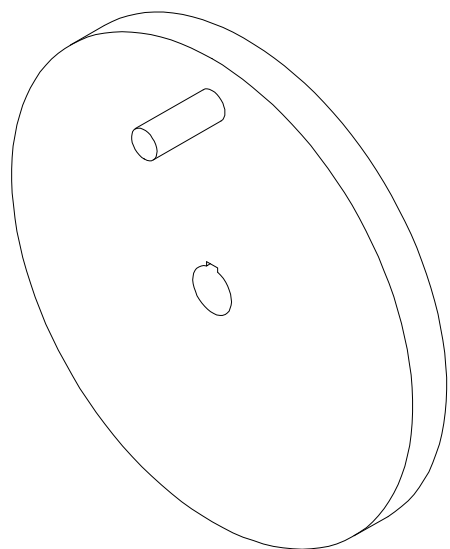
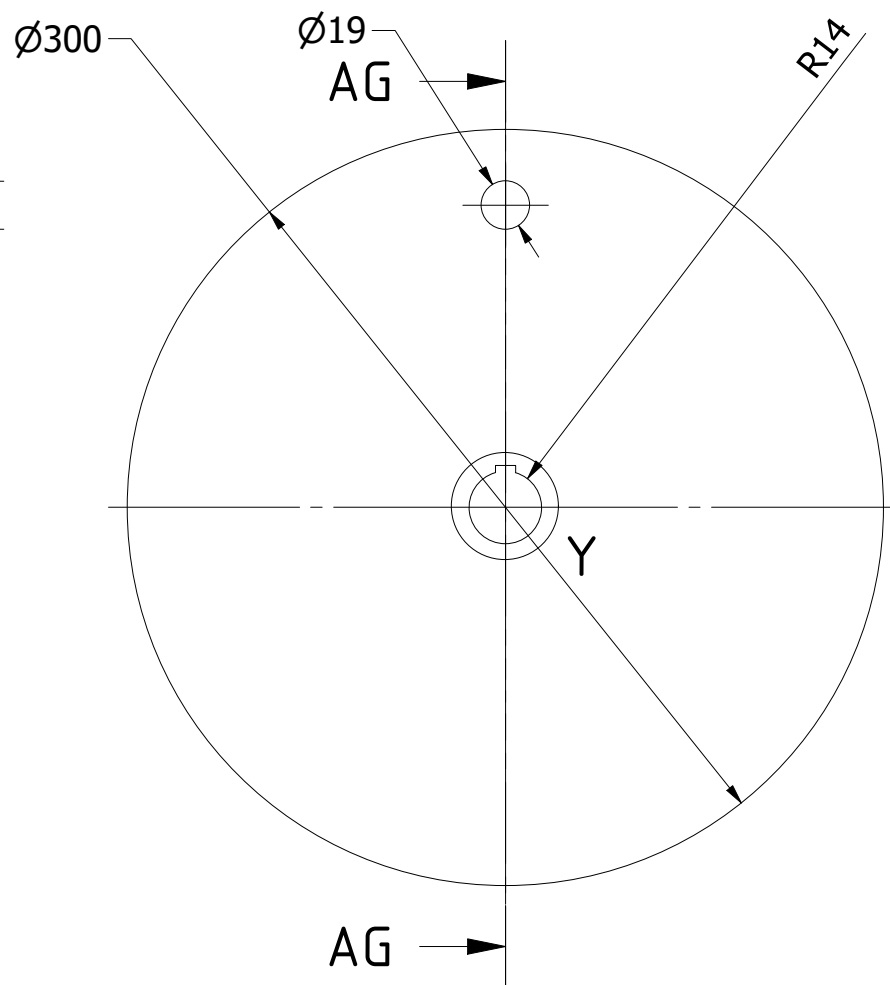



Y (1/1)



AG-AG (1 : 3)



Note: All units in mm.

PROJECT Wind turbine with vertical metal drum sails	CREATED BY J. Rosciano	APPROVED BY A. Morillo	DATE 27/10/2021	VERSION 1.1
PART NAME Pump stroke	FILE NAME Pump stroke.ipt			POS 2.6
PUBLISHED BY  OPEN HARDWARE OBSERVATORY Free Blueprints for Sustainable Development	DOC. TYPE Part LICENCE	MATERIAL DIN C45	SCALE 1/3	QUANTITY 1 SHEET 19 /41
OHO e.V.	CC-BY-SA 4.0			