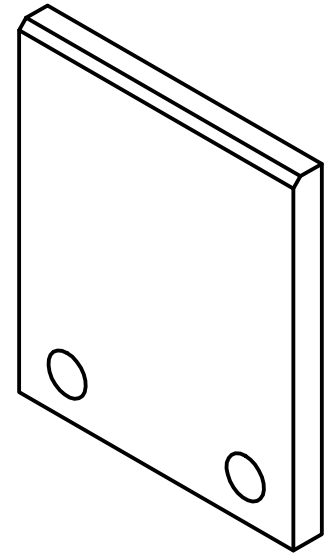




SECTION B-B  
SCALE 1 : 1



PROJECT <b>BENCH VICE</b>	CREATED BY <b>A. PARDO</b>	APPROVED BY		
PART NAME <b>SLIDE TOWER</b>	PART CODE <b>2.2</b>	DOCUMENT TYPE <b>PART</b>	MATERIAL <b>STEEL METAL</b>	
 <small>OPEN SOURCE ECOLOGY GERMANY</small>	LICENSE 	FILE NAME slide tower.ipt	VERSION 1.0	QUANTITY 1
		SCALE 1 : 1	SHEET 10/21	DATE 29/3/2020